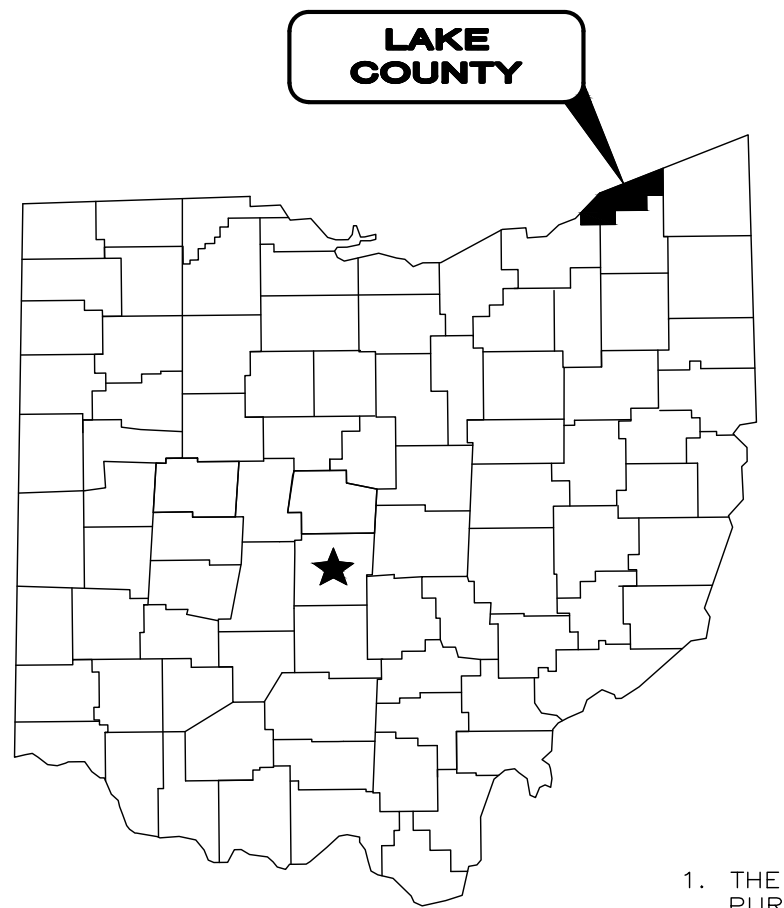


CITY OF MENTOR PRESIDENT'S PARK PATHWAY LAKE COUNTY, OHIO

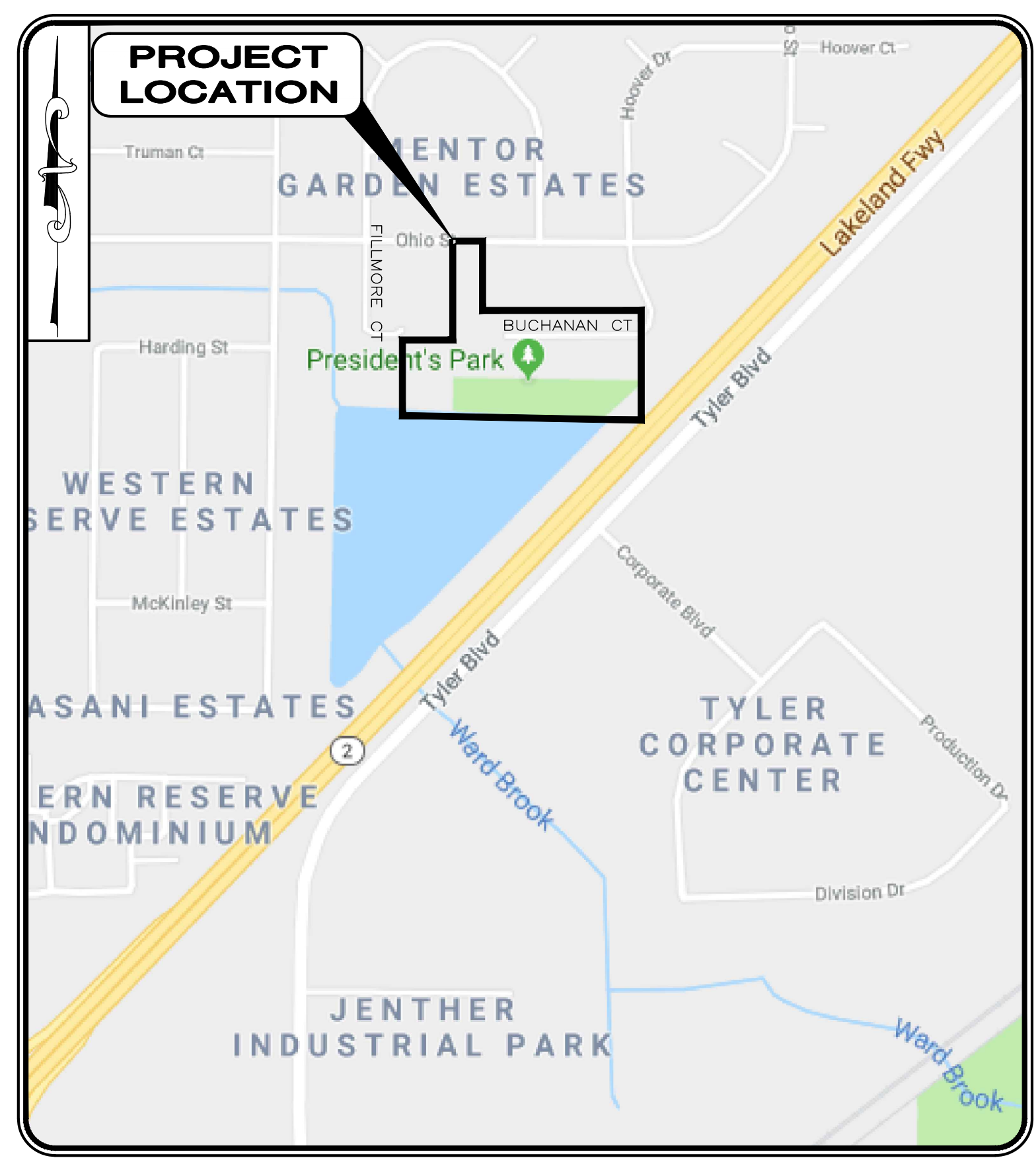
| INDEX OF SHEETS | |
|----------------------|--------------|
| SHEET TITLE: | SHEET NUMBER |
| COVER SHEET | 1 |
| GENERAL NOTES | 2 |
| EXISTING CONDITIONS | 3 |
| PLAN SHEETS | 4-5 |
| CONSTRUCTION DETAILS | 6 |
| EROSION CONTROL PLAN | 7-8 |



OHIO811
Before You Dig
1-800-362-2764
CALL TWO WORKING DAYS BEFORE YOU DIG
(NON MEMBERS MUST BE CALLED DIRECTLY)

1. THE SURVEY SHOWN ON THESE PLANS WAS OBSERVED IN THE FIELD FOR CONSTRUCTION PURPOSES ONLY AND MAY NOT BE SUITABLE FOR PROPERTY LINE SURVEYS OR ANY OTHER PURPOSE.
2. UNDERGROUND BUILDING SERVICE UTILITY LINES ARE NOT SHOWN ON THE PLANS. THE CONTRACTOR SHALL BE RESPONSIBLE FOR LOCATING, MAINTAINING AND REPLACING AS NECESSARY TO ENSURE CONTINUAL SERVICE TO BUILDINGS.
3. THE CONTRACTOR IS RESPONSIBLE TO CALL OHIO UTILITIES PROTECTION SERVICE © 1-800-362-2764, THREE WORKING DAYS PRIOR TO CONSTRUCTION.

FEBRUARY, 2020



LOCATION MAP
N.T.S.

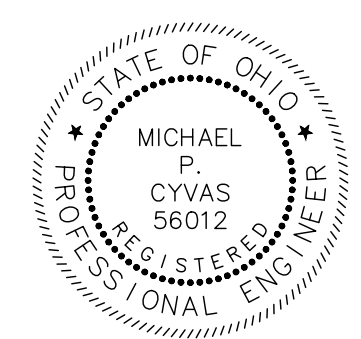
MEMBERS OF COUNCIL

- PRESIDENT OF COUNCIL BRUCE R. LANDEG WARD 3
 VICE PRESIDENT OF COUNCIL MATTHEW E. DONOVAN WARD 2
- SEAN P. BLAKE WARD 1
 JOHNA. KRUEGER WARD 4
- JANET A. DOWLING COUNCILWOMAN-AT-LARGE
 RAY KIRCHNER COUNCILMAN-AT-LARGE
 SCOTT J. MARN COUNCILMAN-AT-LARGE
 JULIE SCHIAVONI CLERK OF COUNCIL

OFFICIALS

- CITY MANAGER.KENNETH J. FILIPIAK
 LAW DIRECTOR.JOSEPH P. SZEMAN
 CITY ENGINEER.DAVID A. SWIGER, P.E.
 DIRECTOR OF PUBLIC WORKS.MATTHEW A. SCHWEIKERT
 FINANCE DIRECTOR.DAVID W. MALINOWSKI
 DIRECTOR OF ECONOMIC & COMMUNITY DEVELOPMENT.KEVIN MALECEK
 CHIEF OF POLICE.KENNETH GUNSCH
 FIRE CHIEF.ROBERT SEARLES
 PARKS, RECREATION AND PUBLIC FACILITIES DIRECTOR.KENN KAMINSKI

Michael P. Cyvas
 MICHAEL P. CYVAS



ENGINEER'S PROJECT No. 200297

02/18/2020
DATE

P.E. No. 56012

H:\2020\200297\DWG\SHEETS\C_200297_PRESIDENTS PARK_COVER.DWG - 2/18/2020 11:34:59 AM - LULASH

GENERAL

A PRECONSTRUCTION CONFERENCE SCHEDULED BY THE CITY OF MENTOR ENGINEER SHALL BE HELD PRIOR TO ANY WORK STARTING. IN ADDITION, THE CONTRACTOR SHALL PROVIDE 48 HOURS NOTICE TO THE MENTOR CITY ENGINEER.

THE IMPROVEMENT PLANS HAVE BEEN DESIGNED IN ACCORDANCE WITH THE APPLICABLE RULES AND REGULATIONS OF THE THE CITY OF MENTOR, AS WELL AS THE CONSTRUCTION AND MATERIAL SPECIFICATIONS OF THE OHIO DEPARTMENT OF TRANSPORTATION, 2019 EDITION, INCLUDING ALL SUPPLEMENTAL SPECIFICATIONS AND DRAWINGS, SHALL GOVERN THIS PROJECT. FOR PURPOSES OF THIS PLAN, REFERENCES TO DIRECTOR OR ENGINEER SHALL BE CONSTRUED TO MEAN THE MENTOR CITY ENGINEER AND/OR HIS REPRESENTATIVE.

ALL WORK CONTEMPLATED SHALL BE GOVERNED BY THE RULES, REGULATIONS AND SPECIFICATIONS OF THE CITY OF MENTOR ENGINEER.

ALL WORK CONTEMPLATED UNDER THIS CONTRACT SHALL COMPLY WITH THE U.S. DEPARTMENT OF LABOR OCCUPATIONAL SAFETY AND HEALTH ACT.

MATERIAL TESTING AND PERMITS

THE CONTRACTOR SHALL BE RESPONSIBLE FOR THE COST OF ALL MATERIAL AND EQUIPMENT TESTING. THE CONTRACTOR SHALL BE RESPONSIBLE FOR OBTAINING ALL PERMITS REQUIRED FOR THIS PROJECT. THE EXECUTED PROJECT CONTRACT SHALL SERVE TO FULFILL THE CITY OF MENTOR'S PERMITTING REQUIREMENTS.

CLEARING AND GRUBBING

ALL TREES, STUMPS, ROOTS AND DEBRIS REMOVED FROM THE WORK LIMITS SHALL BE DISPOSED OF BY THE CONTRACTOR OFF-SITE AT A LOCATION ACCEPTABLE TO THE ENGINEER.

UTILITIES

THE LOCATION OF ALL EXISTING UTILITY FACILITIES ARE SHOWN ON THE PLANS FROM DATA AVAILABLE AT THE TIME OF THE FIELD SURVEY IN ACCORDANCE WITH SECTION 153.64 OF THE OHIO REVISED CODE. THE CONTRACTOR SHALL BE RESPONSIBLE FOR NOTIFICATION OF THE EXISTING UTILITY OWNERS AND UTILITY PROTECTION SERVICE LISTED BELOW IN ACCORDANCE WITH SECTION 154.64 OF THE ORC AND AS OUTLINED IN THE PROJECT SPECIFICATIONS.

THE UTILITY OWNERSHIPS ARE AS FOLLOWS:

| | | |
|---|---|---|
| OHIO UTILITY PROTECTION SERVICE 106 WEST RYEN, ROOM 427 YOUNGSTOWN, OHIO 44051 PHONE: (800) 362-2746 | DOMINION EAST OHIO 320 SPRINGSIDE DRIVE, SUITE 320 AKRON, OHIO 44333 PHONE: (330) 664-2409 | LAKE COUNTY DEPT. OF UTILITIES 105 MAIN STREET PAINESVILLE, OHIO 44077 PHONE: (440) 350-2652 |
|---|---|---|

| | | |
|--|--|--|
| CITY OF MENTOR 8500 CIVIC CENTER BOULEVARD MENTOR, OHIO 44060 PHONE: (440) 255-1100 | AQUA OHIO INC. 8644 STATION STREET MENTOR, OHIO 44060 PHONE: (440) 255-3984 | AT&T 13630 LORAIN AVE. ROOM 400 CLEVELAND, OHIO 44111 PHONE: (216) 476-6142 |
|--|--|--|

| | |
|--|---|
| THE ILLUMINATING CO. 6896 MILLER ROAD BRECKSVILLE, OHIO 44141 PHONE: (440) 717-6845 | CHARTER COMMUNICATIONS (TIME WARNER CABLE) 7820 DIVISION DRIVE MENTOR, OHIO 44060 PHONE: (440) 974-3401 |
|--|---|

THE OWNER OF THE UNDERGROUND UTILITY FACILITY SHALL, WITHIN 48 HOURS, EXCLUDING SATURDAY, SUNDAYS AND LEGAL HOLIDAYS, AFTER NOTICE IS RECEIVED, STAKE, MARK OR OTHERWISE DESIGNATE THE LOCATION OF THE UNDERGROUND UTILITY FACILITIES IN THE CONSTRUCTION AREA IN SUCH A MANNER AS TO INDICATE THEIR COURSE TOGETHER WITH THE APPROXIMATE DEPTH AT WHICH THEY WERE INSTALLED. THE MARKING OR LOCATING SHALL BE COORDINATED TO STAY APPROXIMATELY TWO (2) DAYS AHEAD OF THE PLANNED CONSTRUCTION.

PROTECTION AND RESTORATION OF PROPERTY

THE CONTRACTOR SHALL BE RESPONSIBLE FOR THE PRESERVATION OF ALL PUBLIC AND PRIVATE PROPERTY.

THE CONTRACTOR SHALL BE RESPONSIBLE FOR ALL DAMAGE OR INJURY TO PROPERTY AND/OR PERSONS DURING THE PROSECUTION OF THE WORK, RESULTING FROM ANY ACT, OMISSION, NEGLIGENCE OR MISCONDUCT IN HIS MANNER OR METHOD OF EXECUTING THE WORK, OR AT ANY TIME DUE TO DEFECTIVE WORK OR MATERIALS, AND SAID RESPONSIBILITY WILL NOT BE RELEASED UNTIL THE PROJECT SHALL HAVE BEEN COMPLETED AND ACCEPTED.

DUST NUISANCE ORIGINATING FROM ANY OF THE CONTRACTOR'S OPERATIONS EITHER INSIDE OR OUTSIDE THE RIGHT-OF-WAY SHALL BE CONTROLLED BY THE CONTRACTOR IN ACCORDANCE WITH LOCAL ORDINANCES AND REGULATIONS AT THE SOLE EXPENSE OF THE CONTRACTOR.

WHEN OR WHERE ANY DIRECT OR INDIRECT DAMAGE OR INJURY IS DONE TO PUBLIC OR PRIVATE PROPERTY BY OR ON ACCOUNT OF ANY ACT, OMISSION, NEGLIGENCE OR MISCONDUCT IN THE EXECUTION OF THE WORK, OR IN CONSEQUENCE OF THE NONEXECUTION THEREOF BY THE CONTRACTOR, HE SHALL RESTORE, AT HIS OWN EXPENSE, SUCH PROPERTY TO A CONDITION SIMILAR OR EQUAL TO THAT EXISTING BEFORE SUCH DAMAGE OR INJURY WAS DONE BY REPAIRING, REBUILDING OR OTHERWISE RESTORING AS MAY BE DIRECTED, OR SHALL MAKE GOOD SUCH DAMAGE OR INJURY IN AN ACCEPTABLE MANNER.

WHEN MAIL BOXES, ROAD OR STREET NAME SIGNS AND SUPPORTS INTERFERE WITH CONSTRUCTION, THE CONTRACTOR SHALL REMOVE AND REERECT THEM IN A TEMPORARY LOCATION DURING CONSTRUCTION IN A MANNER SATISFACTORY TO AND AS DIRECTED BY THE ENGINEER. AFTER COMPLETION OF THE CONSTRUCTION AND BEFORE FINAL ACCEPTANCE OF THE PROJECT, THE CONTRACTOR SHALL ERECT THE MAIL BOXES, ROAD OR STREET NAME SIGNS AND SUPPORTS IN THEIR ORIGINAL LOCATION UNLESS OTHERWISE DIRECTED BY THE ENGINEER. PAYMENT FOR THIS WORK SHALL BE INCLUDED IN THE PRICE BID FOR CLEARING AND GRUBBING.

REMOVAL ITEMS

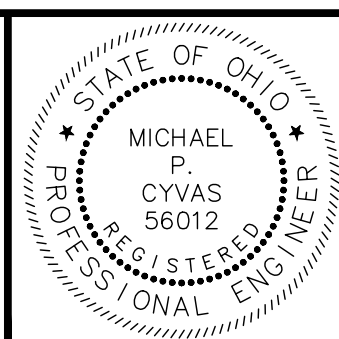
ALL ITEMS NOTED ON THE PLANS TO BE REMOVED BY THE CONTRACTOR SHALL BECOME THE PROPERTY OF THE CONTRACTOR AND SHALL BE DISPOSED OF IN AN APPROPRIATE MANNER BY THE CONTRACTOR UNLESS OTHERWISE NOTED.

CONTINGENCY ITEMS

THE CONTRACTOR SHALL NOT ORDER MATERIALS OR PERFORM WORK FOR ITEMS DESIGNATED BY PLAN NOTE FOR USE "AS DIRECTED BY THE ENGINEER" UNLESS AUTHORIZED BY THE ENGINEER. THE ACTUAL WORK LOCATIONS AND QUANTITIES USED AT THE ENGINEER'S DISCRETION SHALL BE MADE A MATTER OF RECORD BY INCORPORATION INTO THE FINAL CHANGE ORDER GOVERNING COMPLETION OF THIS PROJECT.

VIDEOTAPING

THE CONTRACTOR SHALL PROVIDE ABOVE GROUND VIDEOTAPING OF ALL WORK AREAS PRIOR TO THE BEGINNING OF THE WORK. THE CONTRACTOR SHALL NOT START WORK UNTIL SUCH TIME AS THE ENGINEER HAS BEEN PROVIDED A COPY OF THE COMPLETE VIDEO.



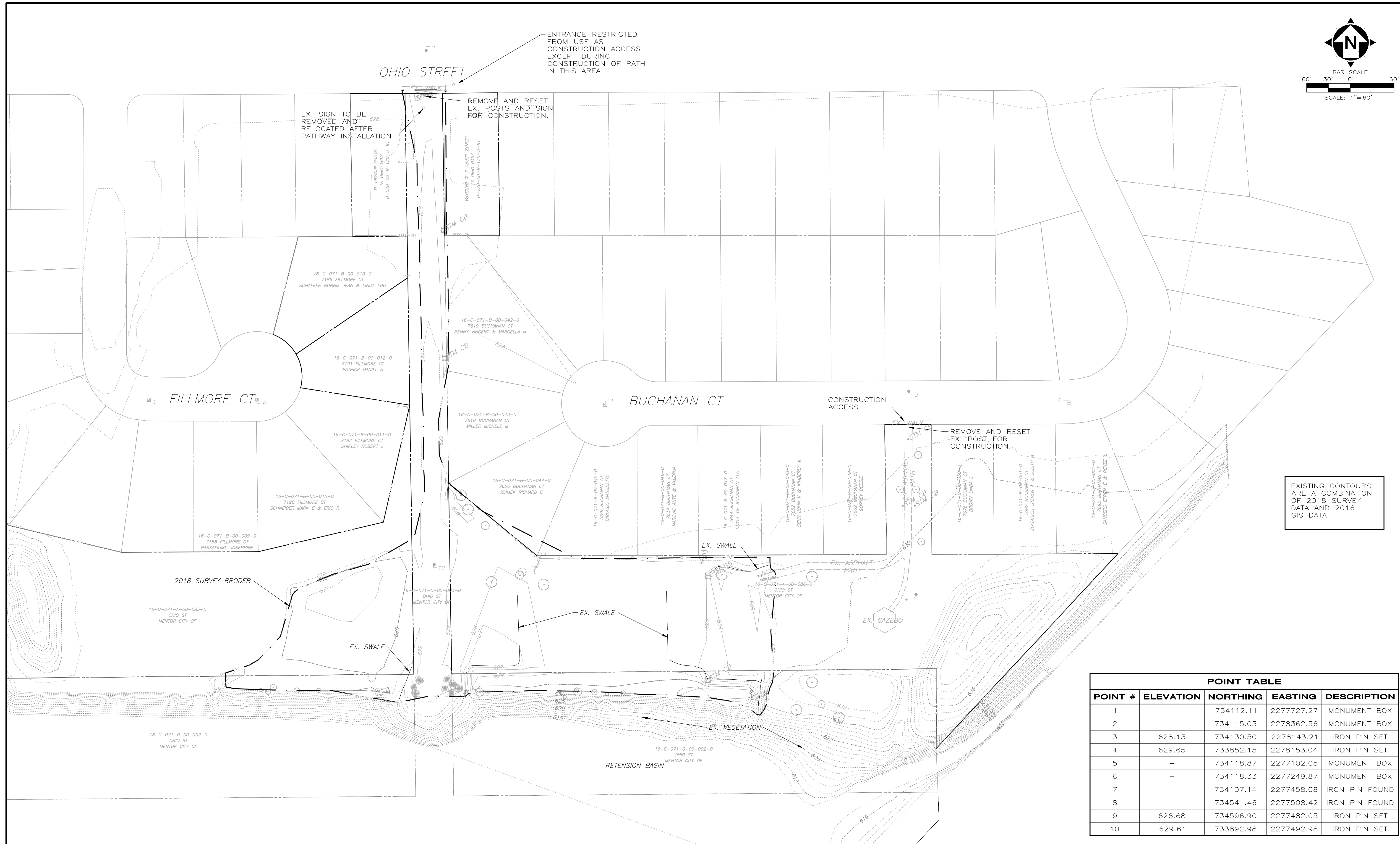
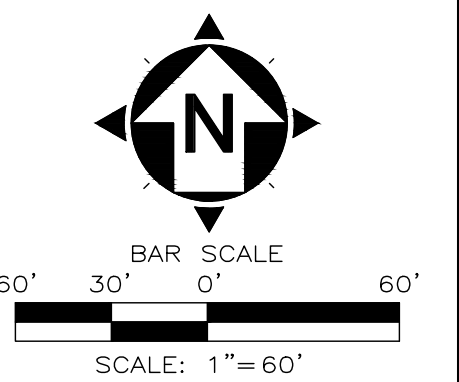
| NO | REVISION | DATE |
|----|----------|------|
| | | |
| | | |
| | | |
| | | |
| | | |
| | | |
| | | |
| | | |

**THE CITY OF MENTOR
PRESIDENTS PARK PATHWAY
LAKE COUNTY, OH**

| |
|------------------|
| SCALE: AS SHOWN |
| DATE: 02/18/2020 |
| DESIGNED BY: MPC |
| DRAWN BY: JPL |
| CHECKED BY: MPC |

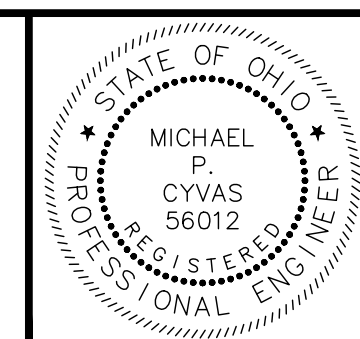
GENERAL NOTES

| | |
|------------------------------|----------------|
| PROJECT NO: 200297 | |
| DRAWING NAME GN-01 | |
| SHEET 2 | OF 8 |



EXISTING CONTOURS ARE A COMBINATION OF 2018 SURVEY DATA AND 2016 GIS DATA

| POINT TABLE | | | | |
|-------------|-----------|-----------|------------|----------------|
| POINT # | ELEVATION | NORTHING | EASTING | DESCRIPTION |
| 1 | - | 734112.11 | 2277727.27 | MONUMENT BOX |
| 2 | - | 734115.03 | 2278362.56 | MONUMENT BOX |
| 3 | 628.13 | 734130.50 | 2278143.21 | IRON PIN SET |
| 4 | 629.65 | 733852.15 | 2278153.04 | IRON PIN SET |
| 5 | - | 734118.87 | 2277102.05 | MONUMENT BOX |
| 6 | - | 734118.33 | 2277249.87 | MONUMENT BOX |
| 7 | - | 734107.14 | 2277458.08 | IRON PIN FOUND |
| 8 | - | 734541.46 | 2277508.42 | IRON PIN FOUND |
| 9 | 626.68 | 734596.90 | 2277482.05 | IRON PIN SET |
| 10 | 629.61 | 733892.98 | 2277492.98 | IRON PIN SET |



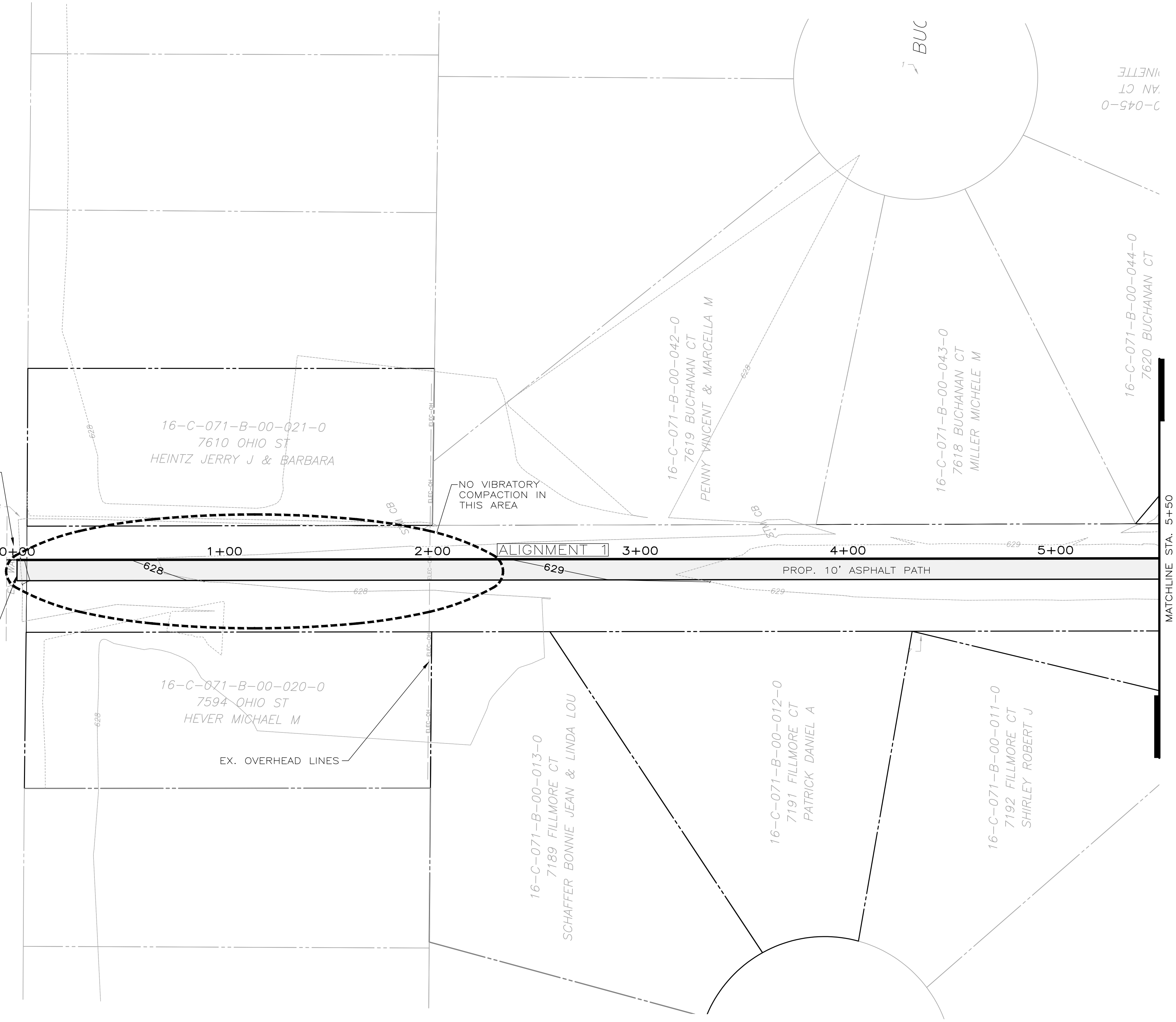
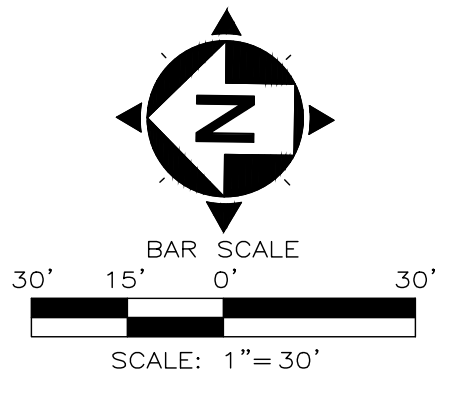
| NO | REVISION | DATE |
|----|----------|------|
| | | |
| | | |
| | | |
| | | |
| | | |

THE CITY OF MENTOR
PRESIDENTS PARK PATHWAY
LAKE COUNTY, OH

SCALE: AS SHOWN
DATE: 02/18/2020
DESIGNED BY: MPC
DRAWN BY: JPL
CHECKED BY: MPC

EXISTING CONDITIONS

| | |
|---------------------------------|----------------|
| PROJECT NO: 200297 | |
| DRAWING NAME EX. COND | |
| SHEET 3 | OF 8 |



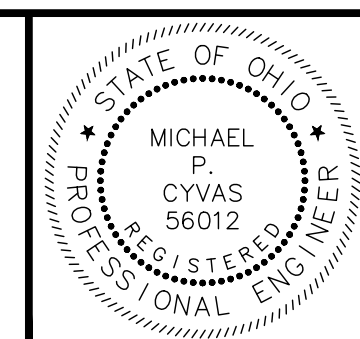
OHIO STREET PARK ENTRANCE IS NOT TO BE USED FOR CONSTRUCTION ACCESS, EXCEPT FOR WHEN PATHWAY IS BEING INSTALLED IN THIS SECTION. ENTRANCE ON BUCHANAN CT IS TO BE USED FOR ALL OTHER CONSTRUCTION ACCESS.

STA. 0+00
N=734542.88
E=2277487.90

MATCH EXISTING GRADE AT WALK, REPLACE DAMAGED EX. WALK AT END OF CONSTRUCTION.

OHIO STREET

MATCHLINE STA. 5+50



| NO | REVISION | DATE |
|----|----------|------|
| | | |
| | | |
| | | |
| | | |
| | | |

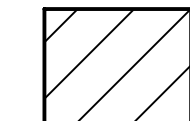
**THE CITY OF MENTOR
PRESIDENTS PARK PATHWAY
LAKE COUNTY, OH**

SCALE: AS SHOWN
DATE: 02/18/2020
DESIGNED BY: MPC
DRAWN BY: JPL
CHECKED BY: MPC

PATHWAY PLAN

| | |
|-------------------------------|----------------|
| PROJECT NO: 200297 | |
| DRAWING NAME PLAN-1 | |
| SHEET 4 | OF 8 |

LEGEND

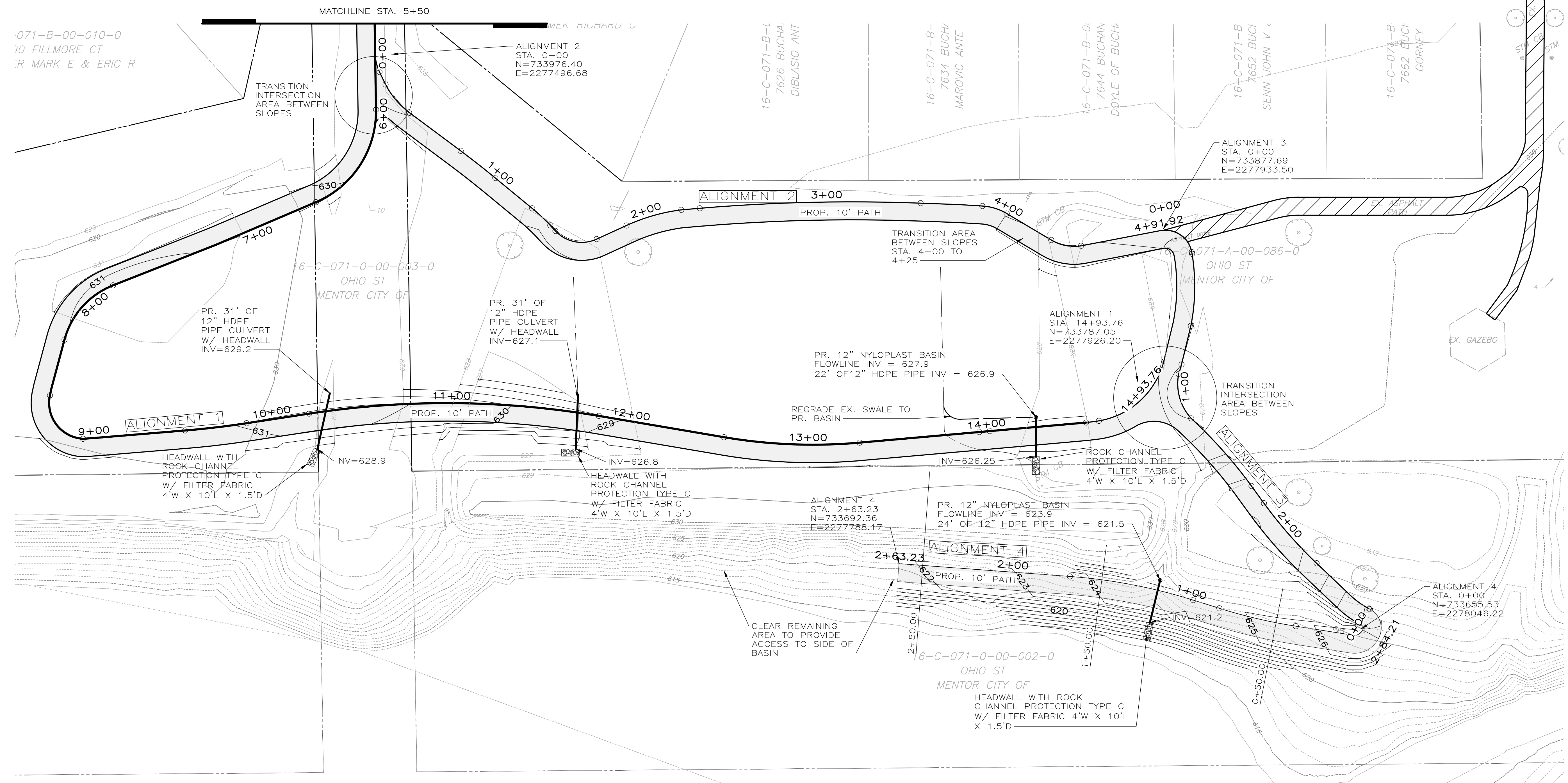
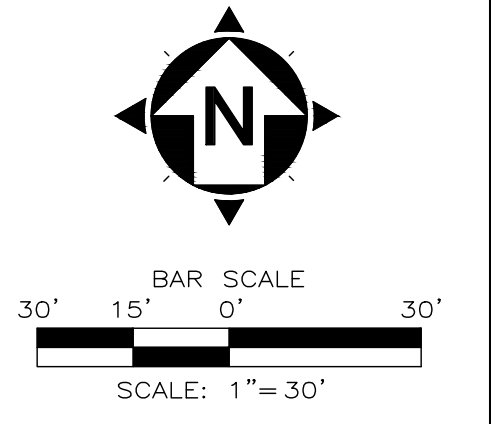
 REMOVE AND REPLACE EXISTING ASPHALT PATH. REMOVAL OF EXISTING ASPHALT SHALL BE INCLUDED IN THE PRICE FOR EXCAVATION AND EMBANKMENT.

BUCHANAN CT TO BE USED AS CONSTRUCTION ACCESS FOR PROJECT.

BUCHANAN CT.

MATCH EXISTING GRADE AT WALK, REPLACE DAMAGED EX. WALK AT END OF CONSTRUCTION

GRADE WALK TO EX. CB IN THIS AREA



071-B-00-010-0
70 FILLMORE CT
MARK E & ERIC R

TRANSITION INTERSECTION AREA BETWEEN SLOPES

ALIGNMENT 2
STA. 0+00
N=733976.40
E=2277496.68

16-C-071-B-C
7626 BUCHANAN
DIBLASIO ANT

16-C-071-B-B
7634 BUCHANAN
MAROVIC ANTE

16-C-071-B-D
7644 BUCHANAN
DOYLE OF BUCHANAN

16-C-071-B-E
7652 BUCHANAN
SENN JOHN V

16-C-071-B-F
7662 BUCHANAN
CORNEY

ALIGNMENT 3
STA. 0+00
N=733877.69
E=2277933.50

ALIGNMENT 2
3+00
PROP. 10' PATH

TRANSITION AREA BETWEEN SLOPES
STA. 4+00 TO 4+25

ALIGNMENT 1
STA. 14+93.76
N=733787.05
E=2277926.20

PR. 31' OF 12" HDPE PIPE CULVERT W/ HEADWALL
INV=629.2

PR. 31' OF 12" HDPE PIPE CULVERT W/ HEADWALL
INV=627.1

PR. 12" NYLOPLAST BASIN
FLOWLINE INV = 627.9
22' OF 12" HDPE PIPE INV = 626.9

REGRADE EX. SWALE TO PR. BASIN

TRANSITION INTERSECTION AREA BETWEEN SLOPES

HEADWALL WITH ROCK CHANNEL PROTECTION TYPE C W/ FILTER FABRIC 4'W X 10'L X 1.5'D

HEADWALL WITH ROCK CHANNEL PROTECTION TYPE C W/ FILTER FABRIC 4'W X 10'L X 1.5'D

ROCK CHANNEL PROTECTION TYPE C W/ FILTER FABRIC 4'W X 10'L X 1.5'D

ALIGNMENT 4
STA. 2+63.23
N=733692.36
E=2277788.17

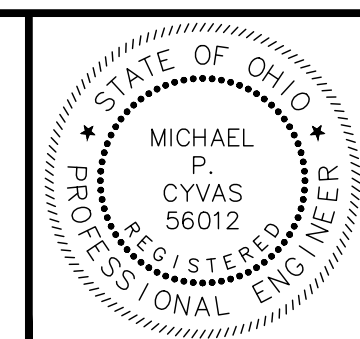
PR. 12" NYLOPLAST BASIN
FLOWLINE INV = 623.9
24' OF 12" HDPE PIPE INV = 621.5

CLEAR REMAINING AREA TO PROVIDE ACCESS TO SIDE OF BASIN

ALIGNMENT 4
STA. 0+00
N=733655.53
E=2278046.22

6-C-071-0-00-002-0
OHIO ST
MENTOR CITY OF

HEADWALL WITH ROCK CHANNEL PROTECTION TYPE C W/ FILTER FABRIC 4'W X 10'L X 1.5'D



| NO | REVISION | DATE |
|----|----------|------|
| | | |
| | | |
| | | |
| | | |
| | | |
| | | |
| | | |

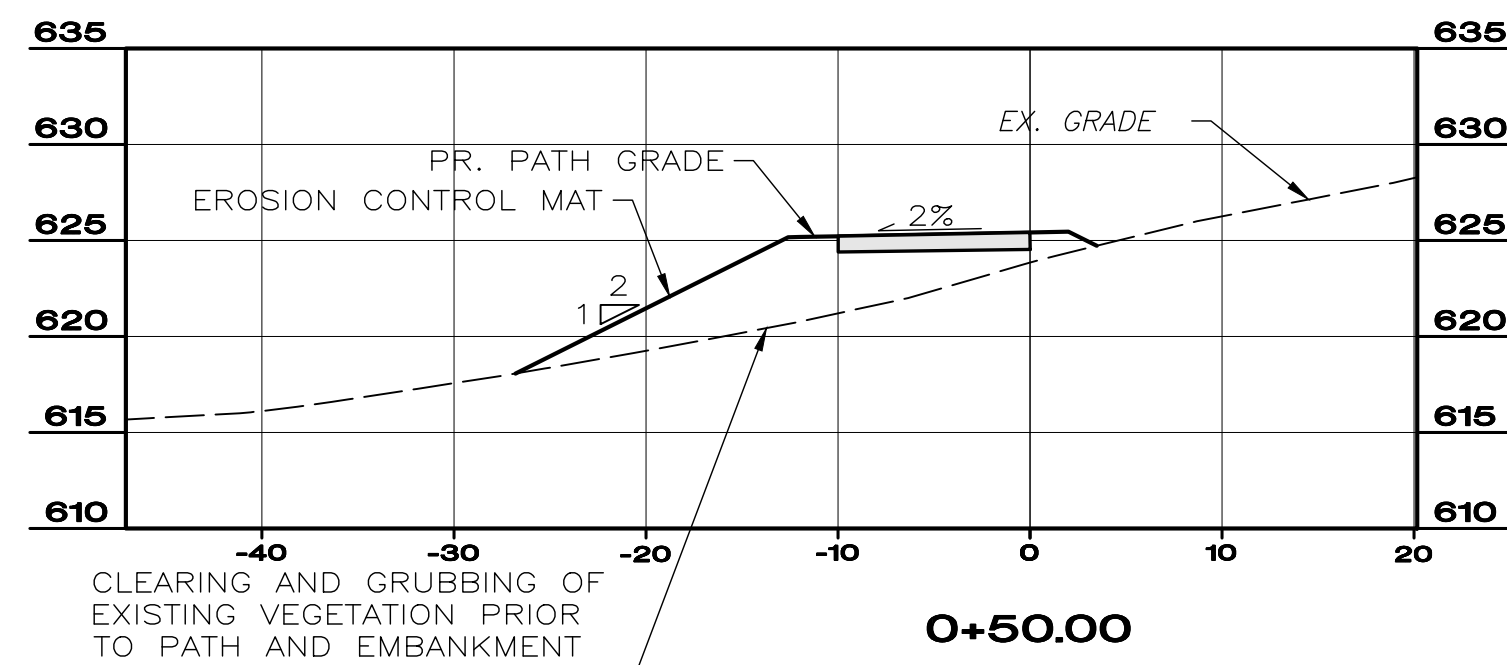
**THE CITY OF MENTOR
PRESIDENTS PARK PATHWAY
LAKE COUNTY, OH**

SCALE: AS SHOWN
DATE: 02/18/2020
DESIGNED BY: MPC
DRAWN BY: JPL
CHECKED BY: MPC

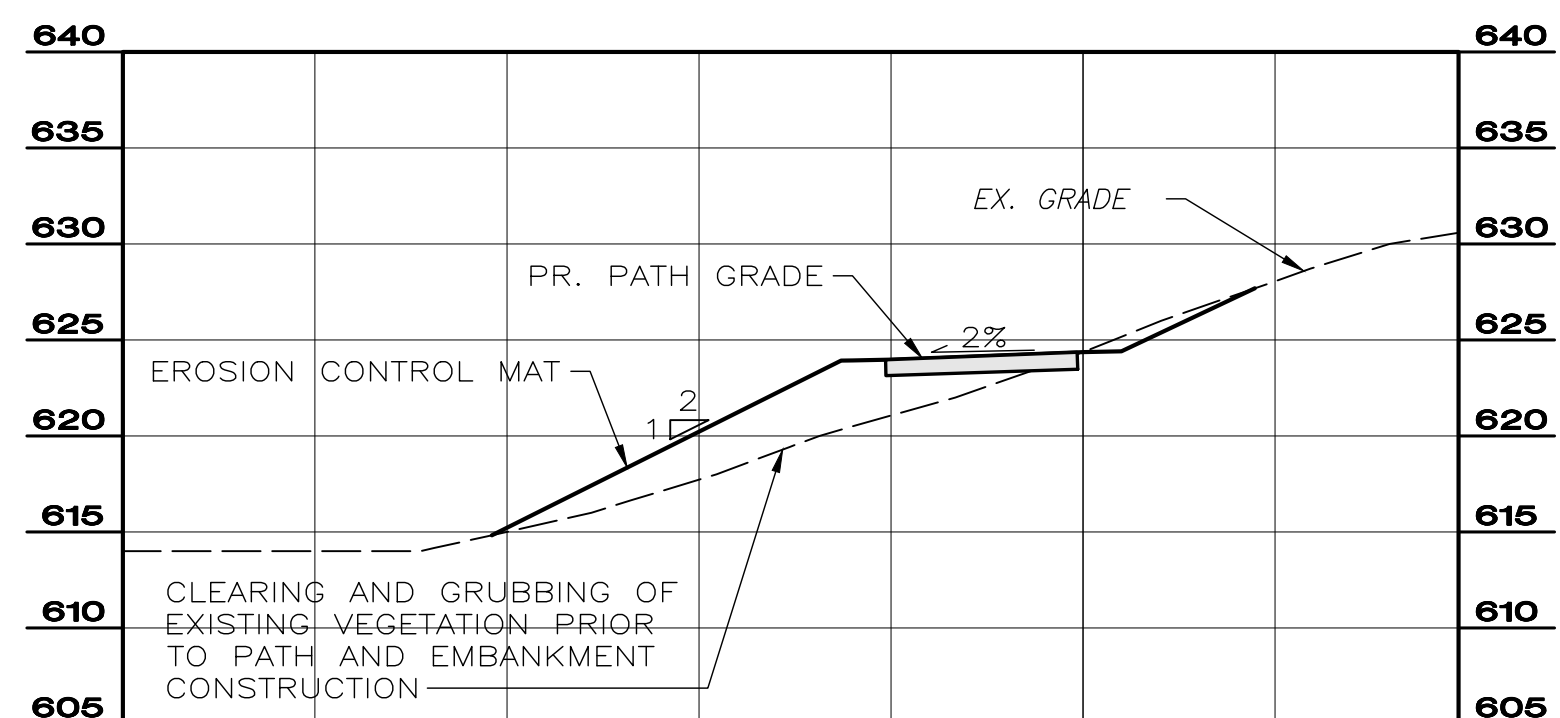
PATHWAY PLAN

| | |
|-------------------------------|----------------|
| PROJECT NO: 200297 | |
| DRAWING NAME PLAN-2 | |
| SHEET 5 | OF 8 |

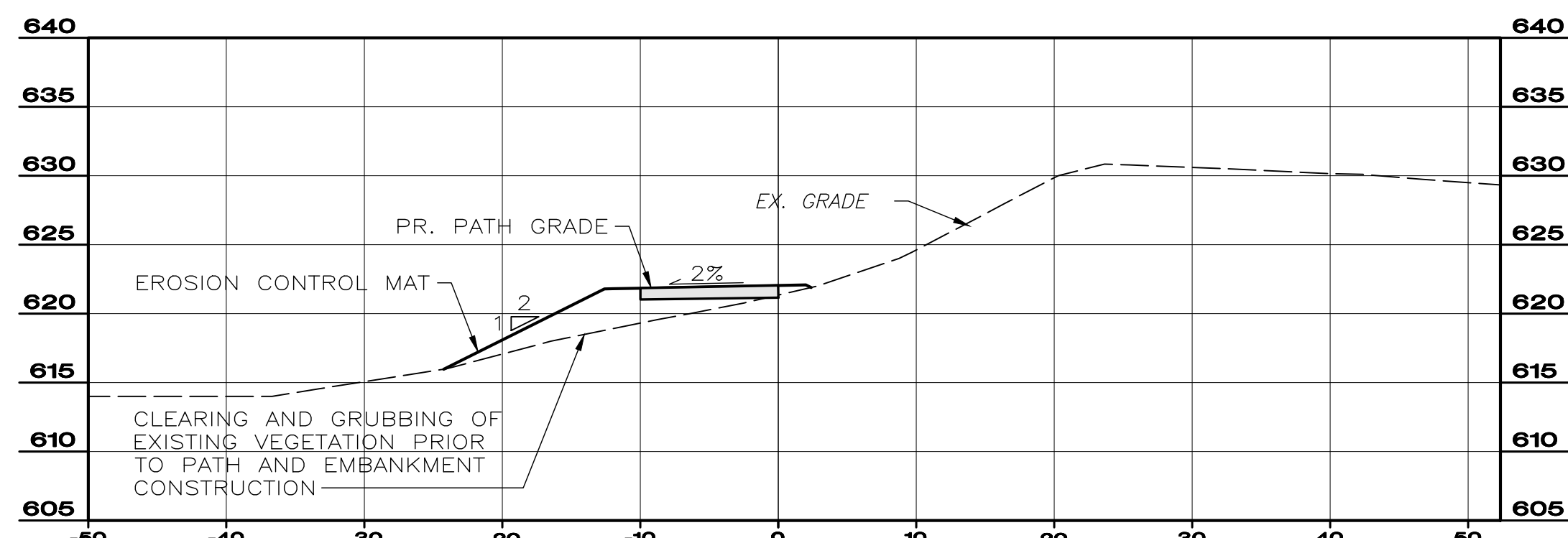
H:\2020\200297\DWG\SHEETS\C_200297-PLAN.DWG - PLAN-2 - 2/18/2020 11:52:37 AM - JOHN LILLASH



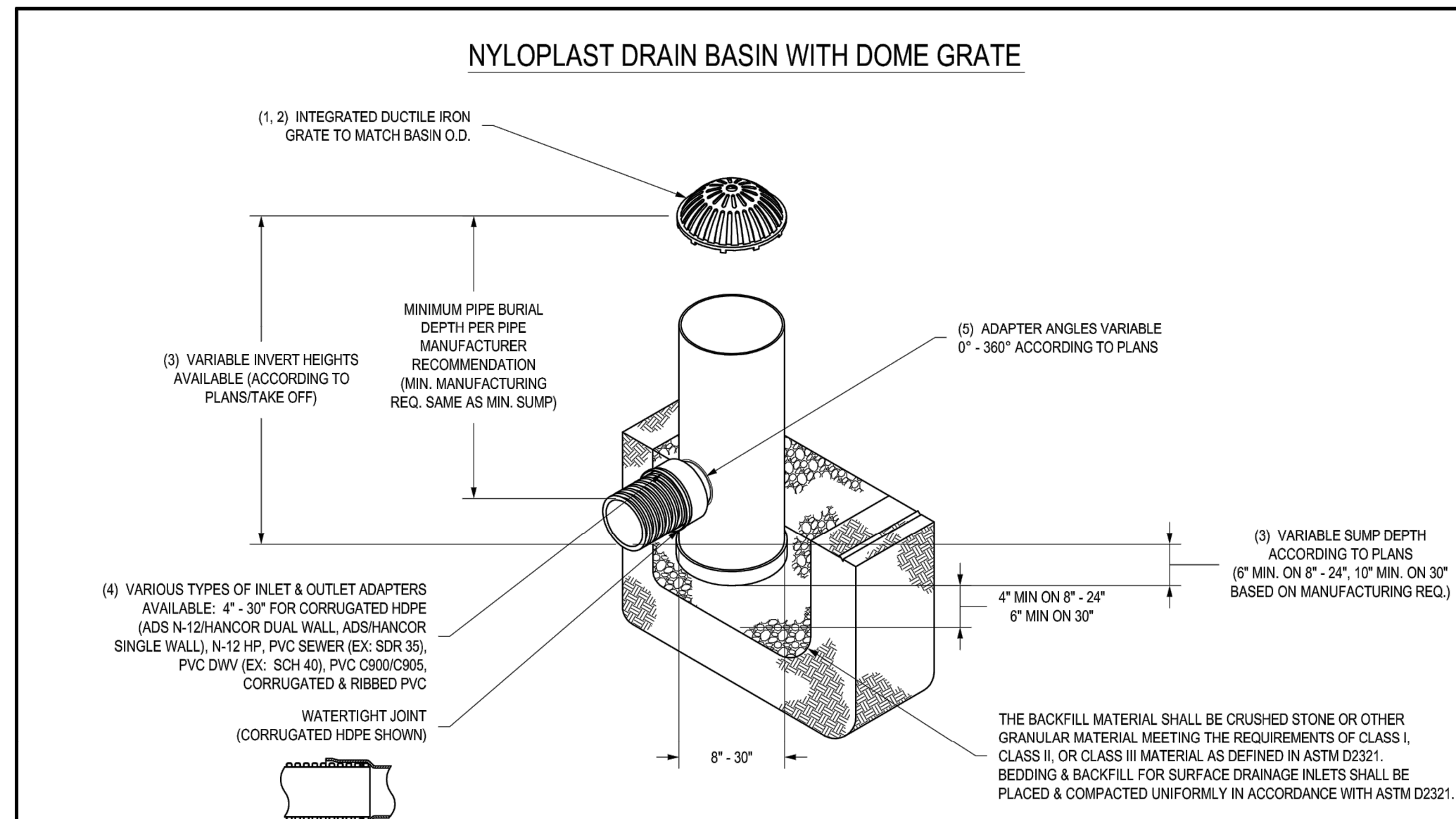
CROSS SECTION ALIGNMENT 3



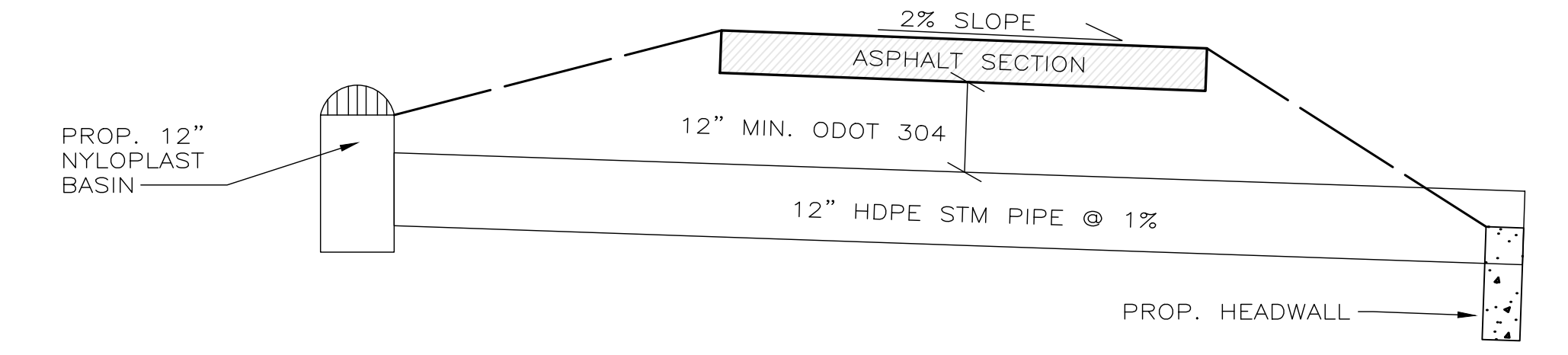
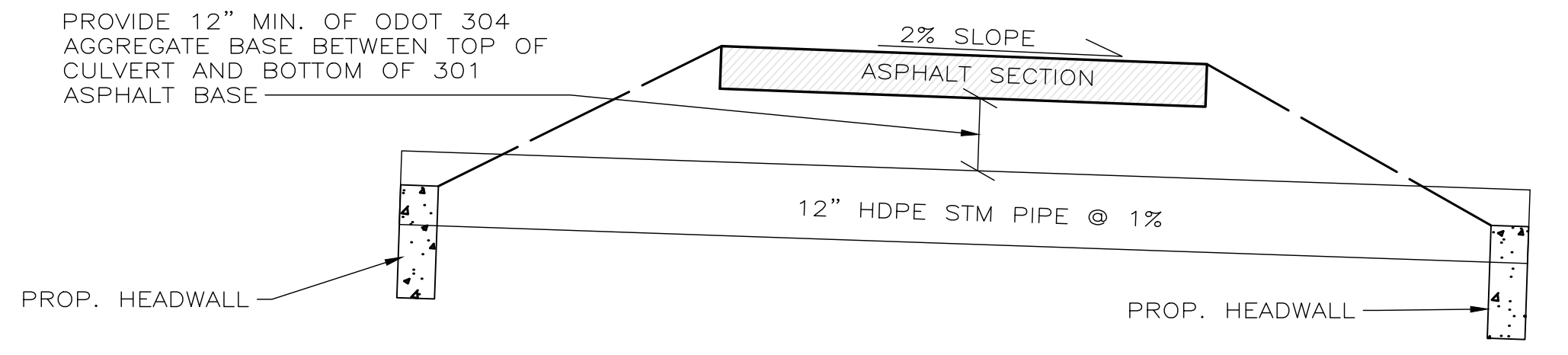
CROSS SECTION ALIGNMENT 3



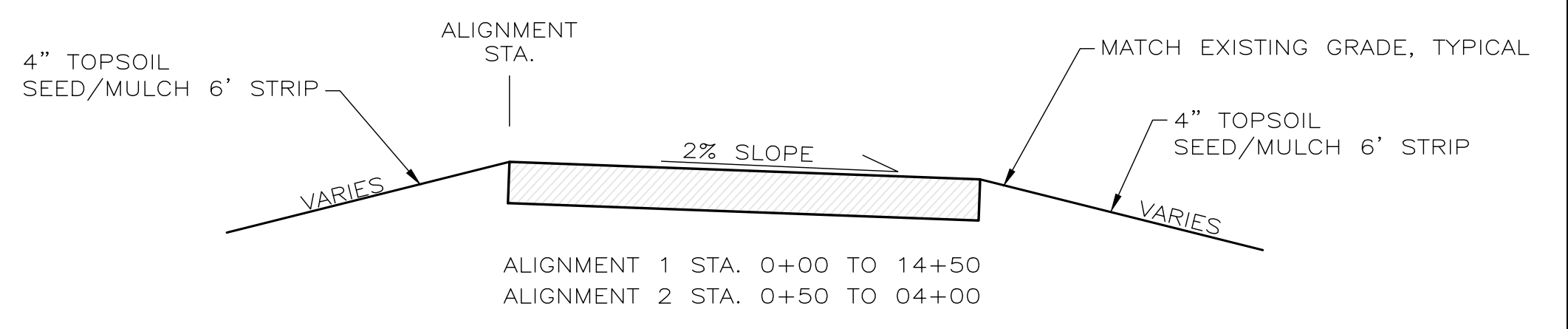
CROSS SECTION ALIGNMENT 3



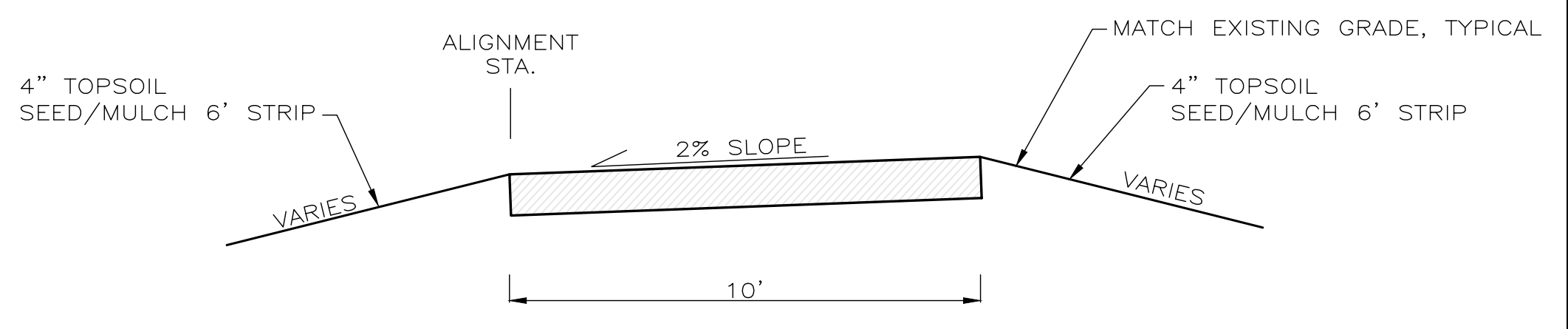
| | | | | | | | | | | |
|---|---|----------|------------------|----------|---|--------|---------|--------------|-----|---|
| 1 - 8" - 30" DOME GRATES SHALL BE DUCTILE IRON PER ASTM A536 GRADE 70-60-06. | THIS PRINT DISCLOSES SUBJECT MATTER IN WHICH NYLOPLAST HAS PROPRIETARY RIGHTS. THE RECEIPT OR POSSESSION OF THIS PRINT DOES NOT CONFER TRANSFER, OR LICENSE THE USE OF THE DESIGN OR TECHNICAL INFORMATION SHOWN HEREIN. REPRODUCTION OF THIS PRINT OR ANY INFORMATION CONTAINED HEREIN, OR MANUFACTURE OF ANY ARTICLE HEREFROM, FOR THE DISCLOSURE TO OTHERS IS FORBIDDEN, EXCEPT BY SPECIFIC WRITTEN PERMISSION FROM NYLOPLAST. | DRAWN BY | ESB | MATERIAL | 3130 VERONA AVE BUFORD, GA 30618 PHN (770) 932-2443 FAX (770) 932-2490 www.nyloplast-us.com | | | | | |
| 2 - 8" & 10" DOME GRATES FIT ONTO THE DRAIN BASINS WITH THE USE OF A PVC BODY TOP. SEE DRAWING NO. 7001-110-045. | | DATE | 03-25-10 | | | | | | | |
| 3 - DRAIN BASIN TO BE CUSTOM MANUFACTURED ACCORDING TO PLAN DETAILS. RISERS ARE NEEDED FOR BASINS OVER 84" DUE TO SHIPPING RESTRICTIONS. SEE DRAWING NO. 7001-110-066. | REVISED BY | NMH | PROJECT NO./NAME | | TITLE | | | | | |
| 4 - DRAINAGE CONNECTION STUB JOINT TIGHTNESS SHALL CONFORM TO ASTM D3212 FOR CORRUGATED HDPE (ADS N-12 HANGCOR DUAL WALL, N-12 HP, & PVC SEWER (EX. SDR 35), PVC DWV (EX. SCH 40), PVC C900/C905, CORRUGATED & RIBBED PVC | DATE | 03-11-16 | | | DRAIN BASIN WITH DOME GRATE QUICK SPEC INSTALLATION DETAIL | | | | | |
| 5 - ADAPTERS CAN BE MOUNTED ON ANY ANGLE 0° TO 360°. TO DETERMINE MINIMUM ANGLE BETWEEN ADAPTERS SEE DRAWING NO. 7001-110-012. | DWG SIZE | A | SCALE | 1:40 | SHEET | 1 OF 1 | DWG NO. | 7001-110-387 | REV | D |
| 6 - 8" - 30" DOME GRATES HAVE NO LOAD RATING. | | | | | | | | | | |



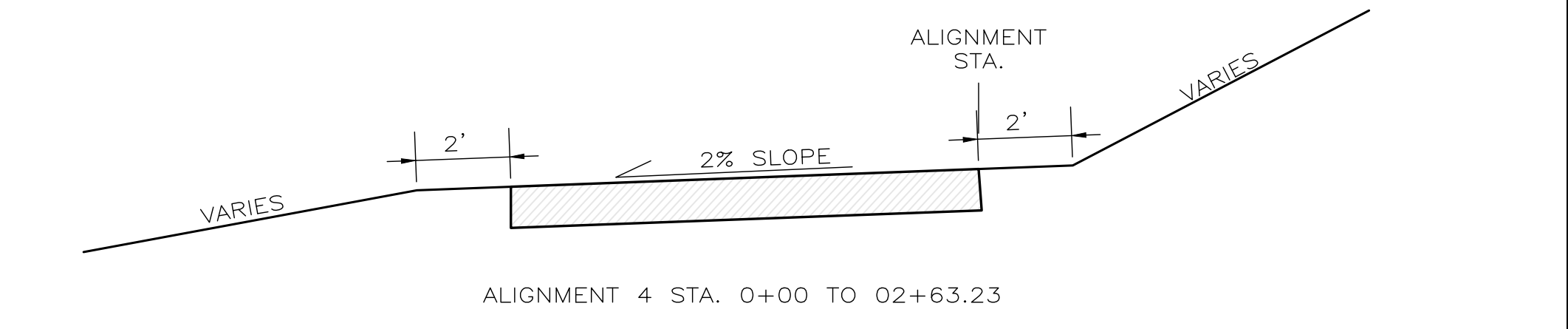
PATHWAY CULVERT
NOT TO SCALE



ALIGNMENT 1 STA. 0+00 TO 14+50
ALIGNMENT 2 STA. 0+50 TO 04+00

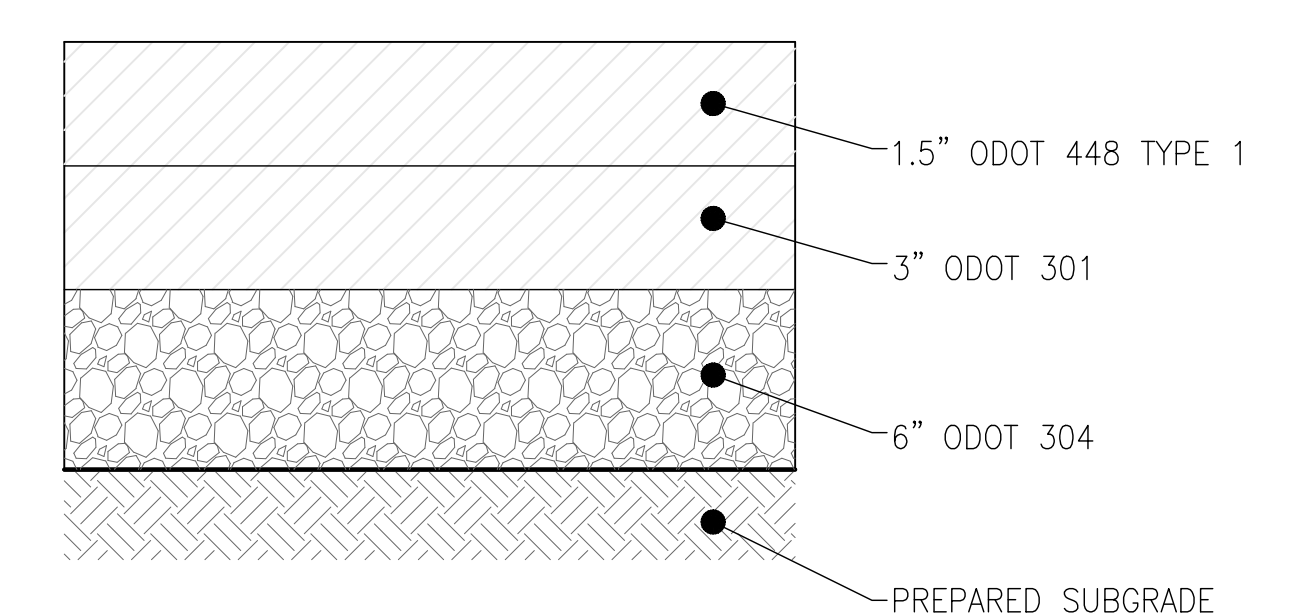


ALIGNMENT 2 STA. 4+25 TO 4+85
ALIGNMENT 3 STA. 0+00 TO 2+84.21

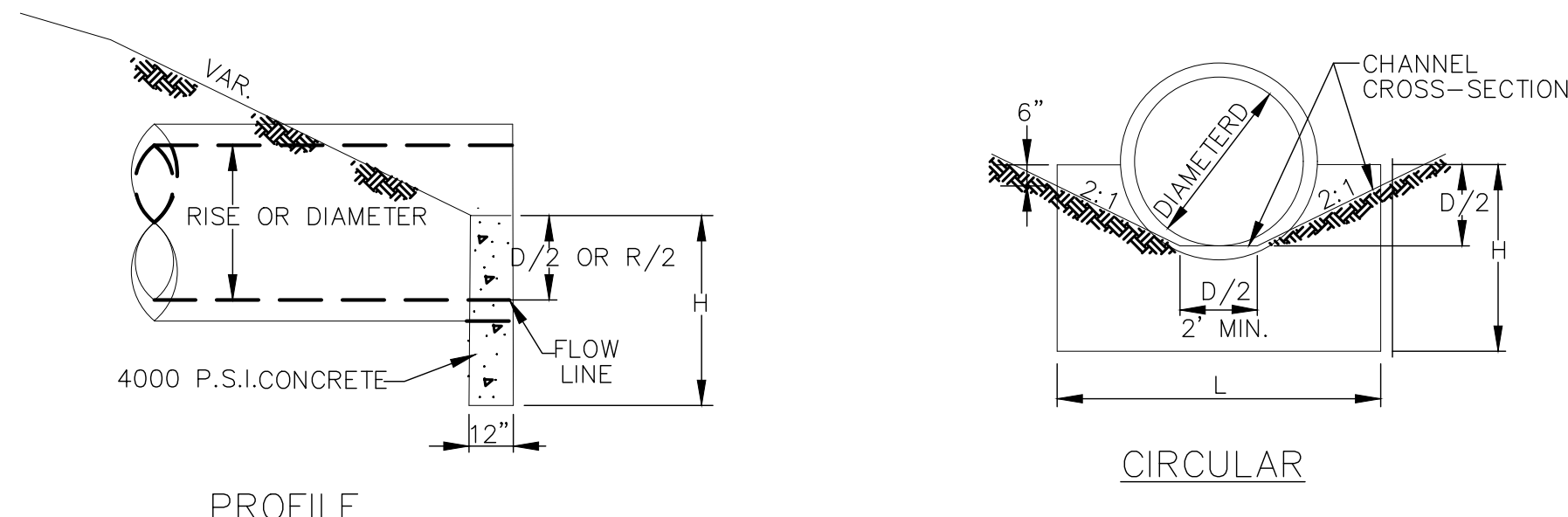


ALIGNMENT 4 STA. 0+00 TO 02+63.23

PATH TYPICAL SECTIONS
NOT TO SCALE



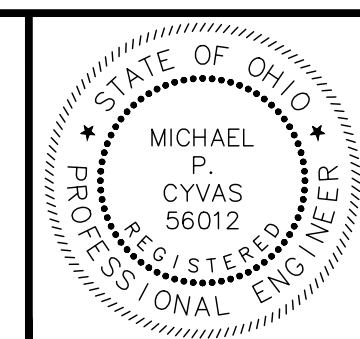
PATH TYPICAL SECTION
NOT TO SCALE
(FOR PROPOSED AND REPLACED PATH)



CHAMFER ALL EXPOSED CORNERS 3/4" OF AN INCH.

| DIMENSIONS | | | QUANTITIES ONE HEADWALL |
|------------|------|-------|-------------------------|
| DIAMETER | "H" | "L" | CONCRETE CU. YDS. |
| 12" | 3-0" | 2'-0" | .21 |

HEADWALL DETAIL



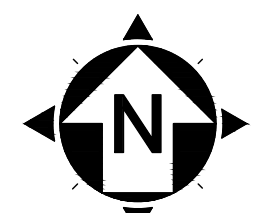
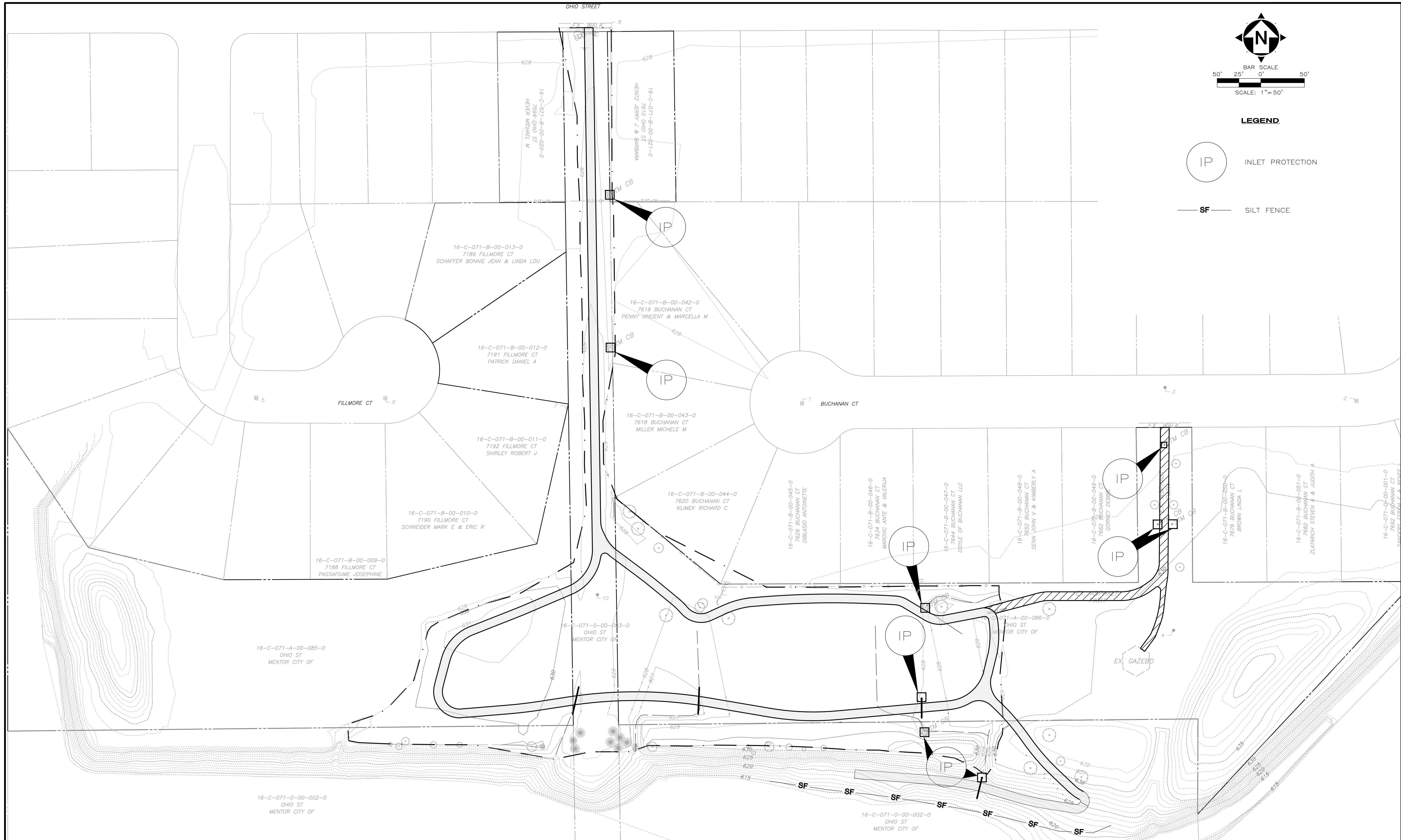
| NO | REVISION | DATE |
|----|----------|------|
| | | |
| | | |
| | | |
| | | |
| | | |

THE CITY OF MENTOR
PRESIDENTS PARK PATHWAY
LAKE COUNTY, OH

| | |
|--------------|------------|
| SCALE: | AS SHOWN |
| DATE: | 02/18/2020 |
| DESIGNED BY: | MPC |
| DRAWN BY: | JPL |
| CHECKED BY: | MPC |



CONSTRUCTION DETAILS

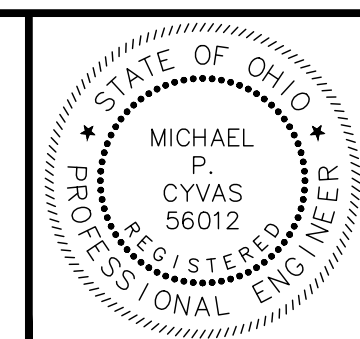
| | |
|--------------|----|
| PROJECT NO: | |
| 200297 | |
| DRAWING NAME | |
| DET-01 | |
| SHEET | OF |
| 6 | 8 |



BAR SCALE
50' 25' 0'
SCALE: 1" = 50'

LEGEND

-  INLET PROTECTION
-  SILT FENCE



| NO | REVISION | DATE |
|----|----------|------|
| | | |
| | | |
| | | |
| | | |
| | | |
| | | |
| | | |
| | | |
| | | |
| | | |

**THE CITY OF MENTOR
PRESIDENTS PARK PATHWAY
LAKE COUNTY, OH**

SCALE: AS SHOWN
DATE: 02/18/2020
DESIGNED BY: MPC
DRAWN BY: JPL
CHECKED BY: MPC

EROSION AND SEDIMENT CONTROL

| | |
|------------------------------------|----------------|
| PROJECT NO: 200297 | |
| DRAWING NAME: E&SC-1 | |
| SHEET 7 | OF 8 |

H:\2020\200297\DWG\SHEETS\C_200297-E&SC.DWG - E&SC-1 - 2/18/2020 11:52:52 AM - JOHN LILLASH

RESTORATION/SEDIMENTATION AND EROSION CONTROL

1. ALL AREAS DISTURBED BY CONSTRUCTION ACTIVITIES AND OTHER AREAS AS SHOWN ON PLANS SHALL BE PROPERLY RESTORED WITH 4" OF TOPSOIL, SEEDING AND MULCHING PER THE SPECIFICATIONS.
2. IN ALL DISTURBED AREAS THE CONTOURS WILL BE RESTORED IN A MANNER THAT MAINTAINS EXISTING DRAINAGE PATTERNS. FOLLOWED BY SEEDING AND MULCHING. IF, DUE TO WEATHER, FINAL GRADING CANNOT BE ACCOMPLISHED IMMEDIATELY, TEMPORARY SEEDING & MULCHING, WITHIN SEVEN DAYS, WILL BE USED UNTIL FINAL RESTORATION CAN OCCUR.
3. SILT FENCING SHALL BE EXTRA STRENGTH SYNTHETIC FILTER FABRIC HAVING A MINIMUM FLOW RATE OF 0.3 GA/SQ.FT/MINUTE AND SHALL CONTAIN ULTRAVIOLET RAY INHIBITORS AND STABILIZERS TO PROVIDE A MINIMUM OF 6 MONTHS OF EXPECTED USABLE CONSTRUCTION LIFE AT A TEMPERATURE RANGE OF 0°F. TO 120°F. SEE STANDARD DETAIL.
4. THE CONTRACTOR SHALL BE RESPONSIBLE FOR MAKING INSPECTIONS OF ALL EROSION CONTROL DEVICES ON A WEEKLY BASIS AND AFTER ALL STORMS THAT PRODUCE MORE THAN ONE-HALF (1/2") INCH TOTAL RAINFALL. ANY NEEDED REPAIRS SHALL BE PERFORMED IMMEDIATELY. THE CONTRACTOR SHALL DOCUMENT ALL INSPECTIONS AND ANY REPAIRS THAT ARE DONE TO MAINTAIN EFFICIENCY.
5. CONTRACTOR SHALL REMOVE DAILY ALL MUD, SOIL AND DEBRIS THAT MAY BE TRACKED ONTO EXISTING STREETS, DRIVES OR WALKS BY HIS EQUIPMENT OR THAT OF SUBCONTRACTORS OR SUPPLIERS.
6. PROJECT DESCRIPTION

THE PROJECT CONSISTS OF ROADWAY RECONSTRUCTION USING ASPHALTIC CONCRETE PAVEMENT MATERIALS AND CONCRETE CURBS; CONCRETE DRIVES, APRONS, WALKS AND RAMPS REPLACEMENTS; SANITARY AND STORM SEWER LATERALS AND MAINS REPLACEMENTS; CATCH BASINS AND MANHOLES; ADJUSTMENTS TO GRADES; MAINTENANCE OF TRAFFIC; LAYOUTS; SEEDING AND MULCHING; AND EROSION AND SEDIMENT CONTROL IN THE CITY OF MENTOR, COUNTY OF LAKE, STATE OF OHIO.

THE ROADWAY HAS A NORTH-SOUTH ORIENTATION BEGINNING AT THE INTERSECTION OF OVERLOOK ROAD, ENDING AT THE INTERSECTION OF WOODRIDGE ROAD, 4,263 FEET IN LENGTH. THERE ARE TWO OTHER INTERSECTIONS AT MAIDEN LANE AND GARDEN LANE. AT THE APPROXIMATE CENTER OF THE PROJECT THE LATITUDE IS NORTH 41° 44' 18"; THE LONGITUDE IS WEST 81° 18' 45".

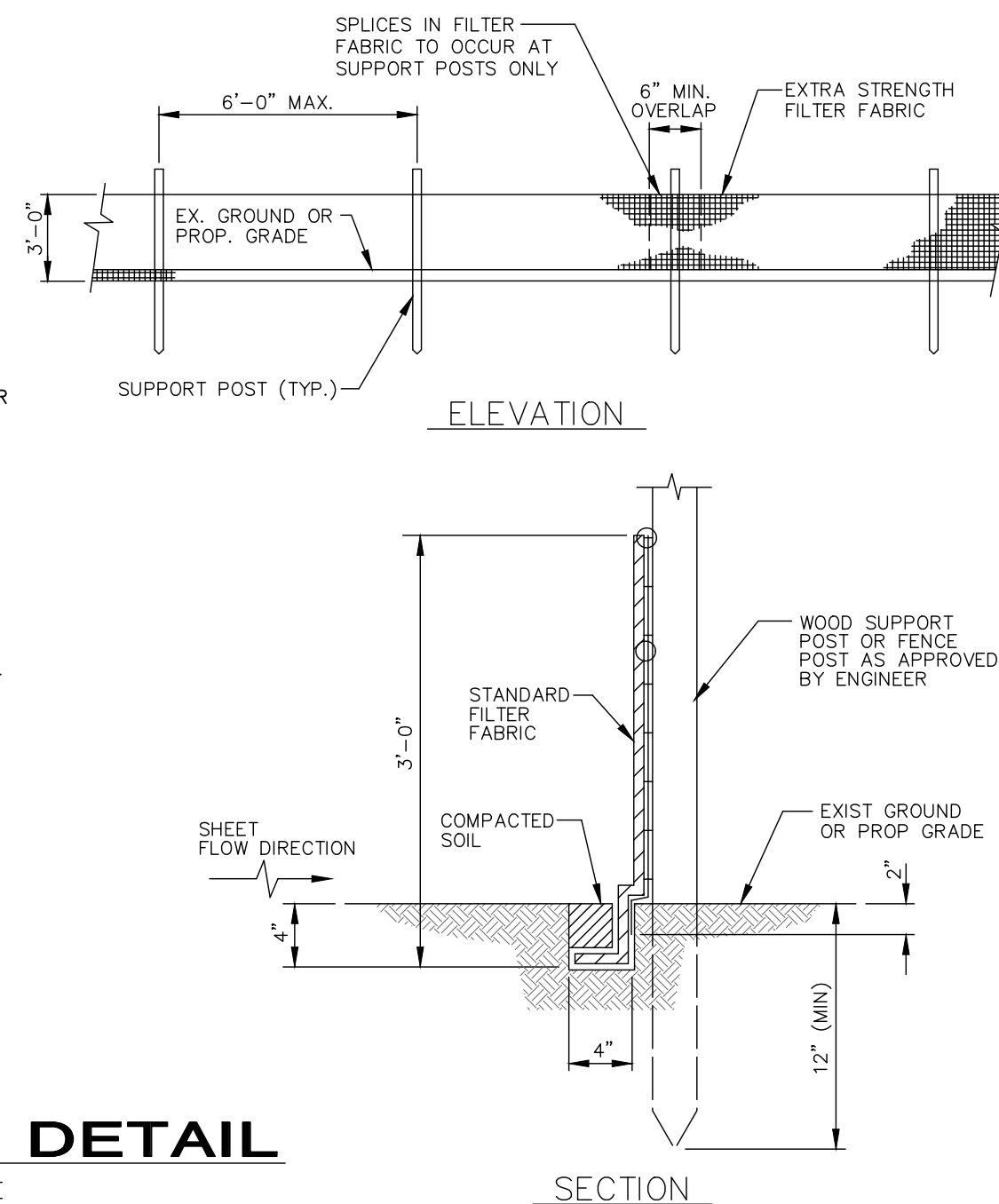
NOTES:

1. SILT FENCE SHALL BE CONSTRUCTED BEFORE UPSLOPE LAND DISTURBANCE BEGINS.
2. ALL SILT FENCE SHALL BE PLACED AS CLOSE TO THE CONTOUR AS POSSIBLE SO THAT WATER WILL NOT CONCENTRATE AT LOW POINTS IN THE FENCE AND SO THAT SMALL SWALES OR DEPRESSIONS WHICH MAY CARRY SMALL CONCENTRATED FLOWS TO THE SILT FENCE ARE DISSIPATED ALONG ITS LENGTH.
3. TO PREVENT WATER PONDED BY THE SILT FENCE FROM FLOWING AROUND THE ENDS, EACH END SHALL BE CONSTRUCTED UPSLOPE SO THAT THE ENDS ARE AT A HIGHER ELEVATION.
4. WHERE POSSIBLE, SILT FENCE SHALL BE PLACED ON THE FLATTEST AREA AVAILABLE. WHERE POSSIBLE, VEGETATION SHALL BE PRESERVED FOR 5 FEET (OR AS MUCH AS POSSIBLE) UPSLOPE FROM THE SILT FENCE. IF VEGETATION IS REMOVED, IT SHALL BE REESTABLISHED WITHIN 7 DAYS FROM THE INSTALLATION OF THE SILT FENCE.
5. THE HEIGHT OF THE SILT FENCE SHALL BE A MINIMUM OF 16 INCHES ABOVE THE ORIGINAL GROUND SURFACE.
6. THE SILT FENCE SHALL BE PLACED IN A TRENCH CUT A MINIMUM OF 6 INCHES DEEP. THE TRENCH SHALL BE CUT WITH A TRENCHER, CABLE LAYING MACHINE, OR OTHER SUITABLE DEVICE WHICH WILL ENSURE AN ADEQUATELY UNIFORM TRENCH DEPTH.
7. THE SILT FENCE SHALL BE PLACED WITH THE STAKES ON THE DOWNSLOPE SIDE OF THE GEOTEXTILE AND SO THAT 8 INCHES OF CLOTH ARE BELOW THE GROUND SURFACE. EXCESS MATERIAL SHALL LAY ON THE BOTTOM OF THE 6-INCH-DEEP TRENCH. THE TRENCH SHALL BE BACKFILLED AND COMPACTED.
8. SEAMS BETWEEN SECTION OF SILT FENCE SHALL BE OVERLAPPED WITH THE END STAKES OF EACH SECTION WRAPPED TOGETHER BEFORE DRIVING INTO THE GROUND.
9. MAINTENANCE - SILT FENCE SHALL ALLOW RUNOFF TO PASS ONLY AS DIFFUSE FLOW THROUGH THE GEOTEXTILE. IF RUNOFF OVERTOPS THE SILT FENCE, FLOWS UNDER OR AROUND THE ENDS, OR IN ANY OTHER WAY BECOMES A CONCENTRATED FLOW, ONE OF THE FOLLOWING SHALL BE PERFORMED, AS APPROPRIATE: 1) THE LAYOUT OF THE SILT FENCE SHALL BE CHANGED, 2) ACCUMULATED SEDIMENT SHALL BE REMOVED, OR 3) OTHER PRACTICES SHALL BE INSTALLED.
10. SILT FENCE MATERIALS
 - A. FENCE POSTS - THE LENGTH SHALL BE A MINIMUM OF 32 INCHES LONG. WOOD POSTS WILL BE 2 X 2 INCH HARDWOOD OF SOUND QUALITY. THE MAXIMUM SPACING BETWEEN POSTS SHALL BE 10 FEET.
 - B. SILT FENCE FABRIC (SEE CHART BELOW):

| FABRIC PROPERTIES | VALUES | TEST METHOD |
|---------------------------------|--------------------------|------------------------|
| GRAB TENSILE STRENGTH | 90 LB. MINIMUM | ASTM D 1682 |
| MULLEN BURST STRENGTH | 190 PSI MINIMUM | ASTM D 3786 |
| SLURRY FLOW RATE | 0.3 GAL./MIN./F2 MAXIMUM | |
| EQUIVALENT OPENING SIZE | 40-80 | US STD. SIEVE CW-02215 |
| ULTRAVIOLET RADIATION STABILITY | 90% MINIMUM | ASTM-G-26 |

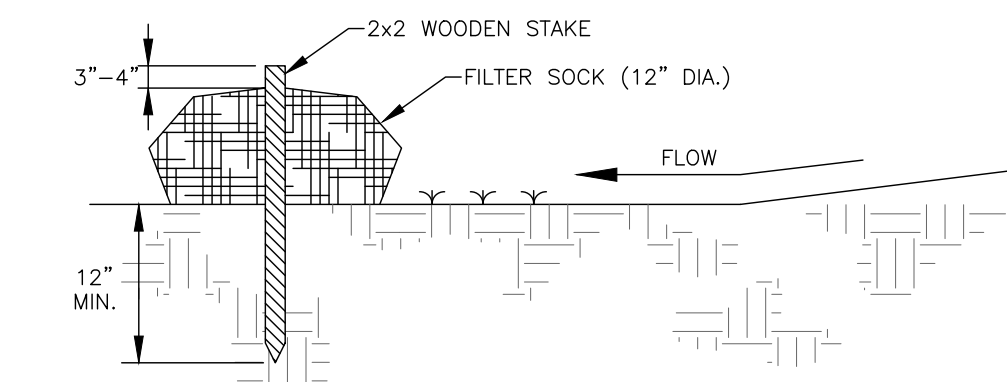
SILT FENCE DETAIL

NOT TO SCALE



FILTER SOCK (SILT FENCE ALTERNATE)

NO SCALE



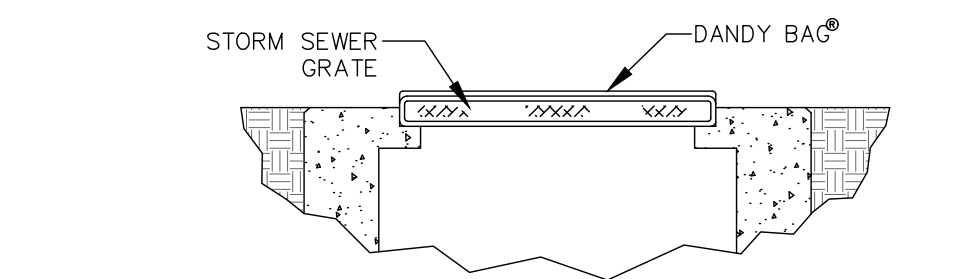
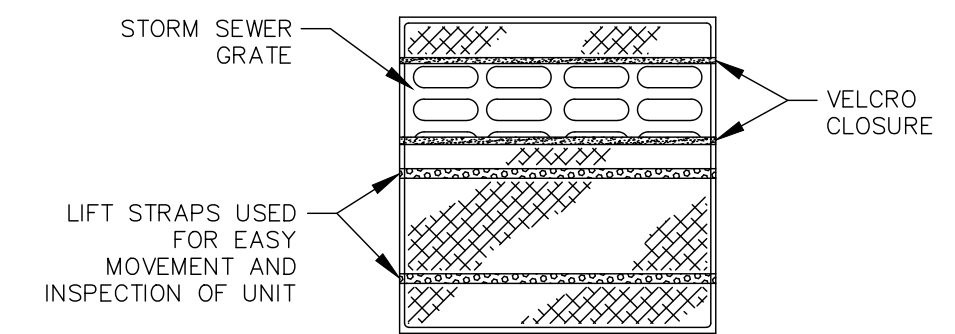
MATERIALS - COMPOST USED FOR FILTER SOCKS SHALL BE WEED, PATHOGEN AND INSECT FREE AND FREE OF ANY REFUSE, CONTAMINANTS OR OTHER MATERIALS TOXIC TO PLANT GROWTH. THEY SHALL BE DERIVED FROM A WELL-DECOMPOSED SOURCE OF ORGANIC MATTER AND CONSIST OF PARTICLES RANGING FROM 3/8" TO 2".

INSTALLATION:

1. FILTER SOCKS WILL BE PLACED ON A LEVEL LINE ACROSS SLOPES; GENERALLY PARALLEL TO THE BASE OF THE SLOPE OR OTHER AFFECTED AREA. ON SLOPES APPROACHING 2:1; ADDITIONAL SOCKS SHALL BE PROVIDED AT THE TOP AND AS NEEDED MID-SLOPE.
2. FILTER SOCKS INTENDED TO BE LEFT AS A PERMANENT FILTER OR PART OF THE NATURAL LANDSCAPE, SHALL BE SEEDED AT THE TIME OF INSTALLATION FOR ESTABLISHMENT OF PERMANENT VEGETATION.
3. FILTER SOCKS ARE NOT TO BE USED IN CONCENTRATED FLOW SITUATIONS OR IN RUNOFF CHANNELS.

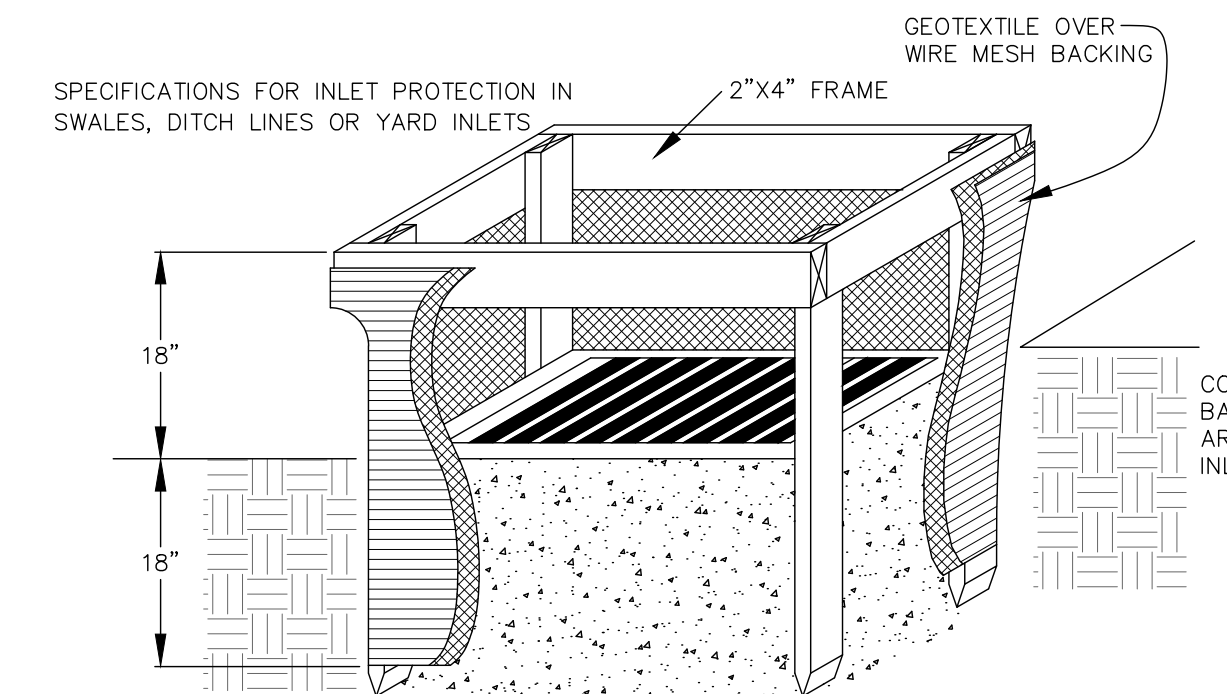
MAINTENANCE:

1. ROUTINELY INSPECT FILTER SOCKS AFTER EACH SIGNIFICANT RAIN, MAINTAINING FILTER SOCKS IN A FUNCTIONAL CONDITION AT ALL TIMES.
2. REMOVE SEDIMENTS COLLECTED AT THE BASE OF THE FILTER SOCKS WHEN THEY REACH 1/3 OF THE EXPOSED HEIGHT OF THE PRACTICE.
3. WHERE THE FILTER SOCK DETERIORATES OR FAILS, IT WILL BE REPAIRED OR REPLACED WITH A MORE EFFECTIVE ALTERNATIVE.
4. REMOVAL - FILTER SOCKS WILL BE DISPERSED ON SITE WHEN NO LONGER REQUIRED IN SUCH A WAY AS TO FACILITATE AND NOT OBSTRUCT SEEDINGS.



DANDY BAG (INLET PROTECTION ALT.)

SCALE: NONE

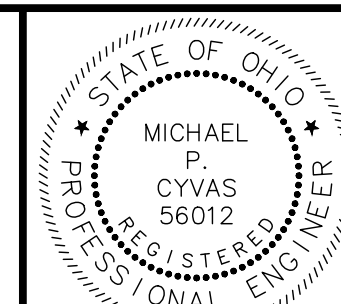


SPECIFICATIONS FOR INLET PROTECTION IN SWALES, DITCH LINES OR YARD INLETS

1. INLET PROTECTION SHALL BE CONSTRUCTED EITHER BEFORE UPSLOPE LAND DISTURBANCE BEGINS OR BEFORE THE STORM DRAIN BECOMES OPERATIONAL.
2. THE EARTH AROUND THE INLET SHALL BE EXCAVATED COMPLETELY TO A DEPTH AT LEAST 18 INCHES.
3. THE WOODEN FRAME SHALL BE CONSTRUCTED OF 2-BY-4-INCH CONSTRUCTION-GRADE LUMBER. THE 2-BY-4-INCH POSTS SHALL BE DRIVEN 1 FOOT INTO THE GROUND AT FOUR CORNERS OF THE INLET AND THE TOP PORTION OF 2-BY-4-INCH FRAME ASSEMBLED USING THE OVERLAP JOINT SHOWN. THE TOP OF THE FRAME SHALL BE AT LEAST 6 INCHES BELOW ADJACENT ROADS IF PONDED WATER WOULD POSE A SAFETY HAZARD TO TRAFFIC.
4. WIRE MESH SHALL BE OF SUFFICIENT STRENGTH TO SUPPORT FABRIC WITH WATER FULLY IMPOUNDED AGAINST IT. IT SHALL BE STRETCHED TIGHTLY AROUND THE FRAME AND FASTENED SECURELY TO THE FRAME.
5. GEOTEXTILE SHALL HAVE AN EQUIVALENT OPENING SIZE OF 20-40 SIEVE AND BE RESISTANT TO SUNLIGHT. IT SHALL BE STRETCHED TIGHTLY AROUND THE FRAME AND FASTENED SECURELY. IT SHALL EXTEND FROM THE TOP OF THE FRAME TO 18 INCHES BELOW THE INLET NOTCH ELEVATION. THE GEOTEXTILE SHALL OVERLAP ACROSS ONE SIDE OF THE INLET SO THE ENDS OF THE CLOTH ARE NOT FASTENED TO THE SAME POST.
6. BACKFILL SHALL BE PLACED AROUND THE INLET IN COMPACTED 6 INCH LAYERS UNTIL THE EARTH IS EVEN WITH NOTCH ELEVATION ON ENDS AND TOP ELEVATION ON SIDES.
7. A COMPACTED EARTH DIKE OR A CHECK DAM SHALL BE CONSTRUCTED IN THE DITCH LINE BELOW THE INLET IF THE INLET IS NOT IN A DEPRESSION AND IF RUNOFF BYPASSING THE INLET WILL NOT FLOW TO A SETTLING POND. THE TOP OF EARTH DIKES SHALL BE AT LEAST 6 INCHES HIGHER THAN THE TOP OF THE FRAME.

INLET PROTECTION

NOT TO SCALE



| NO | REVISION | DATE |
|----|----------|------|
| | | |
| | | |
| | | |
| | | |
| | | |

**THE CITY OF MENTOR
PRESIDENTS PARK PATHWAY
LAKE COUNTY, OH**

| |
|------------------|
| SCALE: AS SHOWN |
| DATE: 02/18/2020 |
| DESIGNED BY: MPC |
| DRAWN BY: JPL |
| CHECKED BY: MPC |

EROSION AND SEDIMENT CONTROL

| | |
|-----------------------------------|----------------|
| PROJECT NO: 200297 | |
| DRAWING NAME E&SC-2 | |
| SHEET 8 | OF 8 |