

To: All Plan Holders of Record

From: CT Consultants, Inc.
For the Owner

Re: *Addendum No. 2*
Roosevelt Park – Bocce Court
City of Campbell

Date: April 10, 2020

This Addendum forms a part of the contract documents and modifies the original bidding documents dated March 2020 and all previous addenda, if any. Acknowledge receipt of this addendum in the space provided in the bid forms. Failure to do so may subject the bidder to disqualification.

ADDENDUM ACKNOWLEDGEMENT

Acknowledge receipt of all addenda in the space provided on Bid Form BF.10.

PLANS

ADD the following notes to the General Notes Sheet:

1. ALL CONCRETE SURFACES TO BE LIGHT BROOM FINISHED AND TROWELED AT JOINTS.
2. CONTRACTOR SHALL MAINTAIN POSITIVE DRAINAGE AWAY FROM PAVILION AND INTO PROPOSED STORM INLETS.

QUESTIONS AND ANSWERS

Q1) What bench should be priced to match existing, per the drawing?

A1) BENCHES SHALL BE RECYCLED PLASTIC, BELSON OUTDOORS, MODEL PL8-P, 8-FT LENGTH, CEDAR TOP AND SEAT WITH BROWN FRAME, MOUNTED TO THE CONCRETE PAD, OR APPROVED EQUAL. (*Dimension and Instructions Cut Sheets have been included for reference*)

Q2) What is the expectation for the curtain wall alternate, as there are no drawings, or specifications detailing this item?

A2) SIDEWALL CURTAINS SHALL BE WHITE VINYL, WINDOWED SIDEWALL CURTAINS, CELINA TENT, CATHEDRAL TENT SIDEWALL (SKU: ACSW820WINCA), OR APPROVED EQUAL. THE UNIT PRICE SHALL INCLUDE ALL LABOR AND MATERIAL FOR INSTALLATION, INCLUDING MOUNTING AND TIE-DOWN HARDWARE.

Addendum No. 2
Date: April 9, 2020
Page 2

Q3) The three specified manufacturers of the pole barn are unable to bid the project due to being out of office, or out of territory. Is quoting the pole barn as frame and lumber, built on site, instead of pre-manufactured acceptable?

A3) Refer to Spec Section 133418. Any one of the listed building manufactures may be used, or a contractor may erect the components himself in compliance with this Section.

JSS/PAW:mep

Enclosures

H:\2019\190901\SPEC\Addenda\Addendum 02\Addendum 2.Doc



Model # PL8-P | Recycled Plastic Park Benches | 8' Length

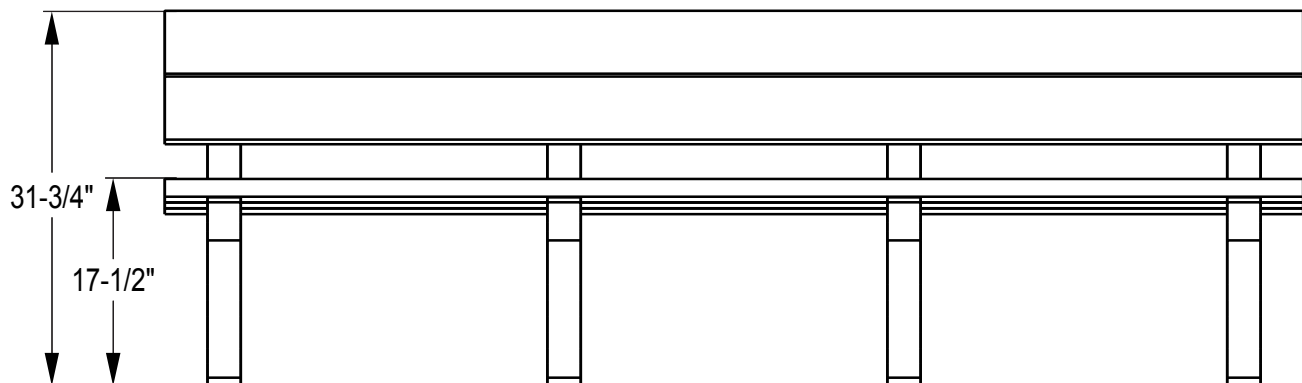
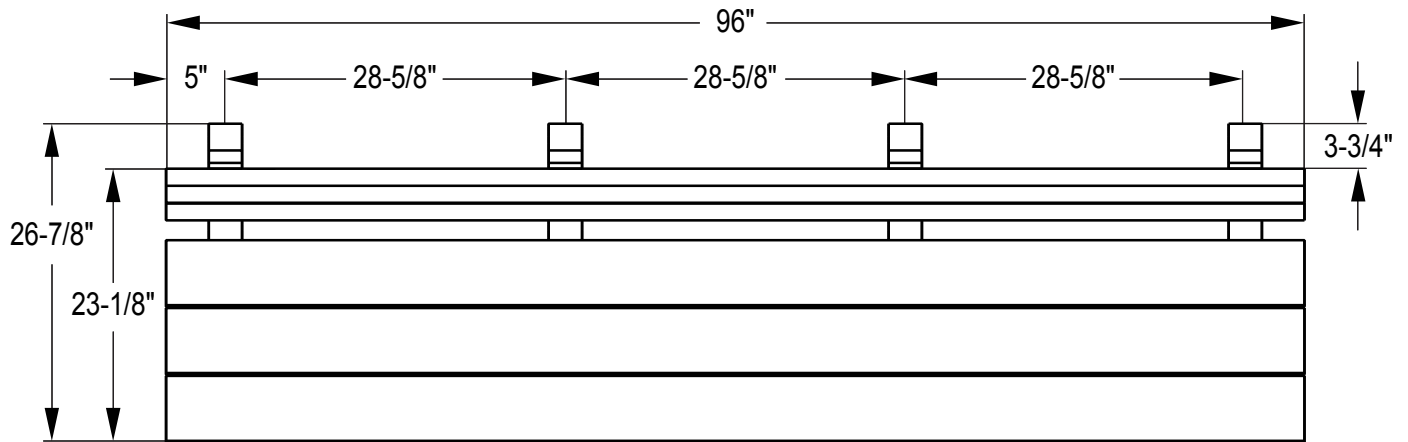
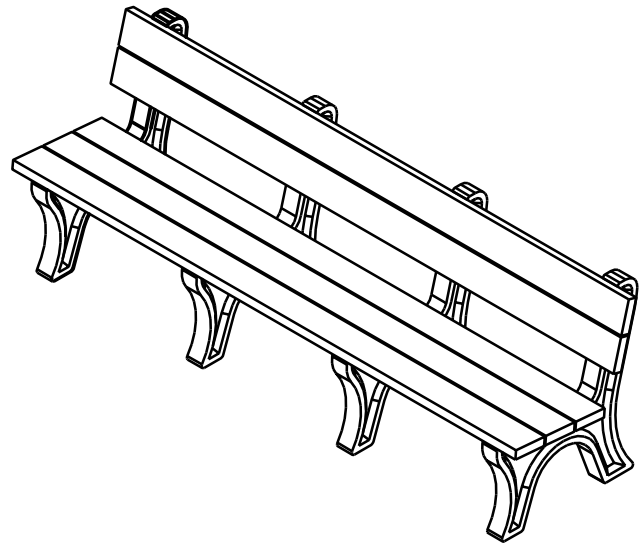
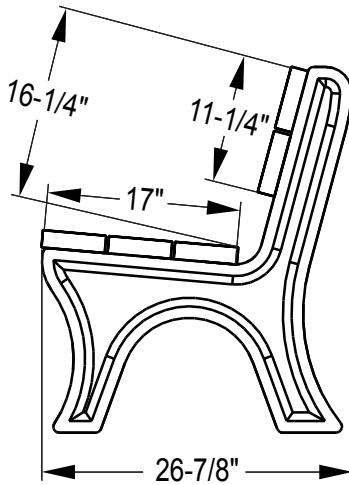
[Print](#) | [Close Window](#)



Model # PL8-P

Dimension Sheet

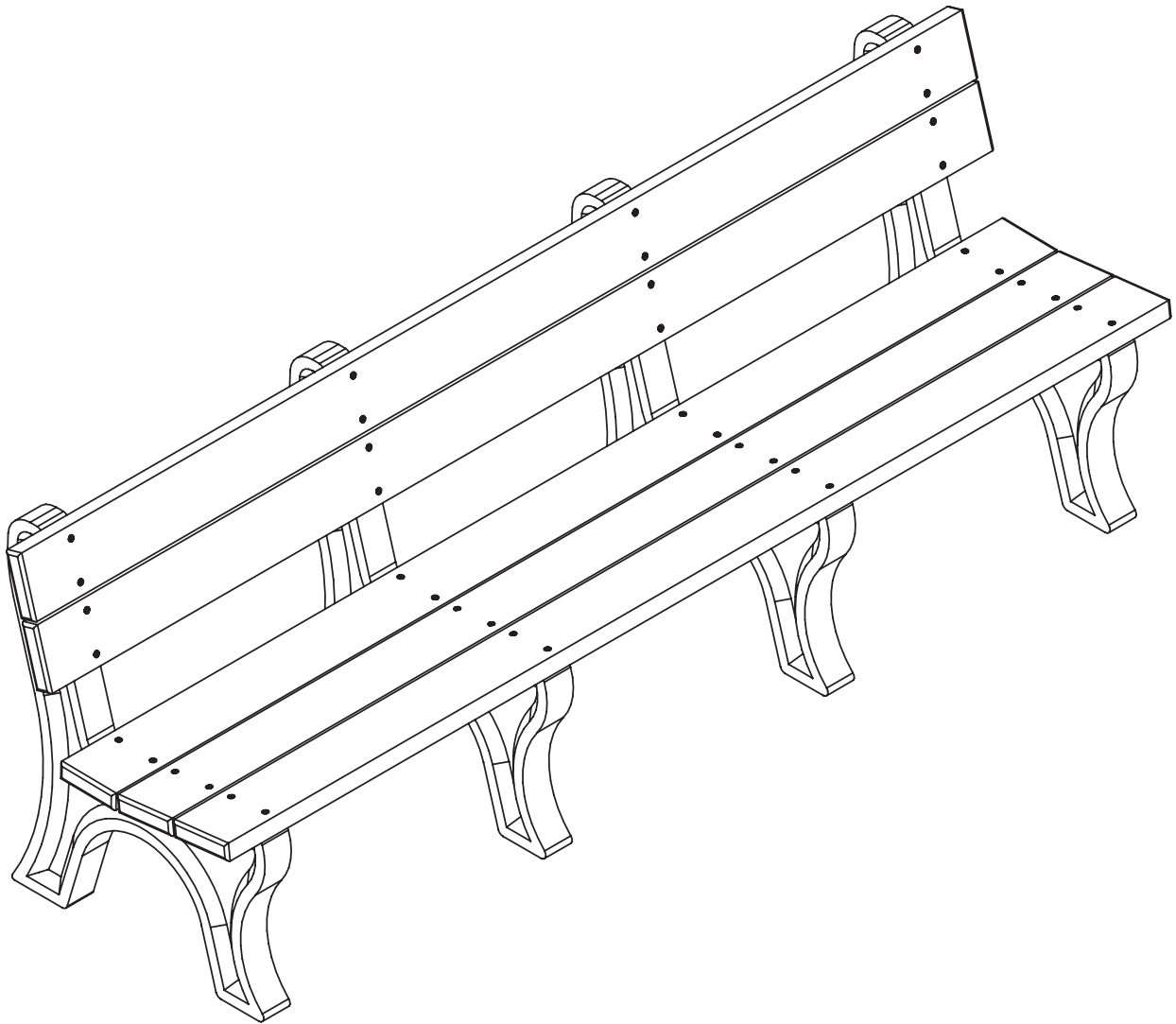
TRADITIONAL BENCH WITH BACK



Model # PL8-P

Instructions Sheet

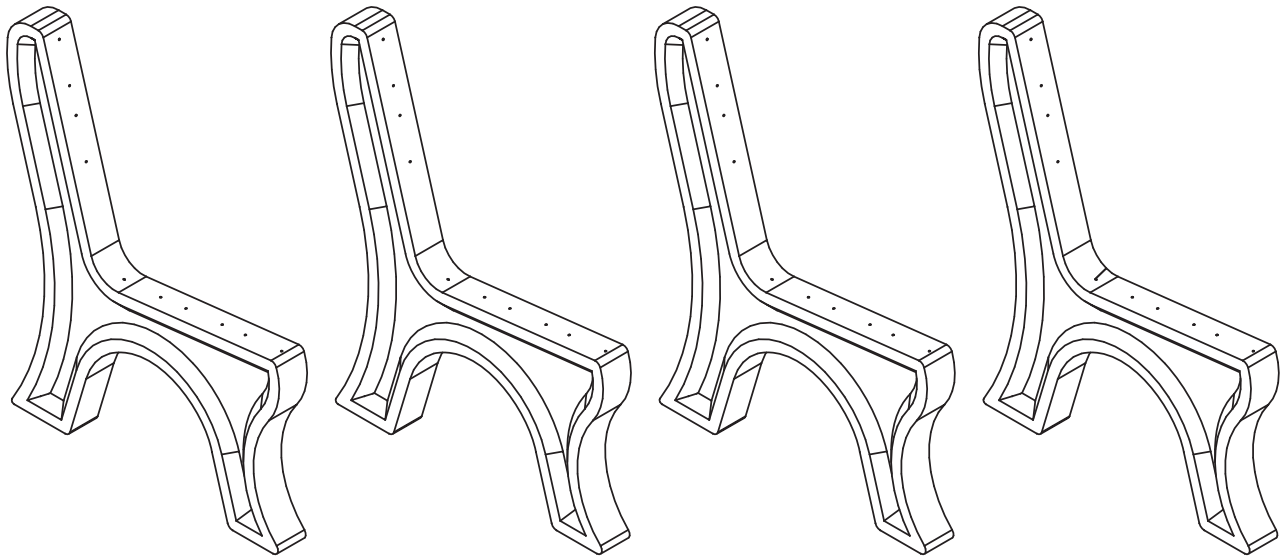
TRADITIONAL BENCH WITH BACK



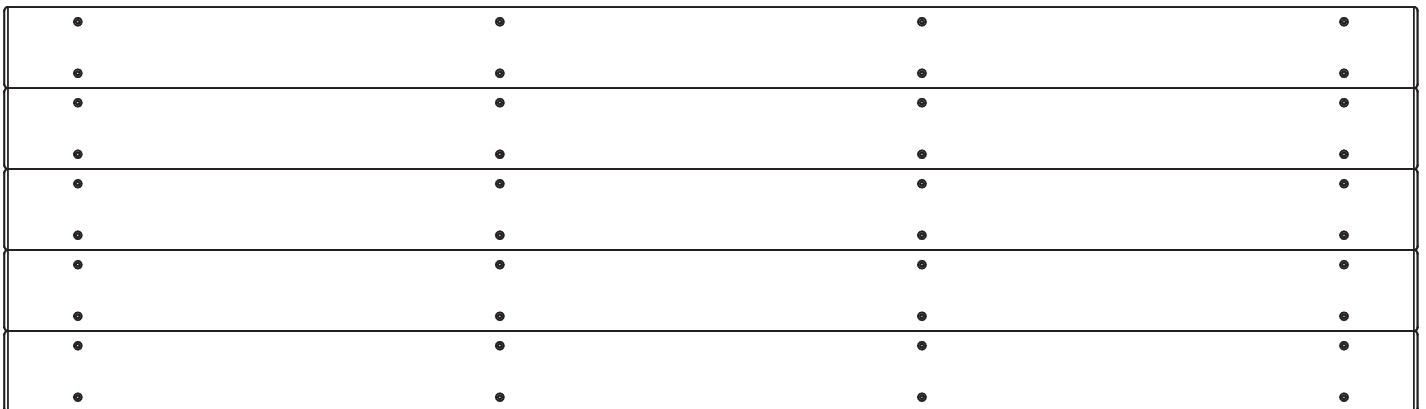
BEFORE ASSEMBLY, PLEASE MAKE SURE ALL COMPONENTS ARE INCLUDED.



FP - FASTENER PACK
(1) - ONE FASTENER PACK



B - BENCH END
(4) - FOUR BENCH ENDS



A - BENCH BOARD
(5) - FIVE BENCH BOARDS

BEFORE ASSEMBLY, PLEASE MAKE SURE ALL FASTENERS ARE INCLUDED.

40 - #12 X 3" FLAT HEAD PHILLIPS SCREW

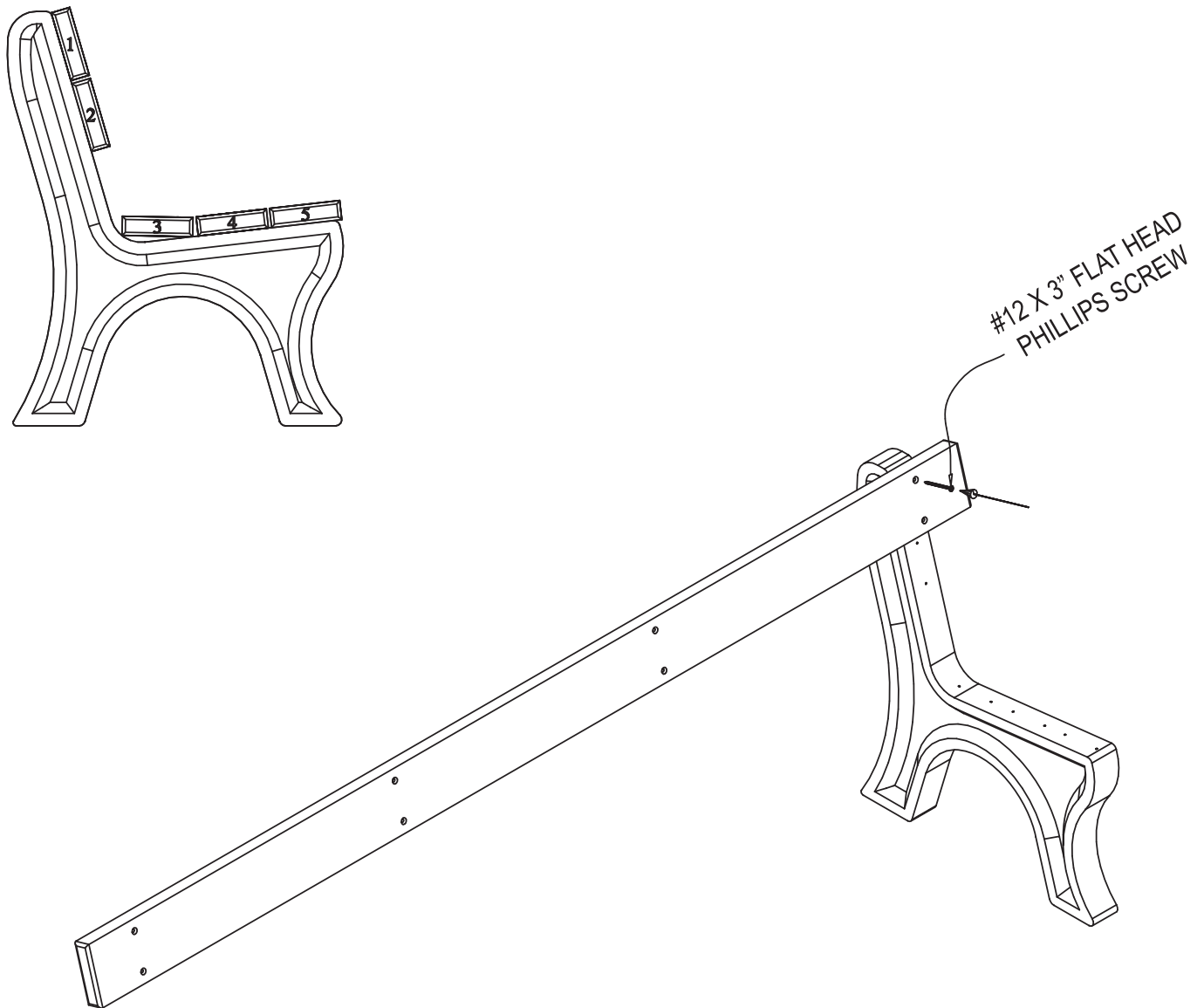


ALSO NEEDED FOR THIS ASSEMBLY WILL BE THE FOLLOWING MATERIALS:

1 - #3 PHILLIPS DRIVE BIT

FIG #1:

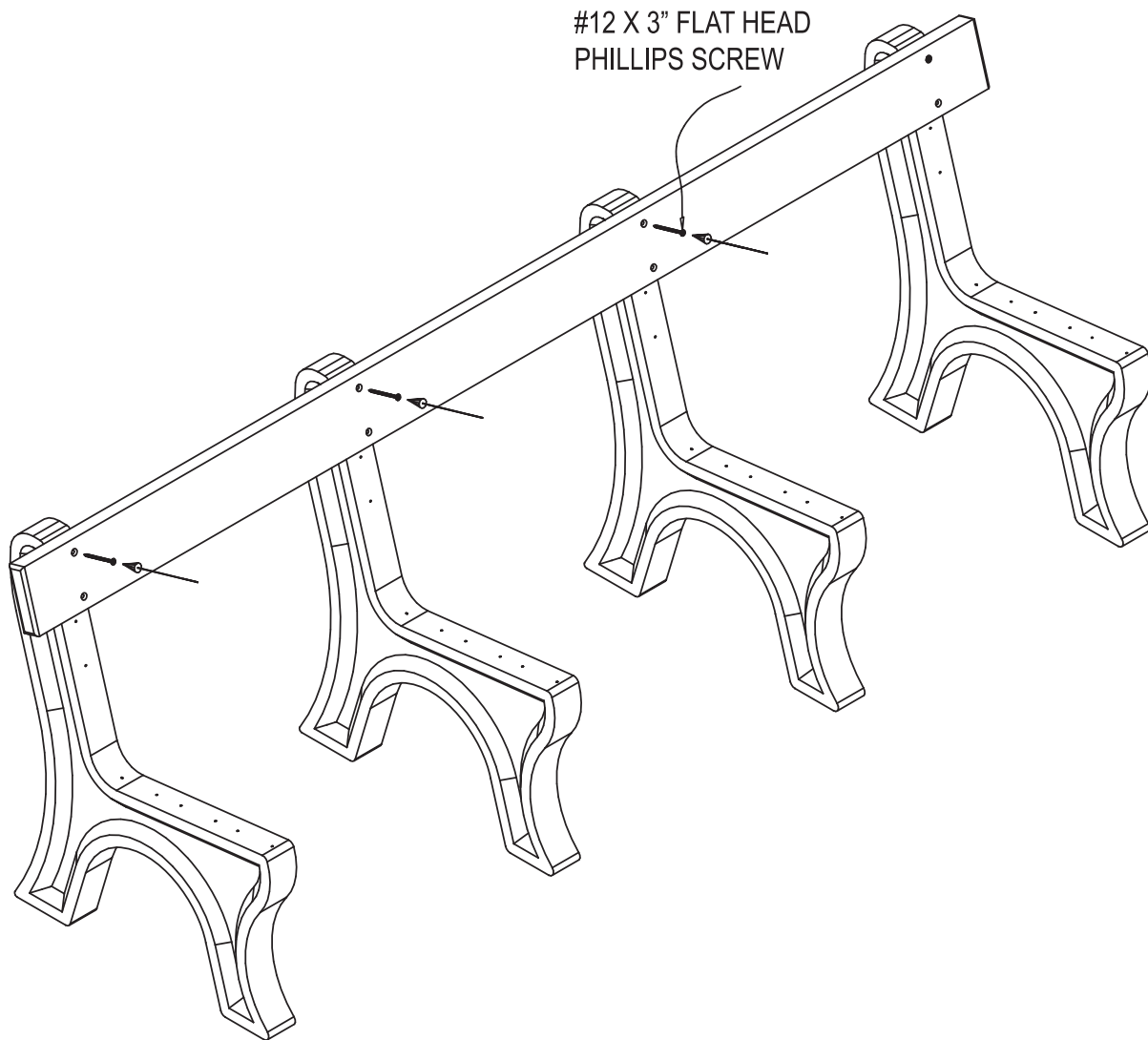
IN ORDER TO MAKE THE ASSEMBLY OF THIS TRADITIONAL BENCH EASIER WHILE GOING THROUGH THE ASSEMBLY PROCESS THE BOARD POSITIONS ARE NUMBERED AND WILL BE REFERENCED IN LATER STEPS.



STEP #1:

STAND (1) ONE BENCH END UPRIGHT AND PLACE (1) ONE BENCH BOARD ON POSITION 1 BEING SURE TO ALIGN THE PRE-DRILLED HOLES TO THE PILOT HOLES IN THE BENCH END. AFTER THE HOLES ARE PROPERLY ALIGNED, FASTEN WITH (1) ONE #12 X 3" FLAT HEAD PHILLIPS SCREW IN THE TOP PRE-DRILLED HOLE.

NOTE: DO NOT TIGHTEN SCREW COMPLETELY. THIS WILL BE DONE IN A LATER STEP.



STEP #2:

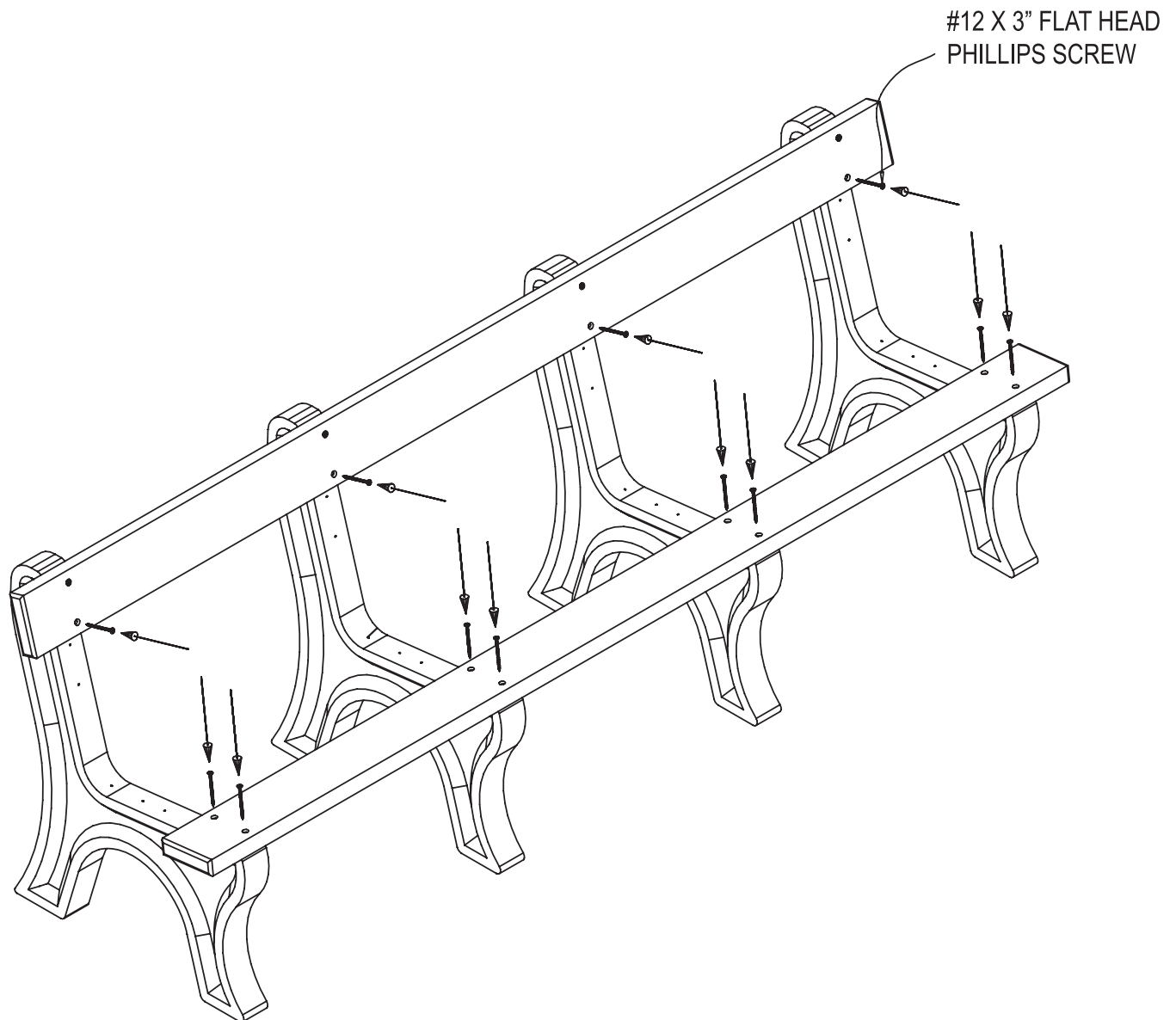
STAND THE OTHER (3) THREE BENCH ENDS UPRIGHT, ONE AT A TIME, AND PLACE THE BENCH BOARD ALREADY ATTACHED TO THE FIRST BENCH END, ON POSITION 1 BEING SURE TO ALIGN THE PRE-DRILLED HOLES TO THE PILOT HOLES IN THE BENCH END. AFTER THE HOLES ARE PROPERLY ALIGNED, FASTEN WITH (1) ONE #12 X 3" FLAT HEAD PHILLIPS SCREW IN THE TOP PRE-DRILLED HOLE.

NOTE: DO NOT TIGHTEN SCREWS COMPLETELY. THIS WILL BE DONE IN A LATER STEP.

STEP #3:

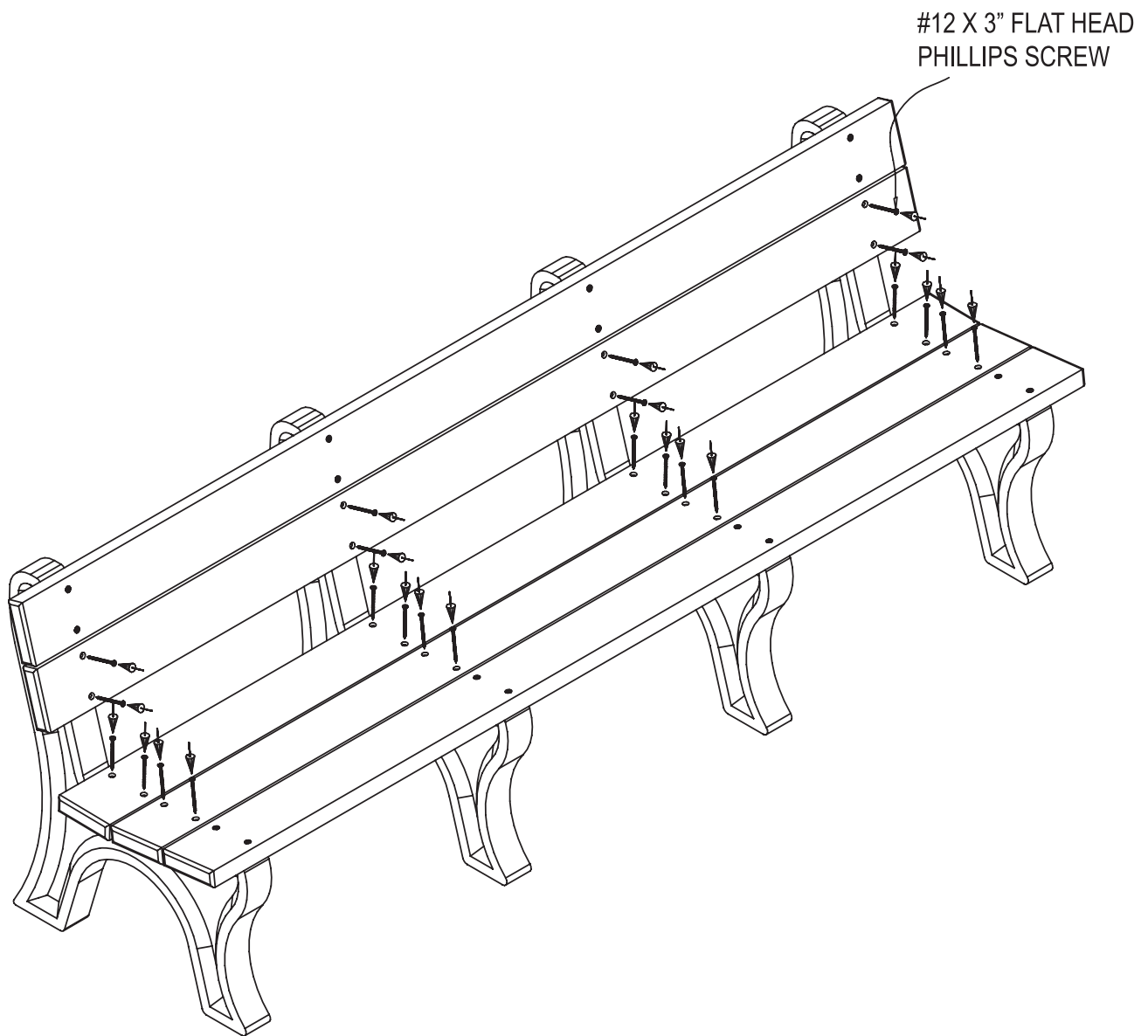
ALIGN BOTTOM PRE-DRILLED HOLES TO THE PILOT HOLES IN THE BENCH END. AFTER THE HOLES ARE PROPERLY ALIGNED, FASTEN WITH (1) ONE #12 X 3" FLAT HEAD PHILLIPS SCREW PER HOLE.

NOTE: BE SURE TO TIGHTEN SCREWS COMPLETELY AFTER THIS STEP.



STEP 4:

PLACE A SECOND BENCH BOARD ON POSITION 5. REPEAT STEPS 1 - 3 TO ATTACH. USE (1) ONE #12 X 3" FLAT HEAD PHILLIPS SCREW PER HOLE TO FASTEN.



STEP #5:
REPEAT STEPS 1 - 3 TO ATTACH BENCH BOARDS ON POSITIONS 2, 3 & 4. USE (1) ONE #12 X 3"
FLAT HEAD PHILLIPS SCREW PER HOLE TO FASTEN.