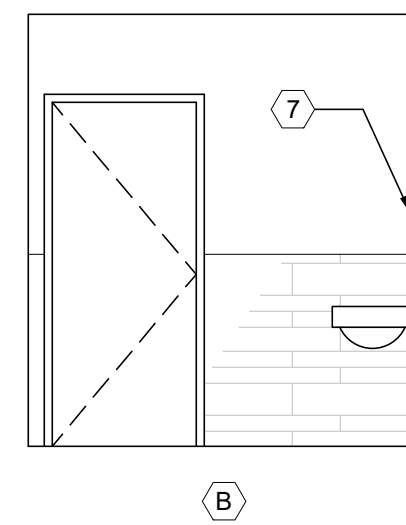


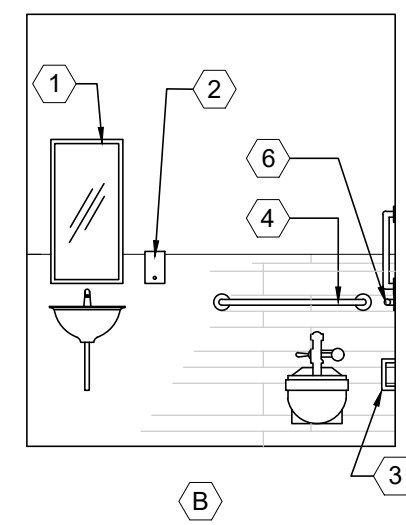
NO	REVISION	DATE

ISSUED FOR: _____
ISSUE DATE: _____
SCALE: _____
DESIGNED BY: _____
DRAWN BY: _____
CHECKED BY: _____

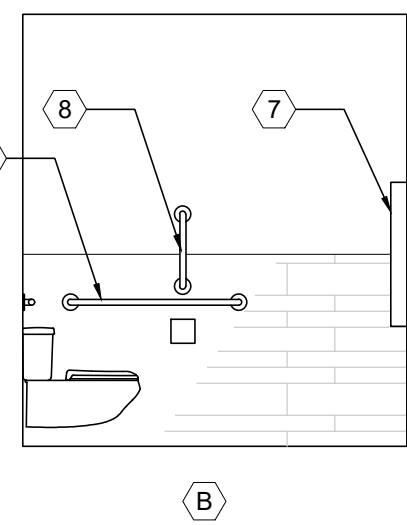
PROJECT NO.
190065
DISCIPLINE
ARCHITECTURAL
SHEET NAME
A-06
SHEET OF
38 49



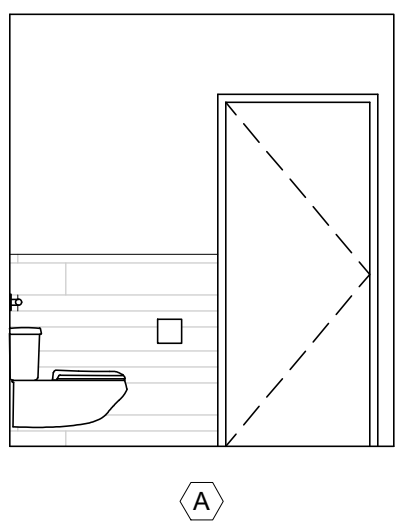
INTERIOR ELEVATION
A
A-04 SCALE: 1/4" = 1'-0"



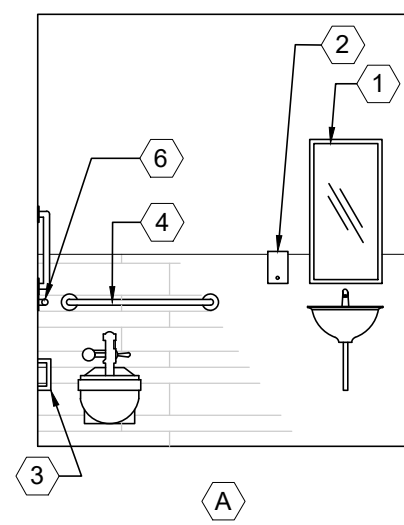
INTERIOR ELEVATION
B
A-04 SCALE: 1/4" = 1'-0"



INTERIOR ELEVATION
C
A-04 SCALE: 1/4" = 1'-0"



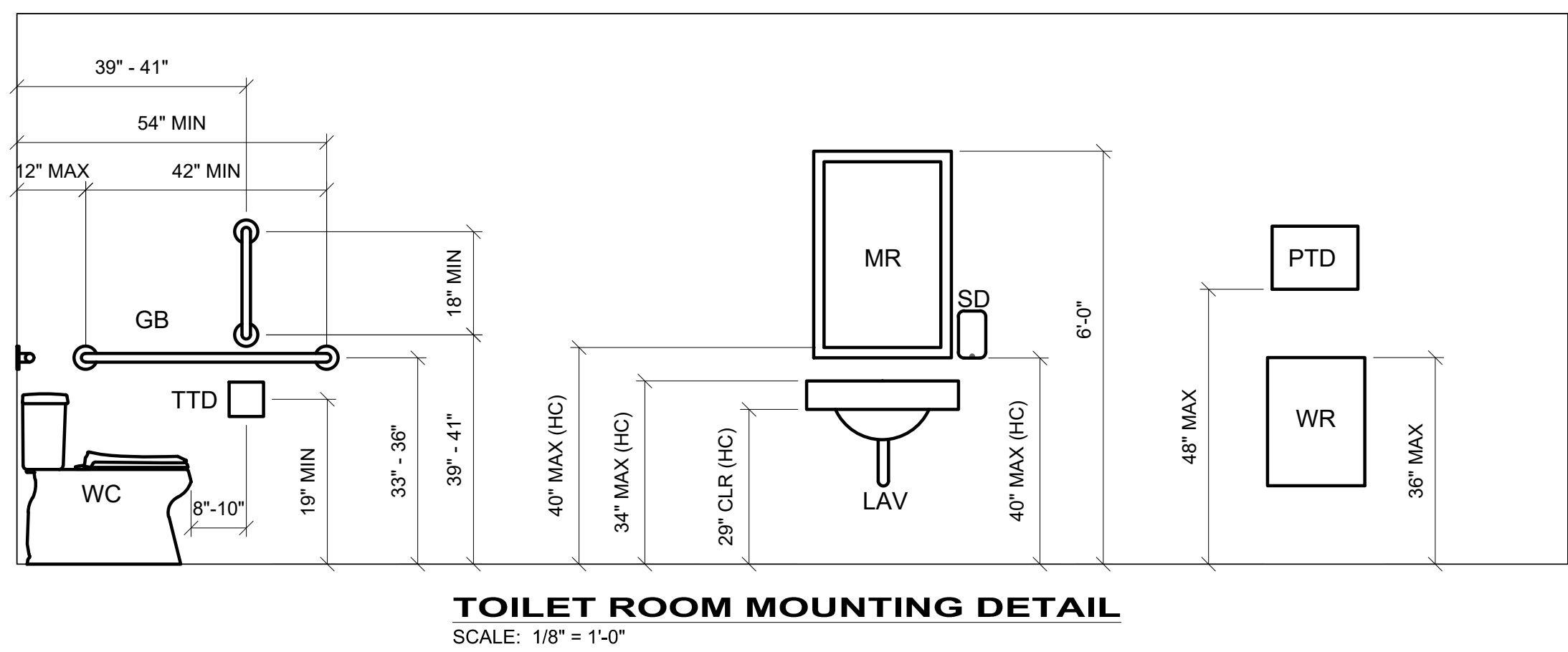
INTERIOR ELEVATION
D
A-04 SCALE: 1/4" = 1'-0"



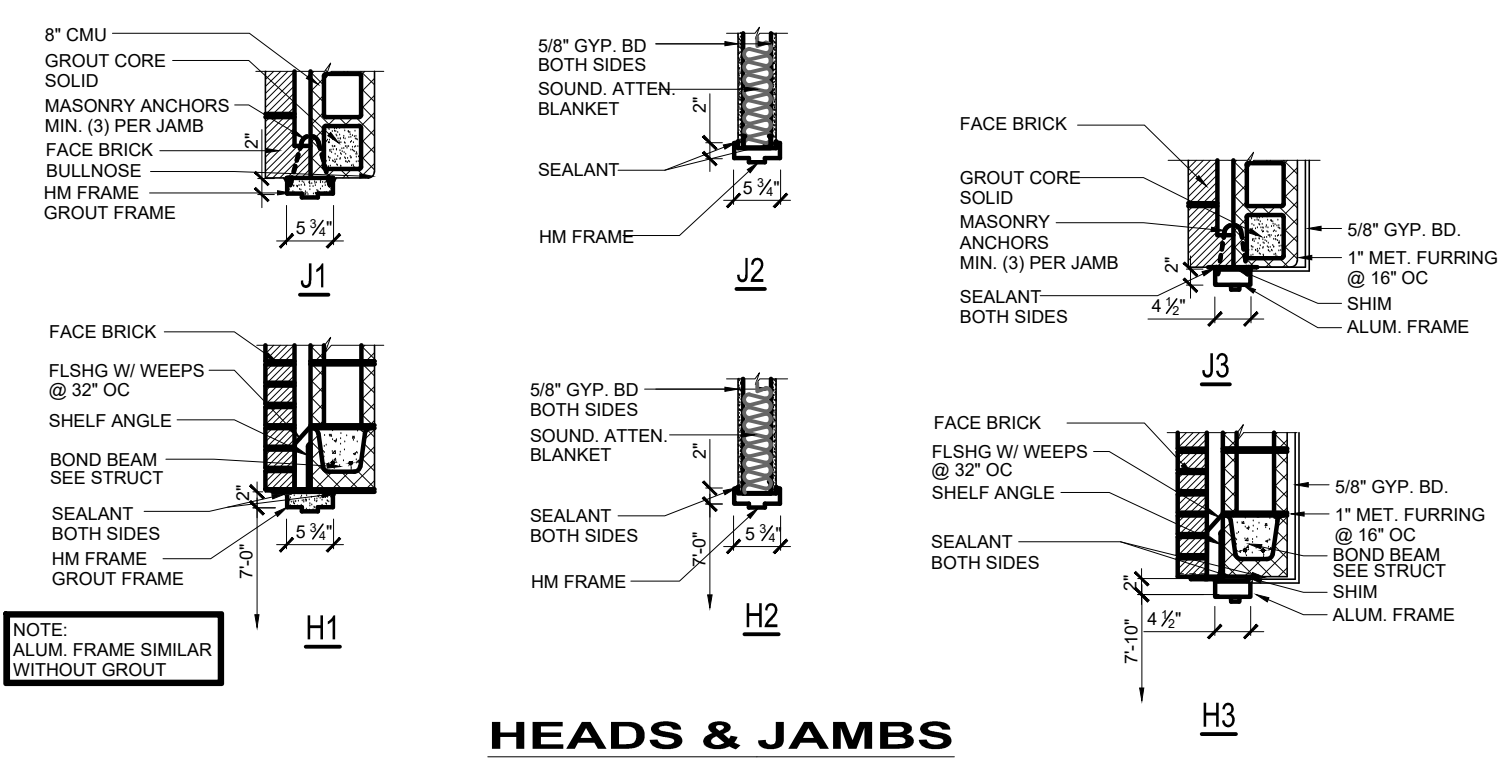
INTERIOR ELEVATION
E
A-04 SCALE: 1/4" = 1'-0"

DOOR SCHEDULE												
OPENING NUMBER	DOOR					FRAME					REMARKS	
	MATERIAL	TYPE	WIDTH	HEIGHT	THICKNESS	MATERIAL	TYPE	DETAIL				LINTEL
								HEAD	JAMB	SILL		
WICKLIFFE PARK-N-RIDE												
101	AL	D1	36"	96"	1-3/4"	AL	F1	-	-	-	6	
102	AL	D1	36"	96"	1-3/4"	AL	F1	-	-	-	6	
103	WD	D1	36"	86"	1-3/4"	HM	F2	H4	J4	-	3	
104	HM	D1	36"	94"	1-3/4"	HM	F3	H1	J1	-	2	
105	HM	D1	36"	86"	1-3/4"	HM	F2	H2	J2	-	1	
106	WD	D1	36"	86"	1-3/4"	HM	F2	H2	J2	-	1	
107	WD	D1	(2) 36"	86"	1-3/4"	HM	F2	H2	J2	-	1	
108	AL	D2	36"	94"	1-3/4"	AL	F4	H3	J3	-	4	
-	-	-	-	-	-	-	-	-	-	-	-	

ROOM FINISH SCHEDULE												
NUMBER	ROOM NAME	FINISHES								REMARKS		
		FLOOR	BASE	WALLS				CEILING				
				NORTH	EAST	SOUTH	WEST	TYPE	HEIGHT			
WICKLIFFE PARK-N-RIDE												
100	TRANSIT WAITING ROOM	F1	B2	PT1	PT2	PT2	PT1	C1	-			
101	TOILET ROOM	F1	B2	PT1	PT2	PT2	PT1	C1	-			
102	TOILET ROOM	F1	B2	PT1	PT2	PT2	PT1	C1	-			
103	SERVER ROOM	F1	B2	PT1	PT2	PT2	PT1	C1	-			
104	MECH ROOM	F1	B2	PT1	PT2	PT2	PT1	C1	-			
105	GEAR ROOM	F1	B2	PT1	PT2	PT2	PT1	C1	-			
		FLOOR		BASE		WALLS		CEILING				
		F1	SEALED CONCRETE	B1	CERAMIC TILE	CT	CERAMIC TILE	C1	EXPOSED CEILING (PNT)			
		F2	CERAMIC TILE	B2	RUBBER	ST	STOREFRONT	C2	GYP BD (PAINTED)			
						PT1	PAINTED GYP. BD.	C3	S.A.C.			
						PT2	PAINTED CMU					

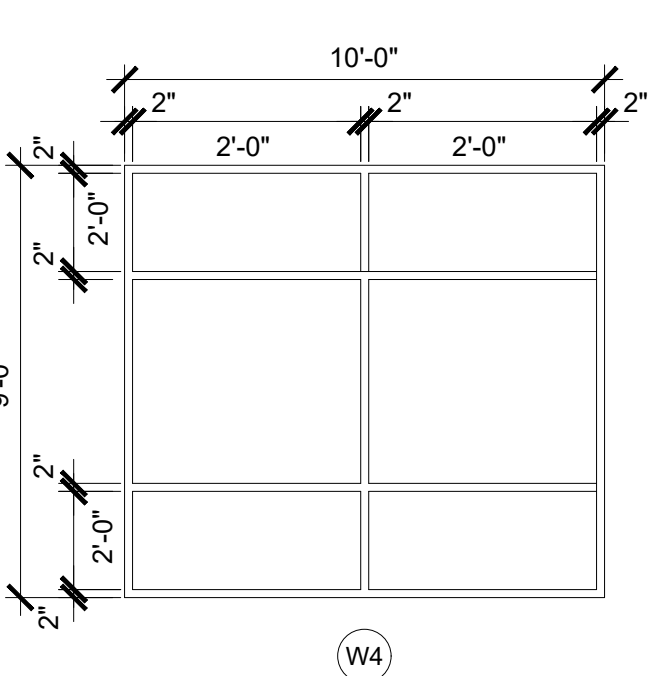
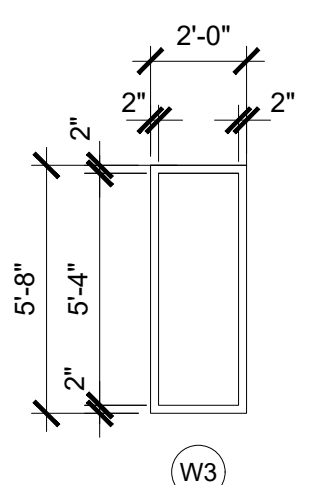
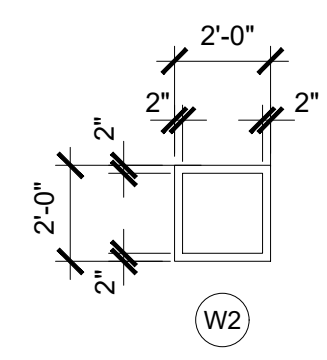
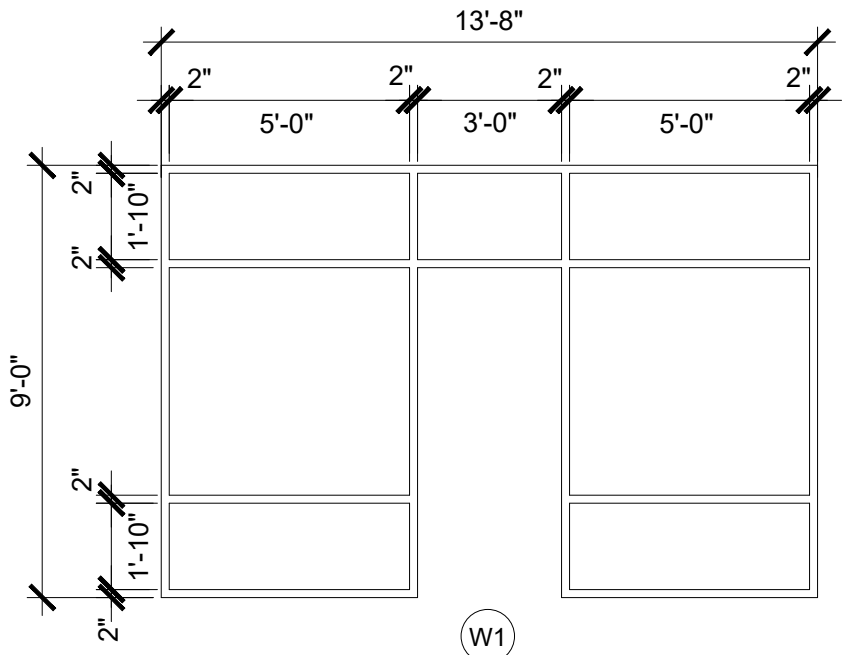


TOILET ROOM MOUNTING DETAIL
SCALE: 1/8" = 1'-0"

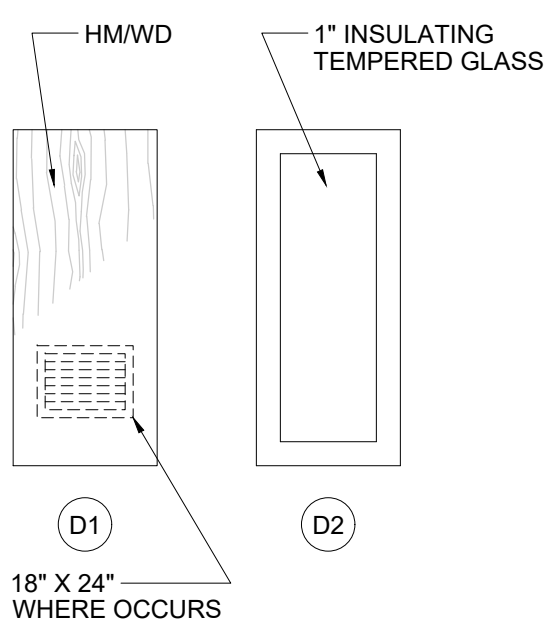
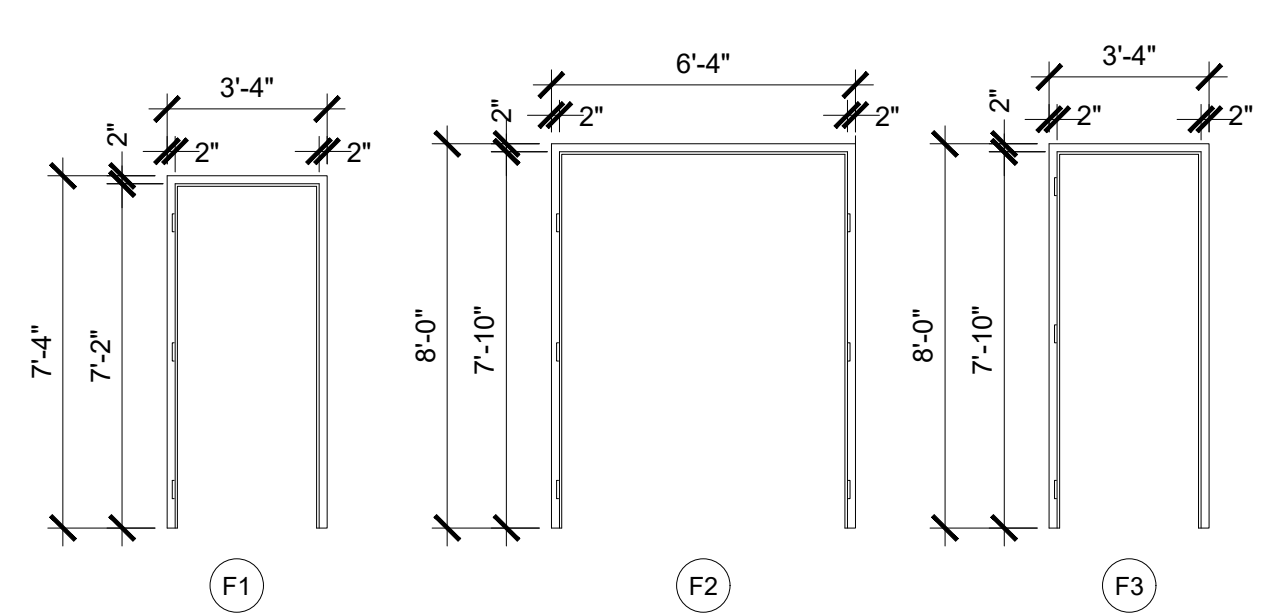


HEADS & JAMBS
SCALE: 1/8" = 1'-0"

TOILET ROOM ACCESSORIES-LEGEND	
1	24"x36" FLAT MIRROR (SURFACE MOUNTED)
2	SOAP DISPENSER/ SURFACE MOUNT
3	TOILET PAPER DISPENSER SURFACE MOUNT
4	36" GRAB BARS
5	PAPER TOWEL AND WASTE RECEPTICLE
6	42" GRAB BARS
7	BABY CHANGING STATION - KOALA KB 200 - SEE SPEC. SEE FLOOR PLANS FOR LOCATION, TYP. OF 4.
8	18" GRAB BARS



WINDOWS & FRAMES
SCALE: 1/8" = 1'-0"



DOORS & FRAMES
SCALE: 1/8" = 1'-0"

LAKETRAN WICKLIFFE PARK-N-RIDE LOT
29610 LAKELAND BLVD., WICKLIFFE, OH 44092

SCHEDULES & DETAILS