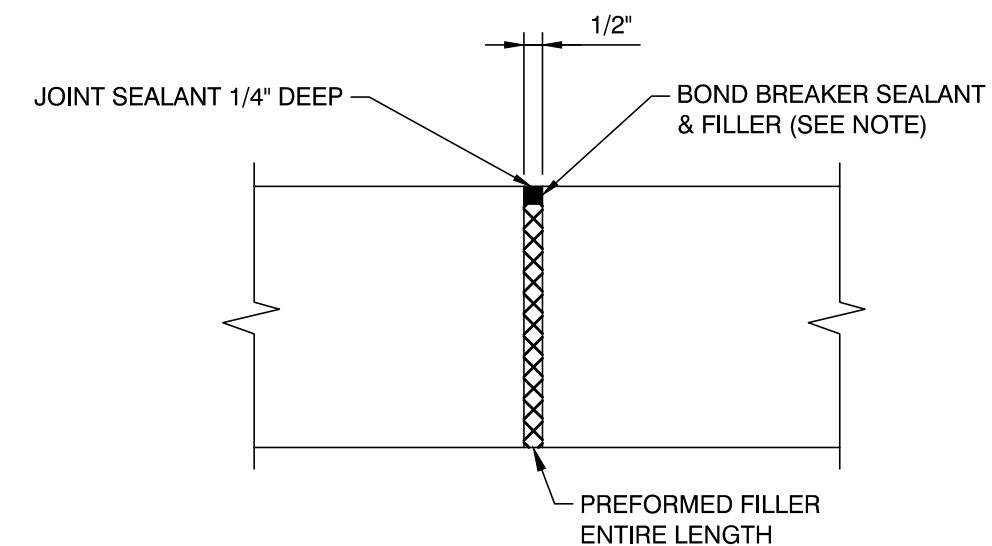


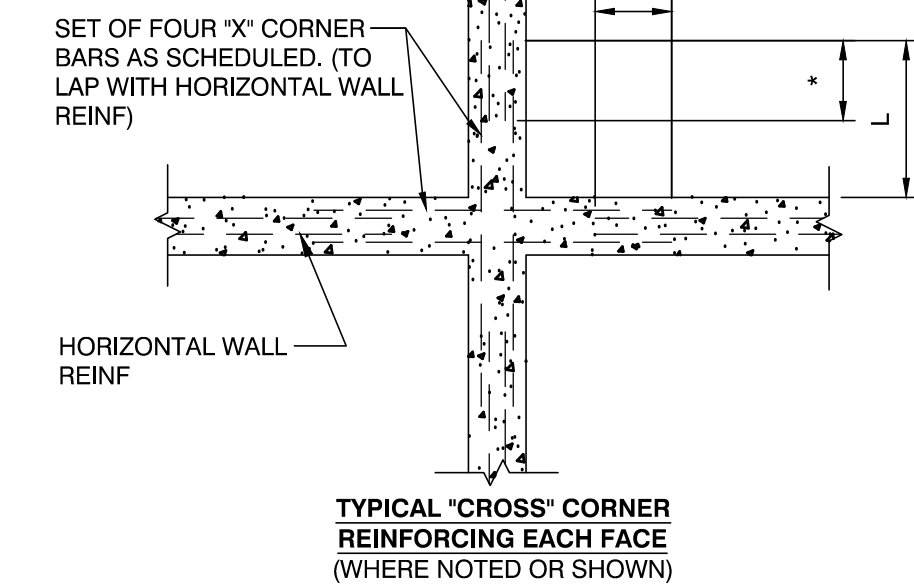
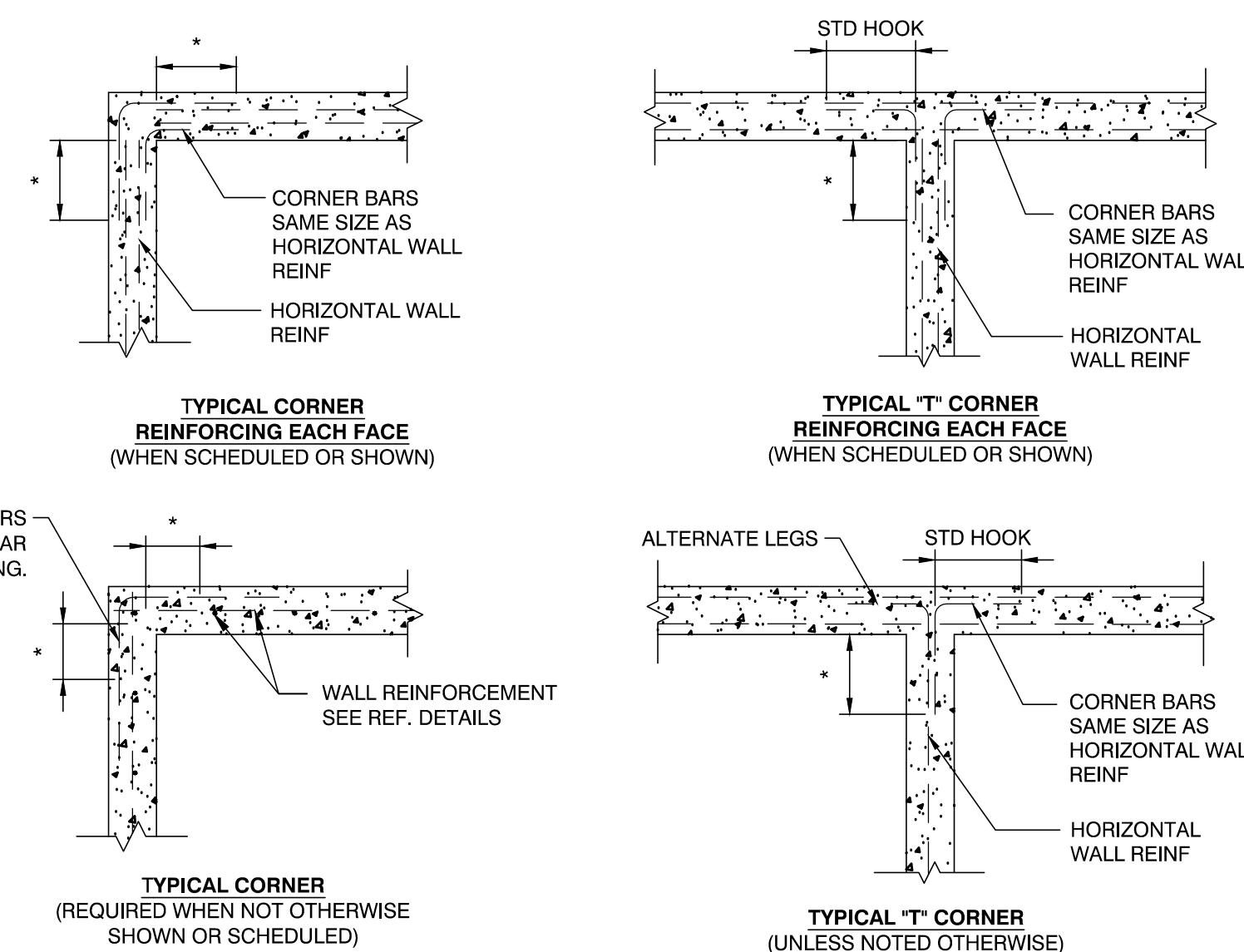
\* ALL REINFORCING WHICH IS CUT BY THE OPENING SHALL BE ADDED EQUALLY TO EACH SIDE OF THE OPENING AND PLACED BETWEEN NORMAL REINFORCING @ 3" O.C.  
 NOTE:  
 1. THIS DETAIL TO BE USED FOR ANY OPENING GREATER THAN 18" Ø OR 18" SQUARE IN WALLS OR SLABS UNLESS FRAMED BY BEAMS OR WALLS.  
 2. L = LAP SPLICE LENGTH AS GIVEN IN LAP SPLICE TABLE ON THIS SHEET.  
 3. ld = ANCHORAGE LENGTH AS GIVEN IN TABLE ON THIS SHEET.

1  
S-07  
**TYP. OPENING REINFORCING**  
SCALE: NTS



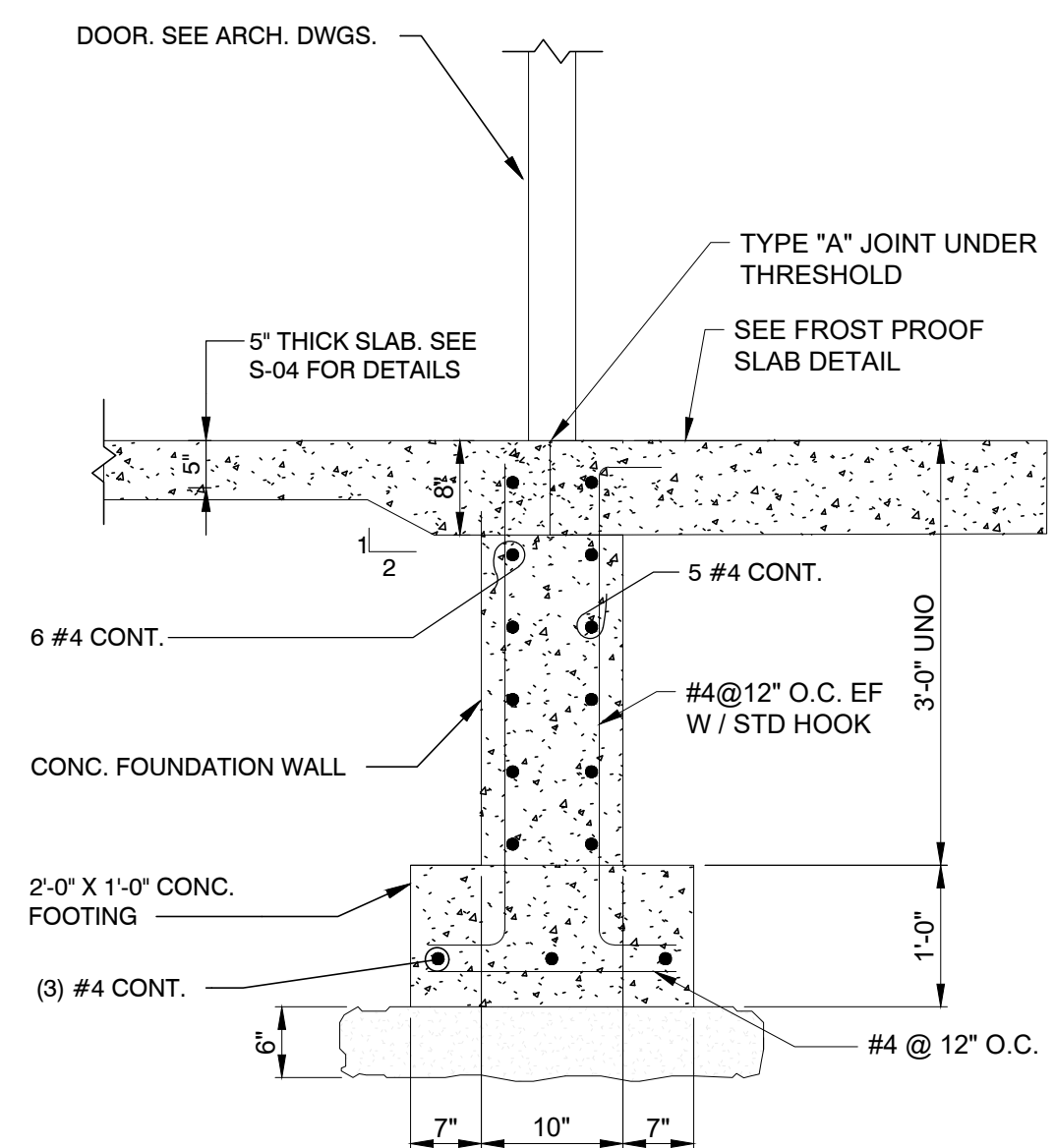
NOTE:  
 APPLY BOND BREAKER SUCH AS FOIL OR POLYETHYLENE TAPE BETWEEN FILLER MATERIAL AND JOINT SEALANT ONLY. SEALANT SHALL ADHERE TO BOTH CONCRETE SURFACES ONLY.

2  
S-07  
**TYPE "A" JOINT**  
SCALE: NTS

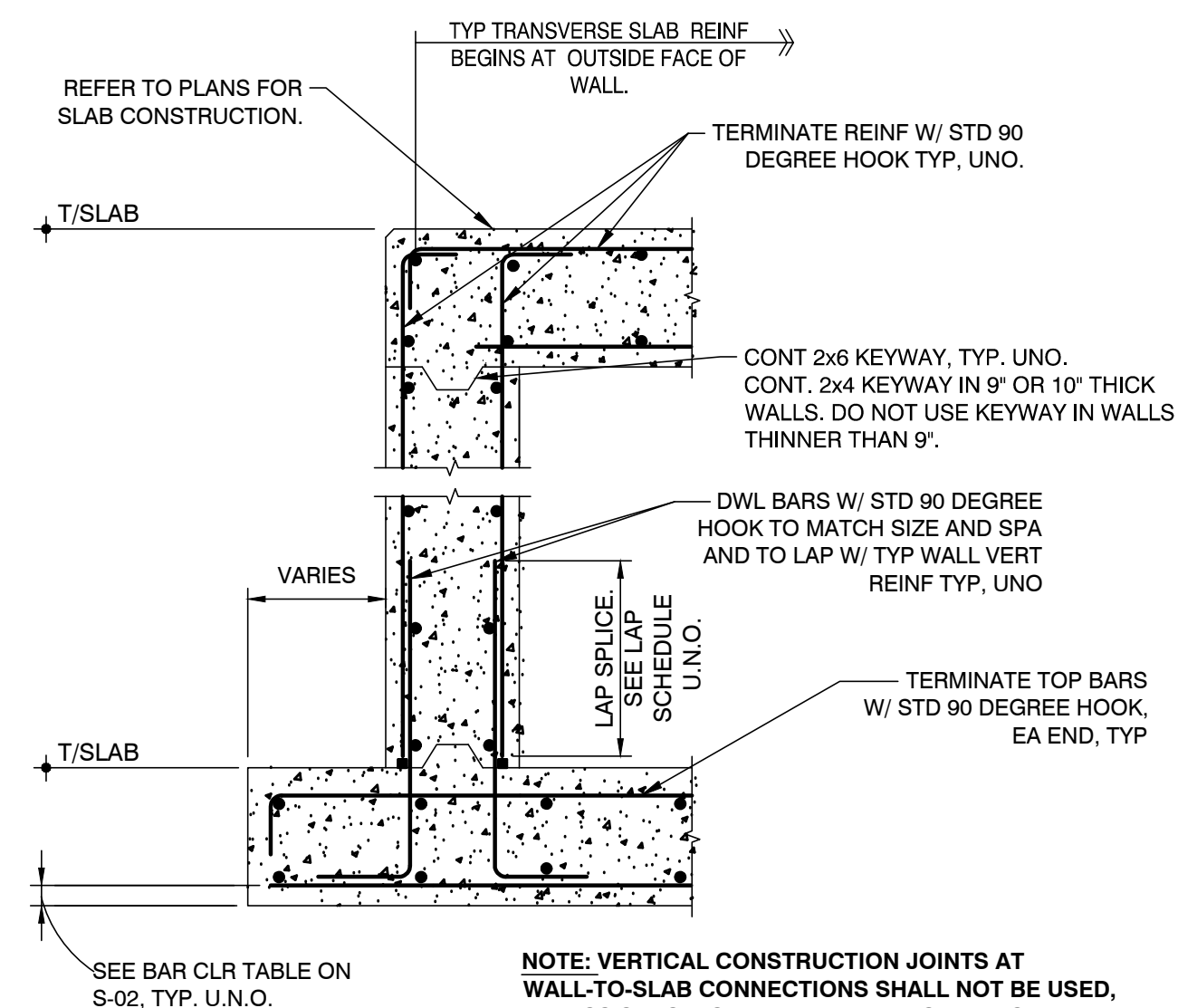


NOTE:  
 1. VERTICAL REINFORCING NOT SHOWN  
 2. L = 4'-0" UNLESS NOTED OTHERWISE  
 3. \* = CLASS 'B' SPLICE LENGTH AS GIVEN IN 'MINIMUM LAP SPLICE AND ANCHORAGE TABLE'.

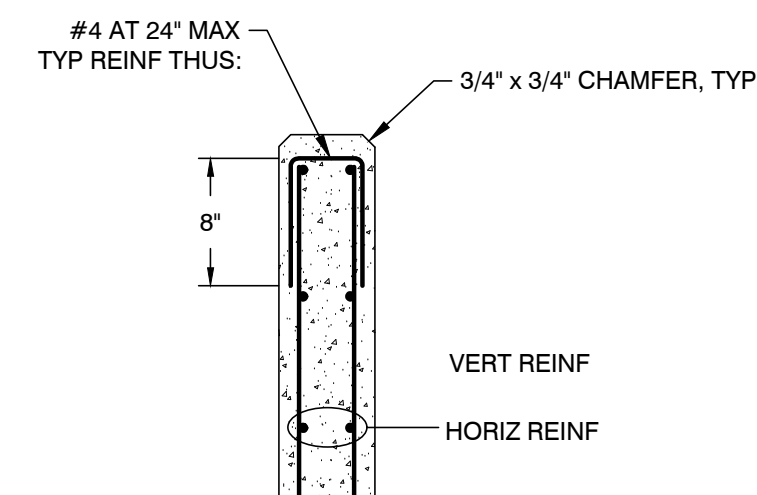
3  
S-07  
**TYP. HORIZONTAL CORNER CONCRETE REINFORCING DETAILS**  
SCALE: NTS



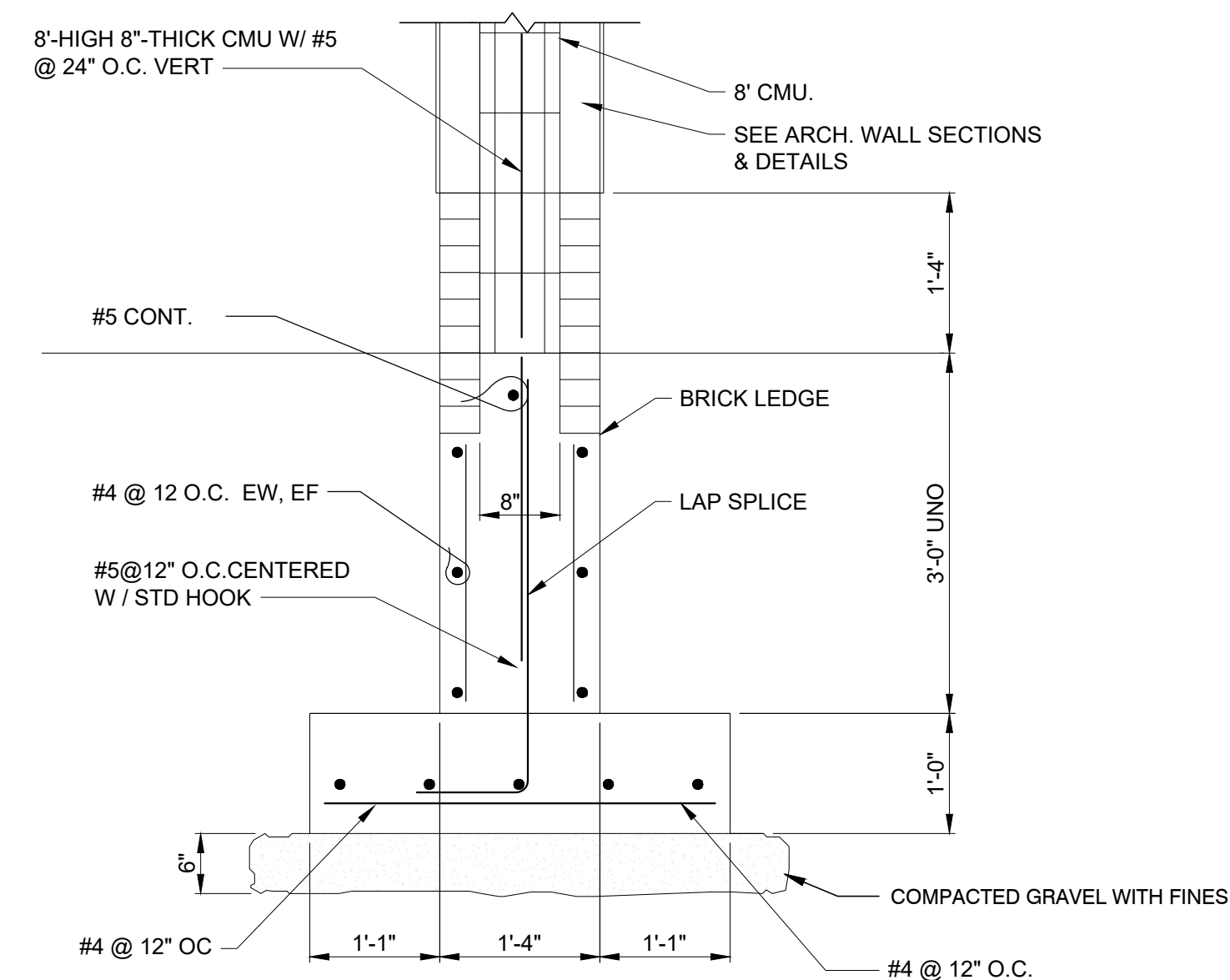
6  
S-07  
**TYPE SLAB OVERPOUR**  
SCALE: NTS



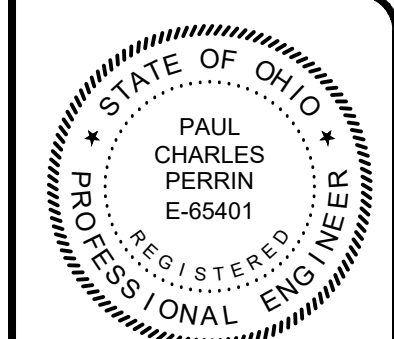
5  
S-07  
**TYP. CONCRETE WALLS/SLAB CONSTRUCTION JOINT DETAIL**  
SCALE: NTS



6  
S-07  
**TYP. DOWELED EXPOSED CONCRETE WALLS**  
SCALE: NTS



7  
S-07  
**TYP. 8'-HIGH CMU SCREEN WALL**  
SCALE: NTS



NO	REVISION	DATE

ISSUED FOR:	CD	4/10/20	AS NOTED	PCP	RLM	PCP
ISSUE DATE:						
SCALE:						
DESIGNED BY:						
DRAWN BY:						
CHECKED BY:						

**LAKETRAN WICKLIFFE PARK-N-RIDE LOT**  
 29610 LAKELAND BLVD., WICKLIFFE, OH 44092

**STRUCTURAL DETAILS**

PROJECT NO.	190065
DISCIPLINE	STRUCTURAL
SHEET NAME	S-07
SHEET	32
OF	49