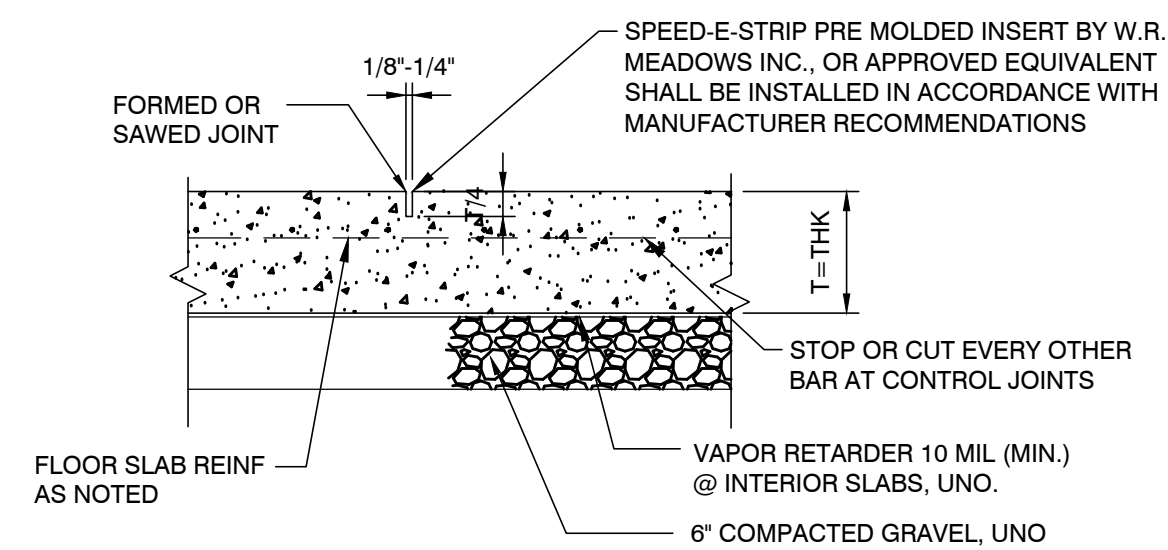


NOTES:
 EXPANSION JOINT FILLER SHALL BE HELD RIGIDLY IN POSITION AND SHALL BE CONTINUOUS. THE FACE OF THE EXPANSION JOINT SHALL BE PERPENDICULAR TO THE CONCRETE SURFACE AND SHALL NOT BE SKEWED HORIZONTALLY. SMOOTH DOWELS SHALL BE USED, AND FREE MOVEMENT SHALL BE PROVIDED BY APPLYING A COAT OF AN OIL SUCH AS S.A.E. 140 OR OTHER 'BOND-BREAKING' MATERIAL PRIOR TO PLACING THE CONCRETE.* ONE FREE END OF EACH DOWEL SHALL BE EQUIPPED, AFTER COATING, WITH A SLEEVE OF METAL OR OTHER APPROVED MATERIAL APPROXIMATELY 3" LONG. DESIGNED WITH CRIMPED END AND OVERLAPPING SEAMS. FITTING CLOSELY AROUND THE DOWEL. EACH SLEEVE SHALL BE PROVIDED WITH A DEPRESSION OR INTERIOR PROJECTION TO ACT AS A STOP FOR THE DOWEL. SUFFICIENTLY DISTANT FROM THE CRIMPED END TO ALLOW 1" FOR LONGITUDINAL DOWEL MOVEMENT WITH SLAB EXPANSION. PROPER SIZE DOWEL HOLES SHALL BE PUNCHED OR DRILLED INTO THE PREFORMED EXPANSION JOINT FILLER IN ORDER TO ENSURE TIGHT FITTING DOWELS.

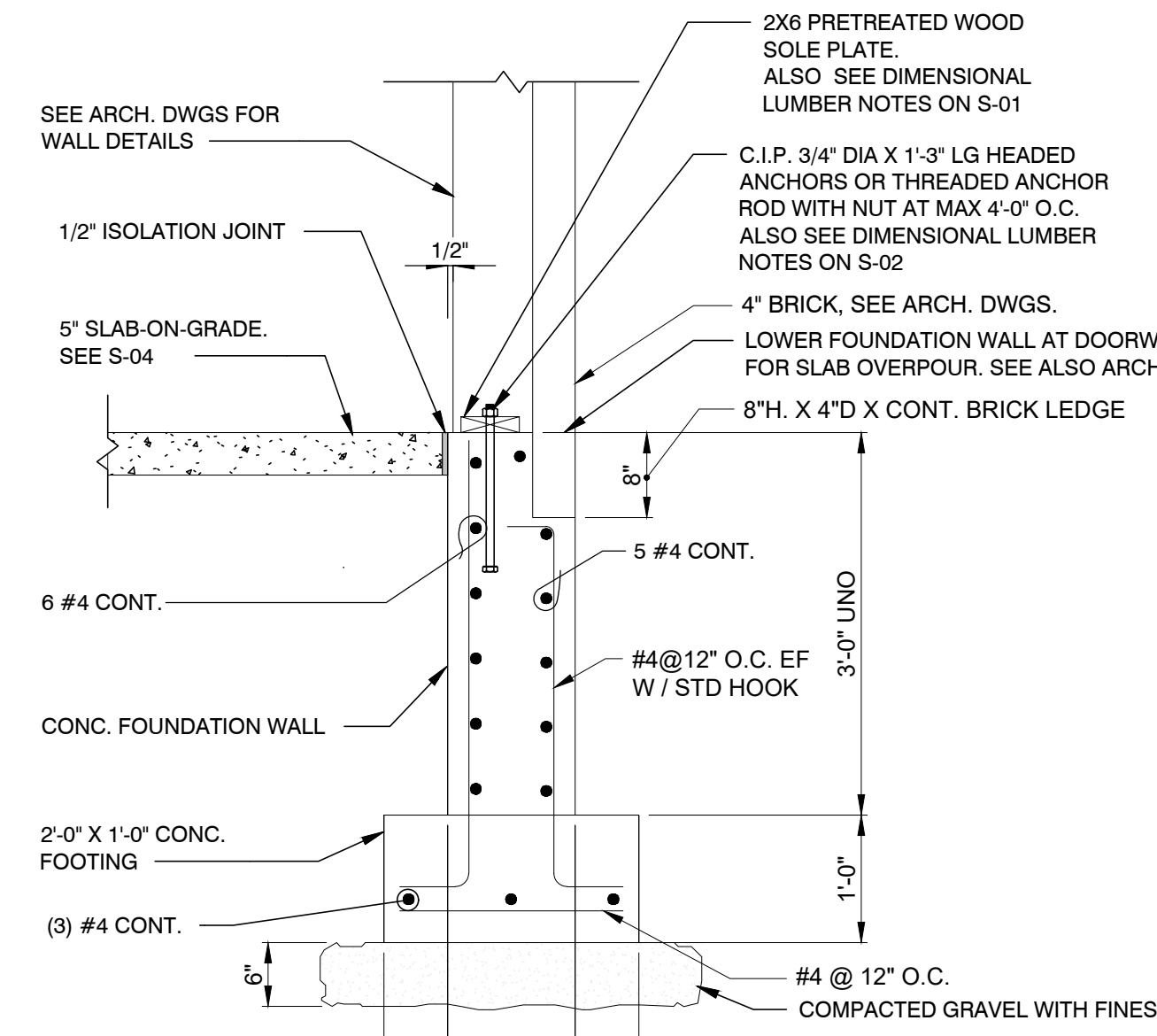
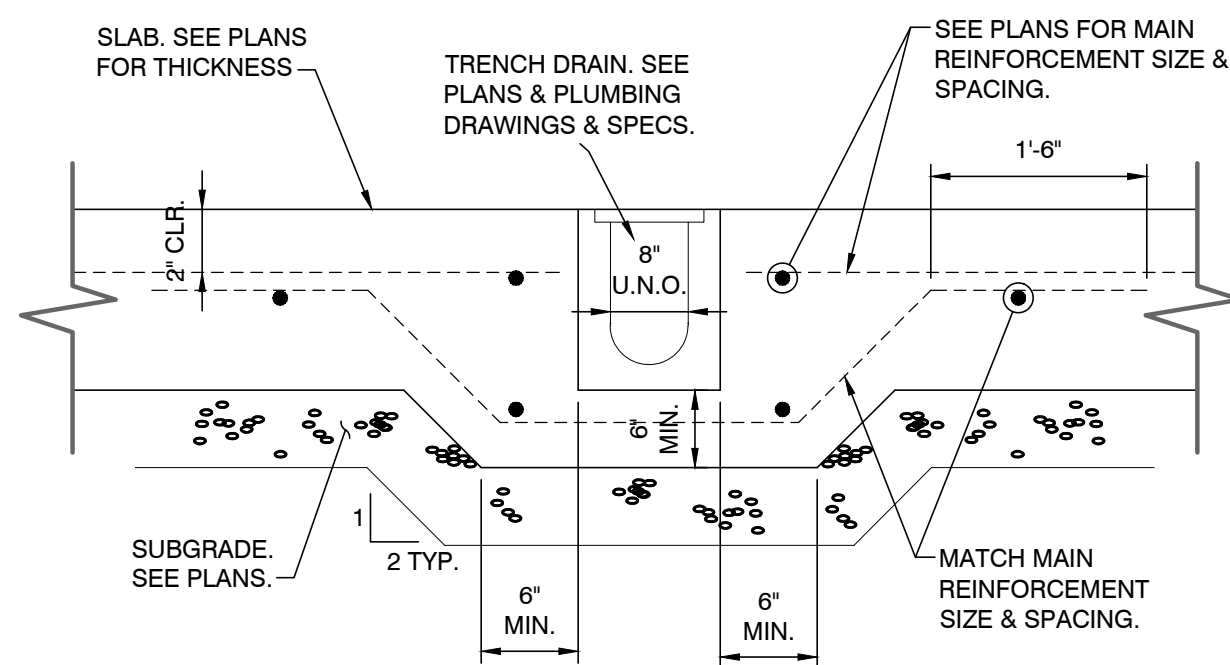
1 TYP. DOWELED EXPANSION JOINT DETAIL
 SCALE: NTS



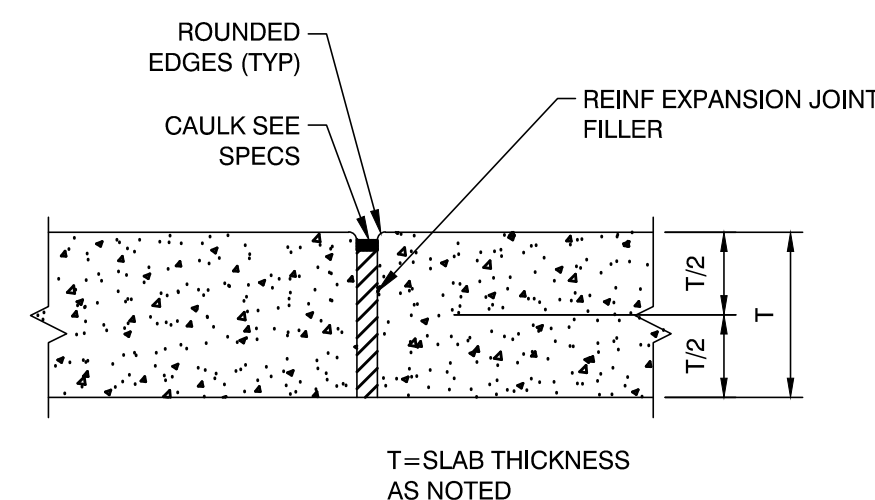
NOTE:
 1. THE 'SOFF-CUT' MACHINE BY SOFF-CUT INTERNATIONAL MAY BE USED TO CUT CONTROL JOINTS WITHIN APPROXIMATELY 2 HOURS AFTER FINAL FINISHING. THE DEPTH OF CUT SHALL BE AS RECOMMENDED BY THE MANUFACTURER.
 2. IF CONTROL JOINTS ARE SAW CUT PER NOTE #1 THEY SHALL BE FLUSHED WITH CLEAN WATER, ALLOWED TO DRY AND THEN FILLED WITH A JOINT SEALANT.

5 TYPICAL SLAB-ON-GRADE W/ CONTROL JOINT TYPE "CJ"
 SCALE: NTS

6 TYP. TRENCH DRAIN
 SCALE: NTS

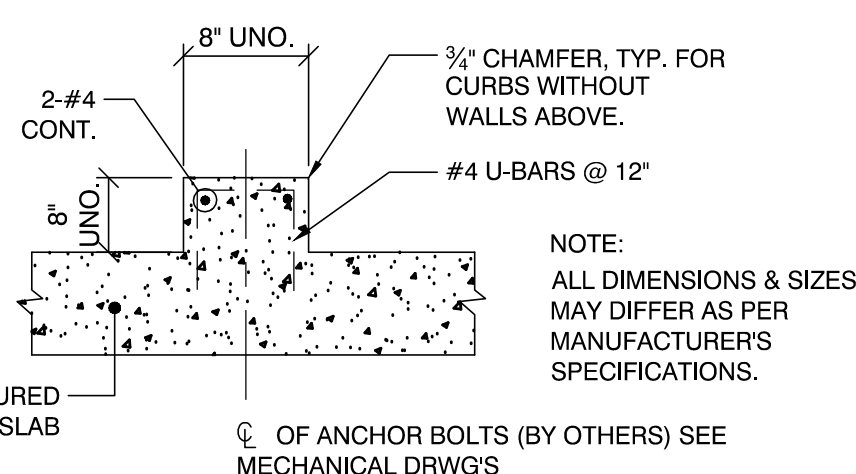


10 TYP. EXTERIOR WALL FOOTING DETAIL
 SCALE: 3/4" = 1'-0"



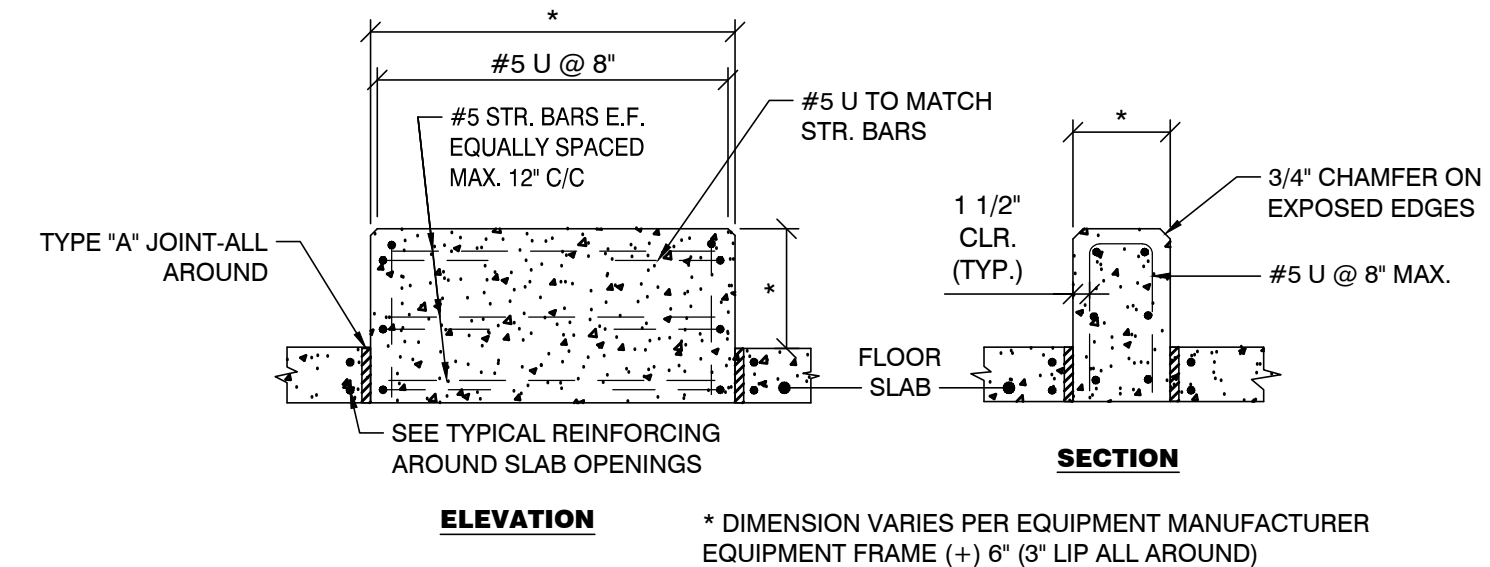
NOTE: REINFORCING SHALL NOT EXTEND THRU JOINT.

3 TYP. EXPANSION JOINT DETAIL
 SCALE: NTS

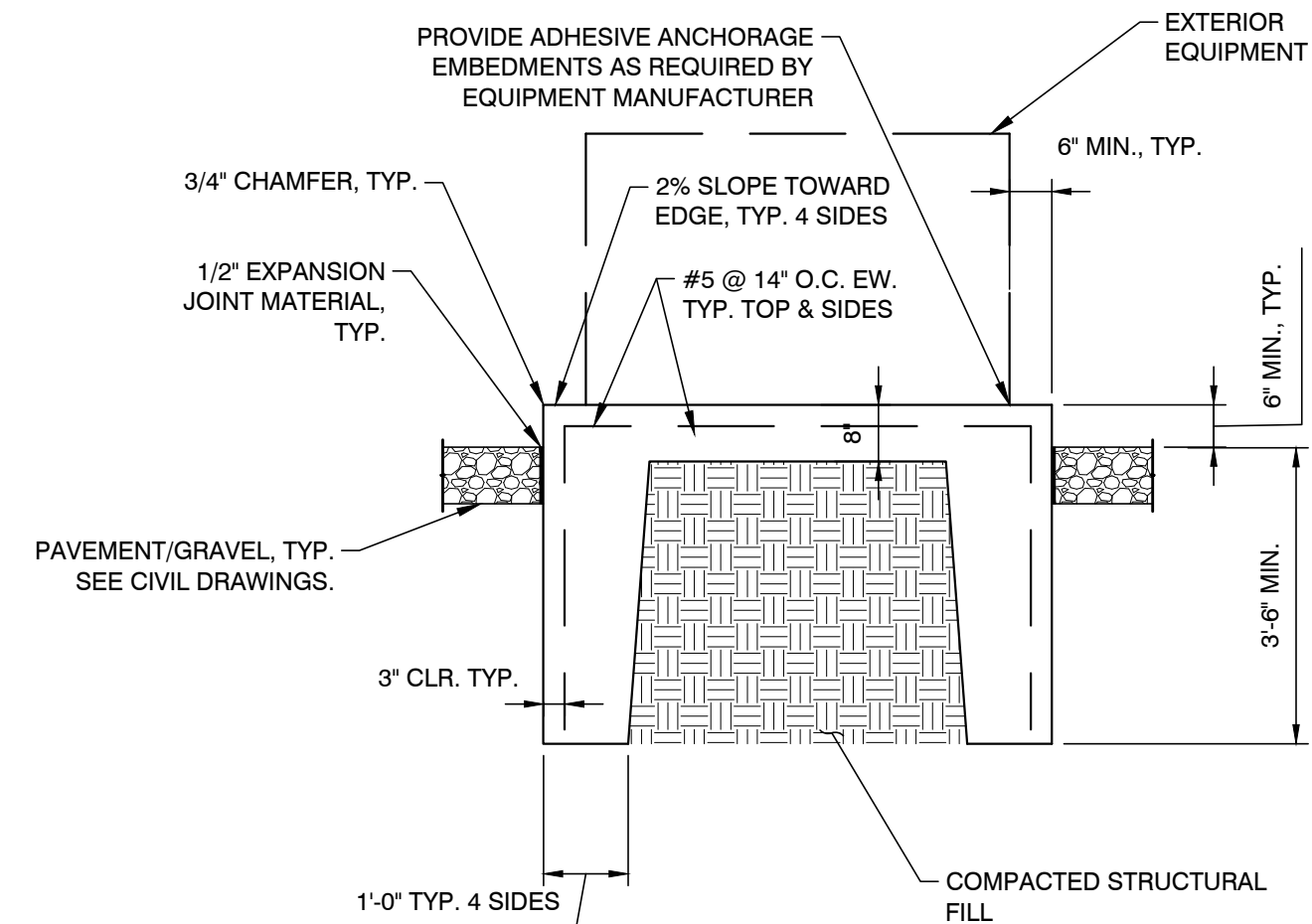


NOTE: THIS DETAIL SIMILAR, AT RELIEF AIR UNIT. 6" WIDE CURB W/ 1/2" CONT. & ROTATE #4 U-BARS TO FIT.

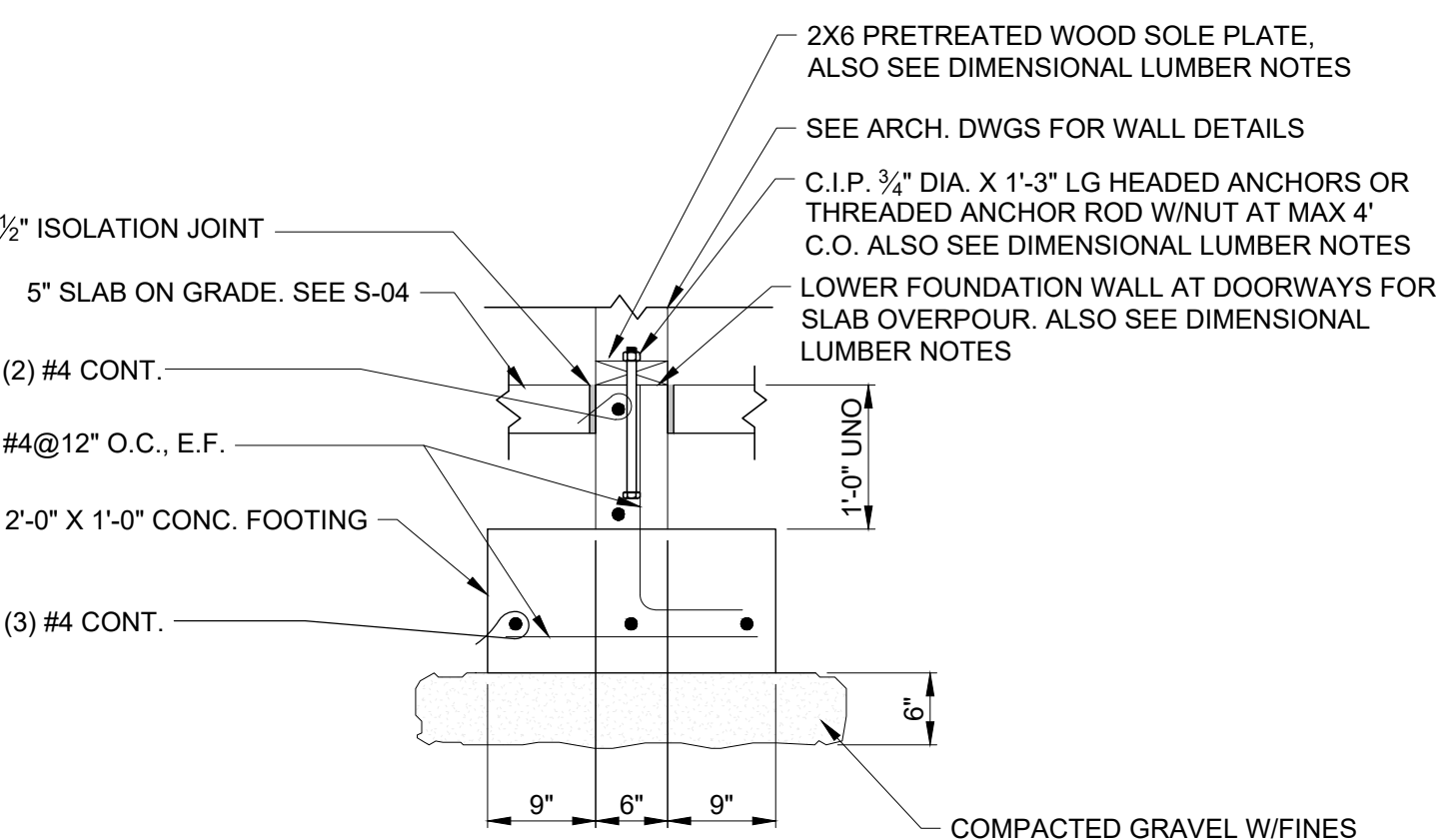
7 EQUIPMENT CURB DETAIL
 SCALE: NTS



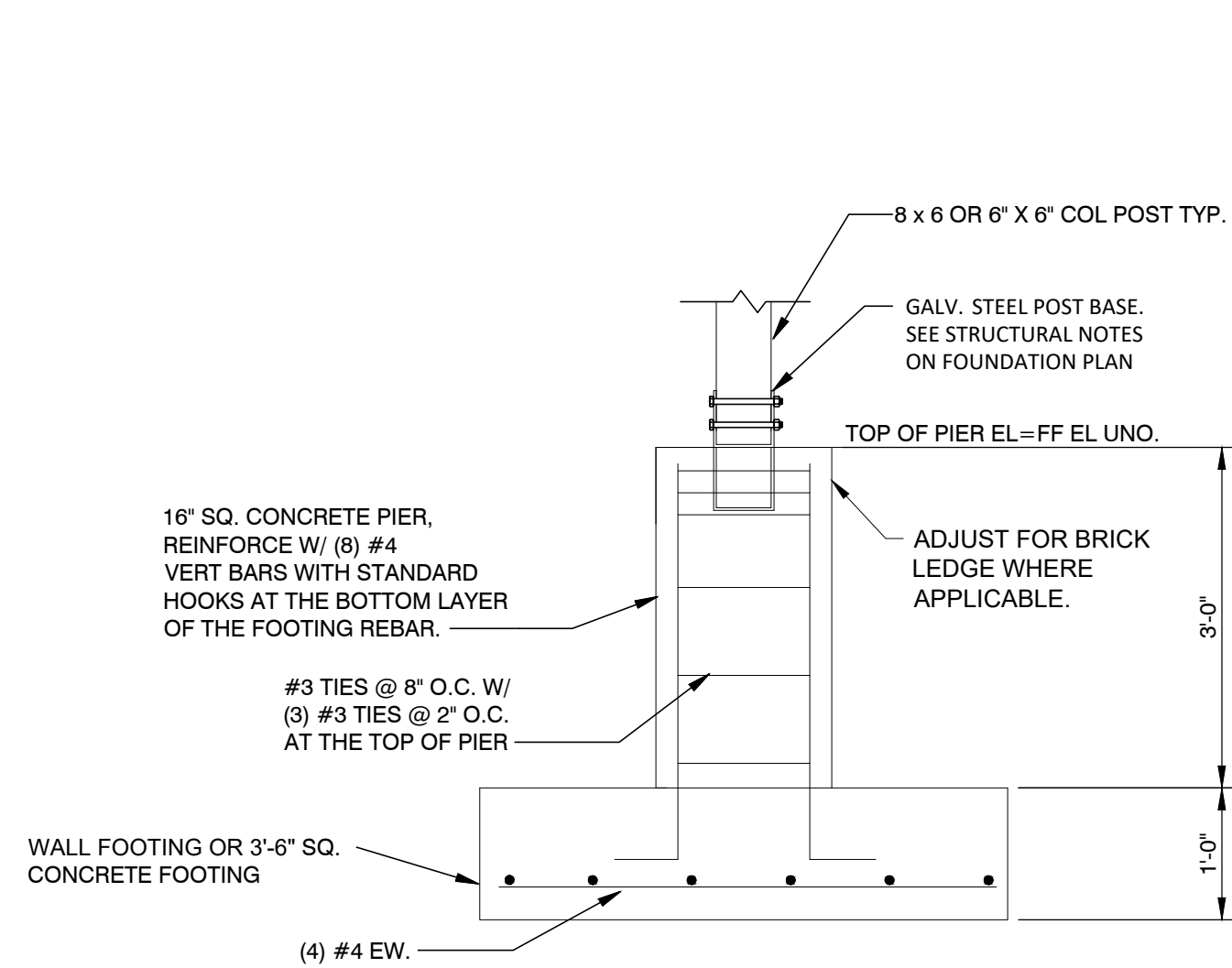
4 ISOLATED EQUIPMENT FOUNDATION
 SCALE: NTS



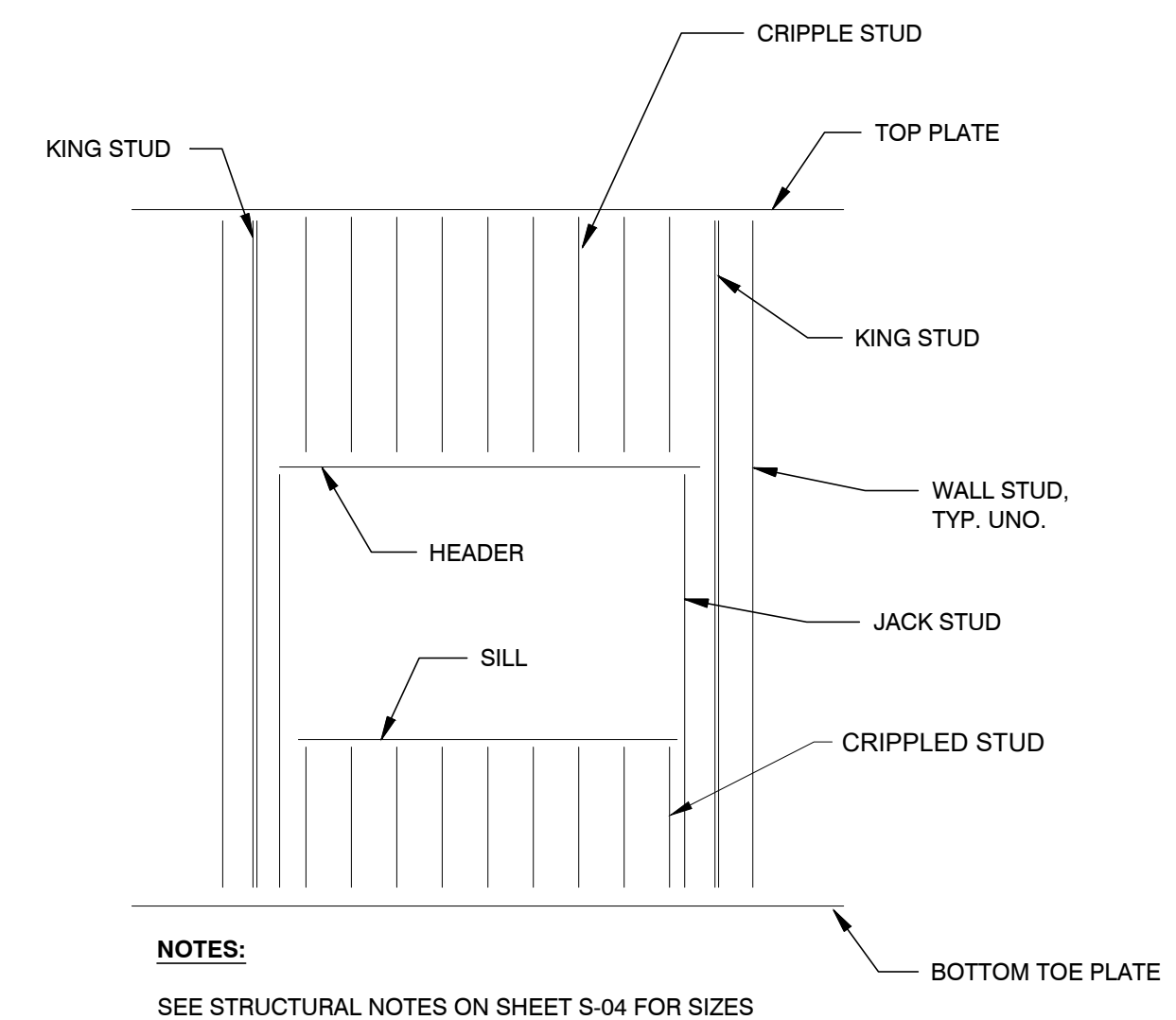
8 TYP. EXTERIOR EQUIPMENT FOUNDATION
 SCALE: NTS



9 TYP. INTERIOR WALL FOOTING DETAIL
 SCALE: 3/4" = 1'-0"



11 TYP. COLUMN FOOTING DETAIL
 SCALE: 3/4" = 1'-0"



NOTES:
 SEE STRUCTURAL NOTES ON SHEET S-04 FOR SIZES

12 TYP. FRAMING AT WINDOW OPENING
 SCALE: 1/4" = 1'-0"



ISSUED FOR:	CD	NO	REVISION	DATE
ISSUE DATE:	4/10/20			
SCALE:	AS NOTED			
DESIGNED BY:	PCP			
DRAWN BY:	RLM			
CHECKED BY:	PCP			

LAKETRAK WICKLIFFE PARK-N-RIDE LOT
 29610 LAKELAND BLVD., WICKLIFFE, OH 44092

PROJECT NO.	190065
DISCIPLINE	STRUCTURAL
SHEET NAME	S-06
SHEET	31
OF	49

STRUCTURAL DETAILS