

# Parallel 42™

Product Data Sheet

landscapeforms

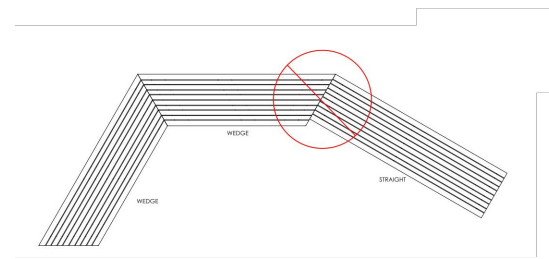


Parallel 42 is a modular wood bench system that's much more than a bench. Three easy pieces provide elegantly simple building blocks for activating social spaces. Parallel 42 is about creating variable applications for specific situations. Use right hand, left hand and wedge modules—singly or in any combination. Form simple and complex configurations. Create borders, resting places and enclaves. Or frame space to activate settings around complementary site elements.

## Parallel 42™

- Benching system units constructed of choice of exterior wood.
- Multiple configurations meet a variety of applications.
- Units sold individually as Left Hand, Right Hand, Straight and Wedge units.
- Supporting frame is powder coated steel.
- Units can be freestanding or surface mounted.
- Units can be placed together to make many different benching systems.
- Left and Right units are 77" long.
- Wedge unit is 67" long.
- Leveling glides are pre-installed for ready field adjustment.
- Meets ANSI/BIFMA performance standards.
- Units ship fully assembled.
- Straight end bench should not be placed end-to-end with an angled bench.

LEFT	DEPTH	LENGTH	HEIGHT	PRODUCT WEIGHT
	18"	77"	18"	181 lb
RIGHT	DEPTH	LENGTH	HEIGHT	PRODUCT WEIGHT
	18"	77"	18"	181 lb
WEDGE	DEPTH	LENGTH	HEIGHT	PRODUCT WEIGHT
	18"	67"	18"	165 lb
STRAIGHT	DEPTH	LENGTH	HEIGHT	PRODUCT WEIGHT
	18"	67"	18"	174 lb

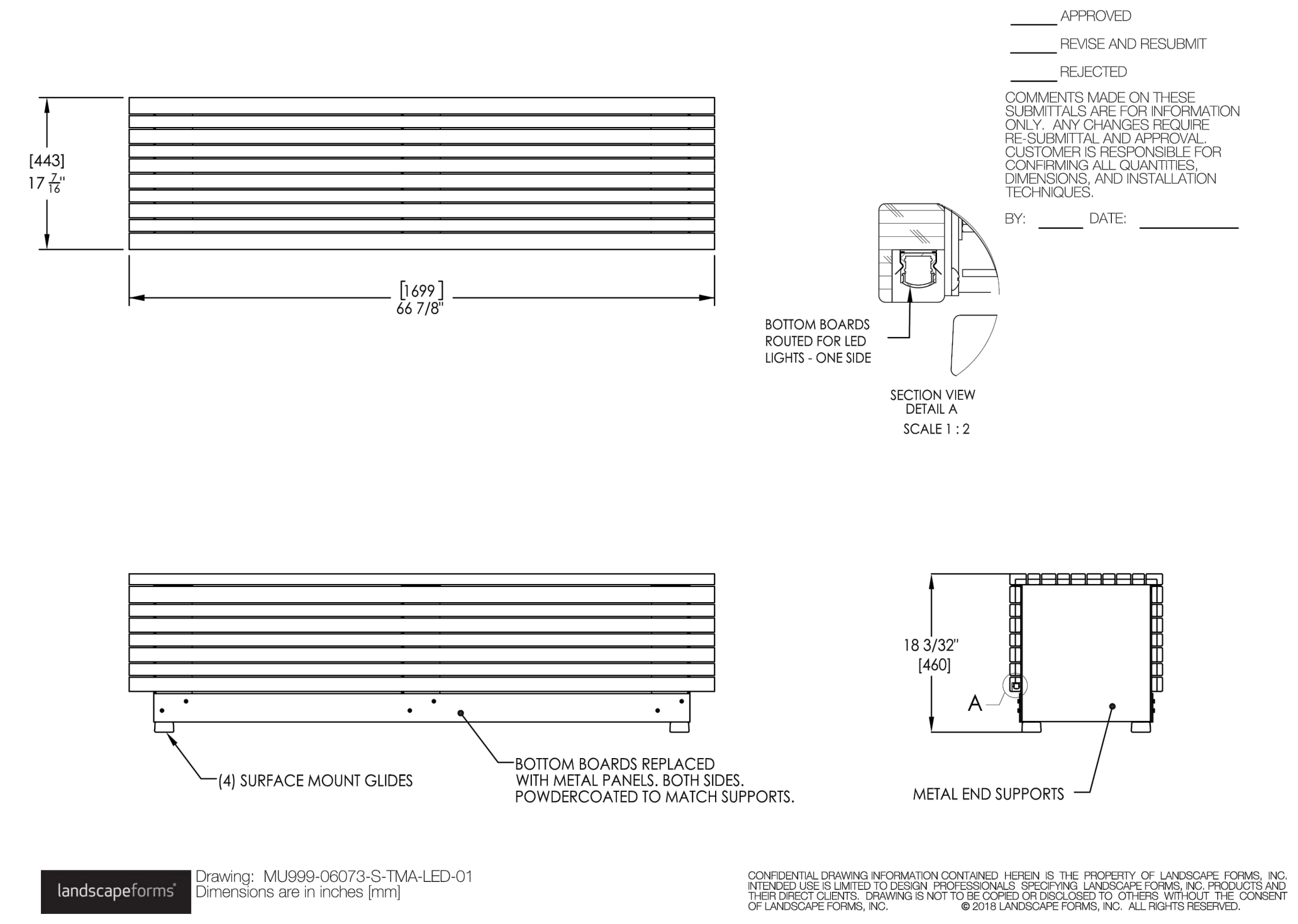


1 Revised August 28, 2019 | Landscape Forms Inc. | 800.521.2546 | F 269.381.3455 | 7800 E. Michigan Ave., Kalamazoo, MI 49048

## Parallel 42 67" length, straight, surface mount, Thermally Modified Ash, LED lights on one side

Special Products Drawing

Date: 06/22/2018  
www.landscapeforms.com Ph: 800.521.2546



### BENCH BACKLIGHTING DETAIL

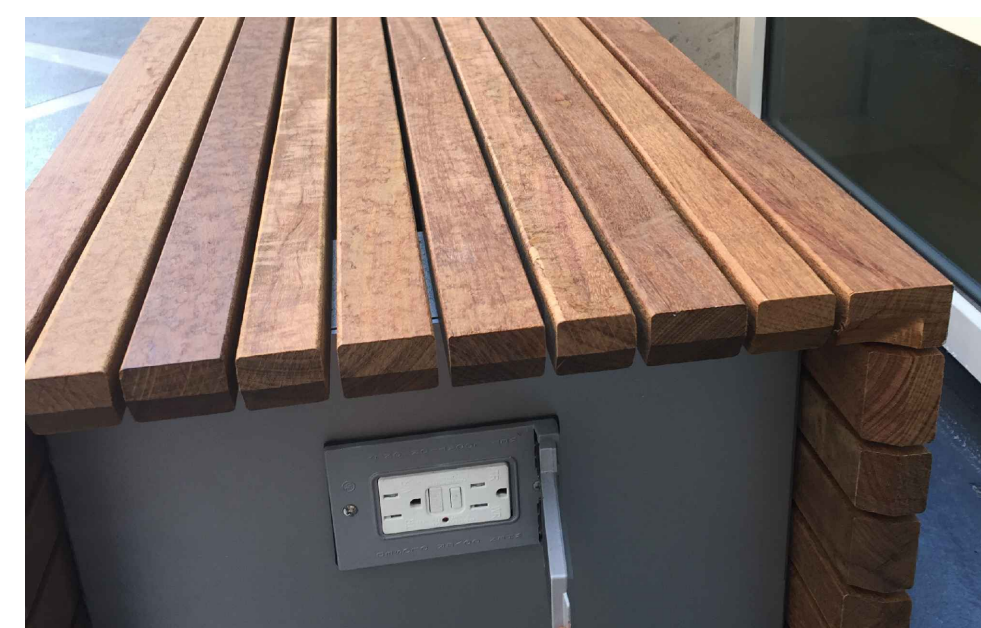
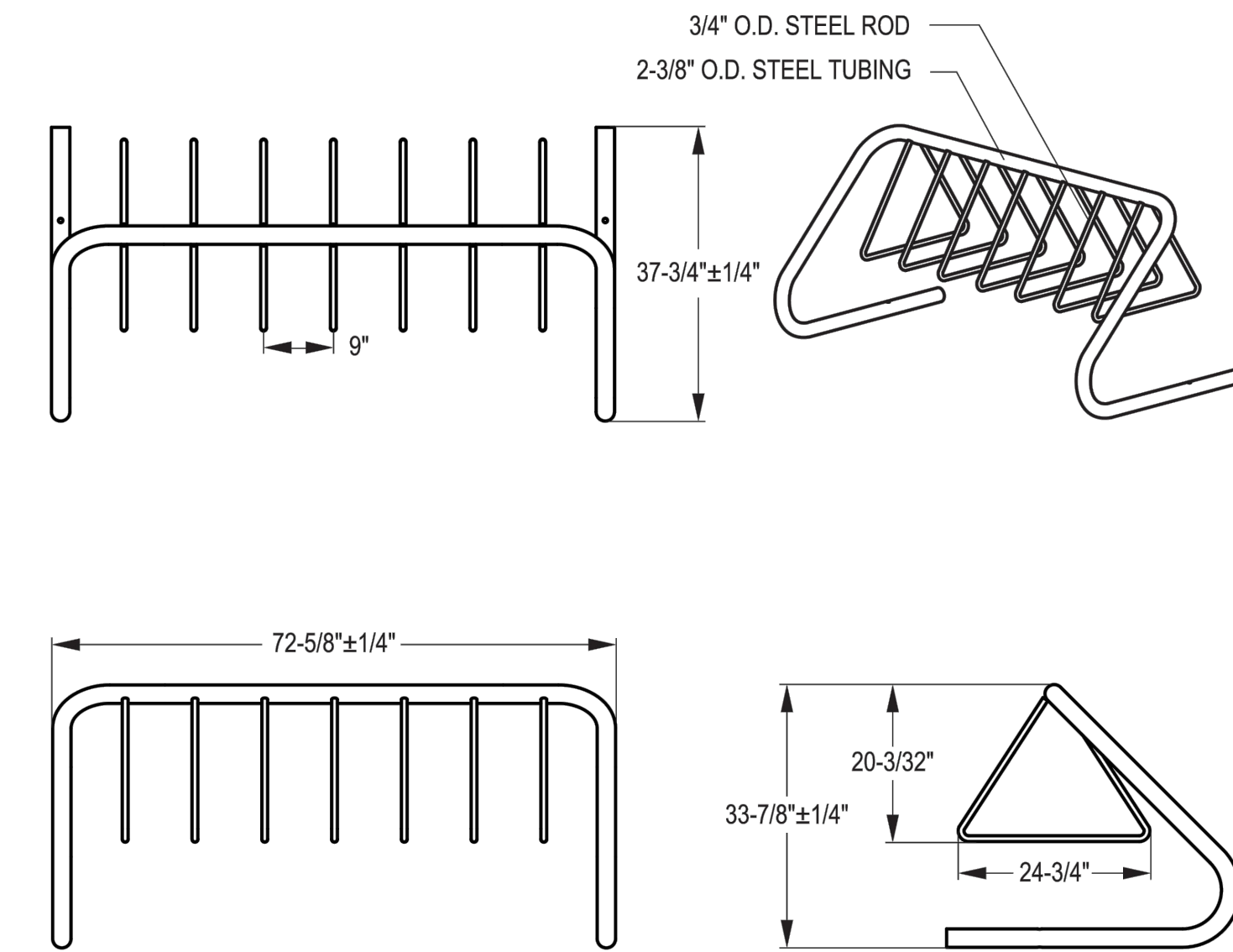


111 North River Road  
North Aurora, IL 60542  
Phone: (800) 323-6664  
Fax: (630) 897-0573  
sales@belson.com

Model # TRI-10-FS-P

Dimension Sheet

## TRITON™ | 10 BIKES



CHARGING FIXTURE ON OPEN BENCH ENDS

ISOLAURBANA MODULAR FURNITURE



LAKETRA WICKLIFFE PARK-N-RIDE LOT  
29610 LAKELAND BLVD., WICKLIFFE, OH 44092

LANDSCAPE DETAIL

PROJECT NO.	190065
DISCIPLINE	CIVIL
SHEET NAME	L-3
SHEET	25
OF	49

ISSUED FOR:	CD	NO	REVISION	DATE
ISSUE DATE:	4/10/20			
SCALE:	NA			
DESIGNED BY:	RDS			
DRAWN BY:	RDS			
CHECKED BY:	CEC			

