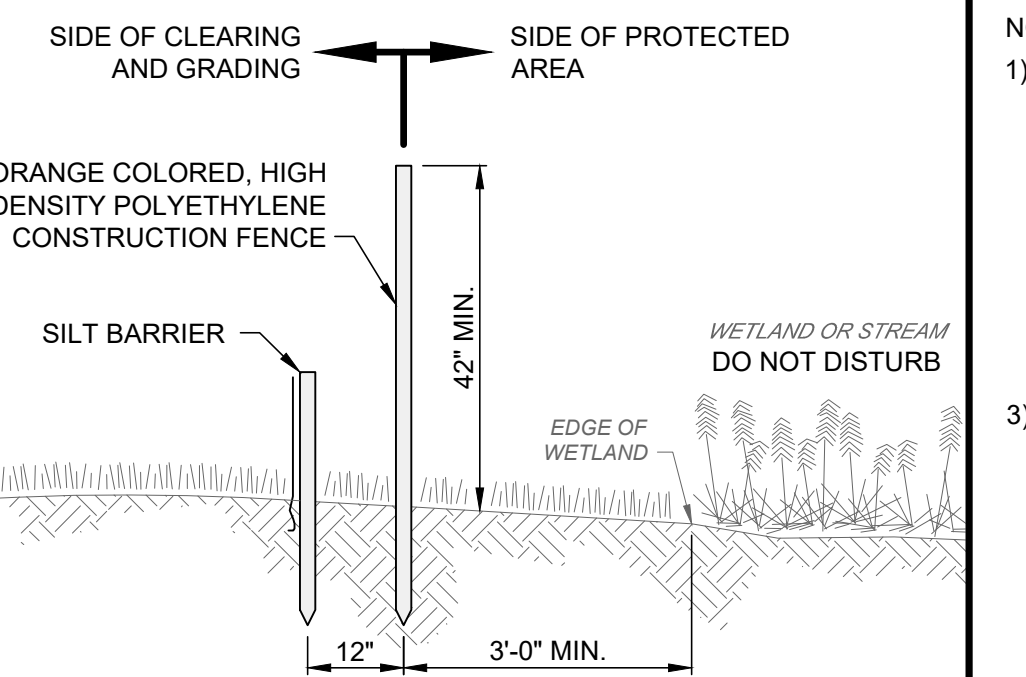


- NOTES:
- 1) ALL NEW AND EXISTING STORM INLET BASINS WITHIN THE WORK LIMITS SHALL HAVE INLET PROTECTION INSTALLED UNLESS THE SEWER IS INACTIVE DUE TO PRIOR WORK.
 - 2) INLET PROTECTION SHALL BE INSTALLED AS EACH STORM INLET IS CONSTRUCTED.
 - 3) FRAMING SHALL BE CONSTRUCTED OF CORROSION RESISTANT STEEL (ZINC PLATED OR GALVANIZED).
 - 4) NOT ALL ITEMS SHOWN MAY APPLY, OR DIFFERENT TYPES OR CONFIGURATIONS MAY BE REQUIRED. THE CONTRACTOR SHALL MEASURE EACH INLET TO CONFIGURE AND ASSEMBLE CUSTOMIZED INLET FILTERS.

INLET PROTECTION DETAIL

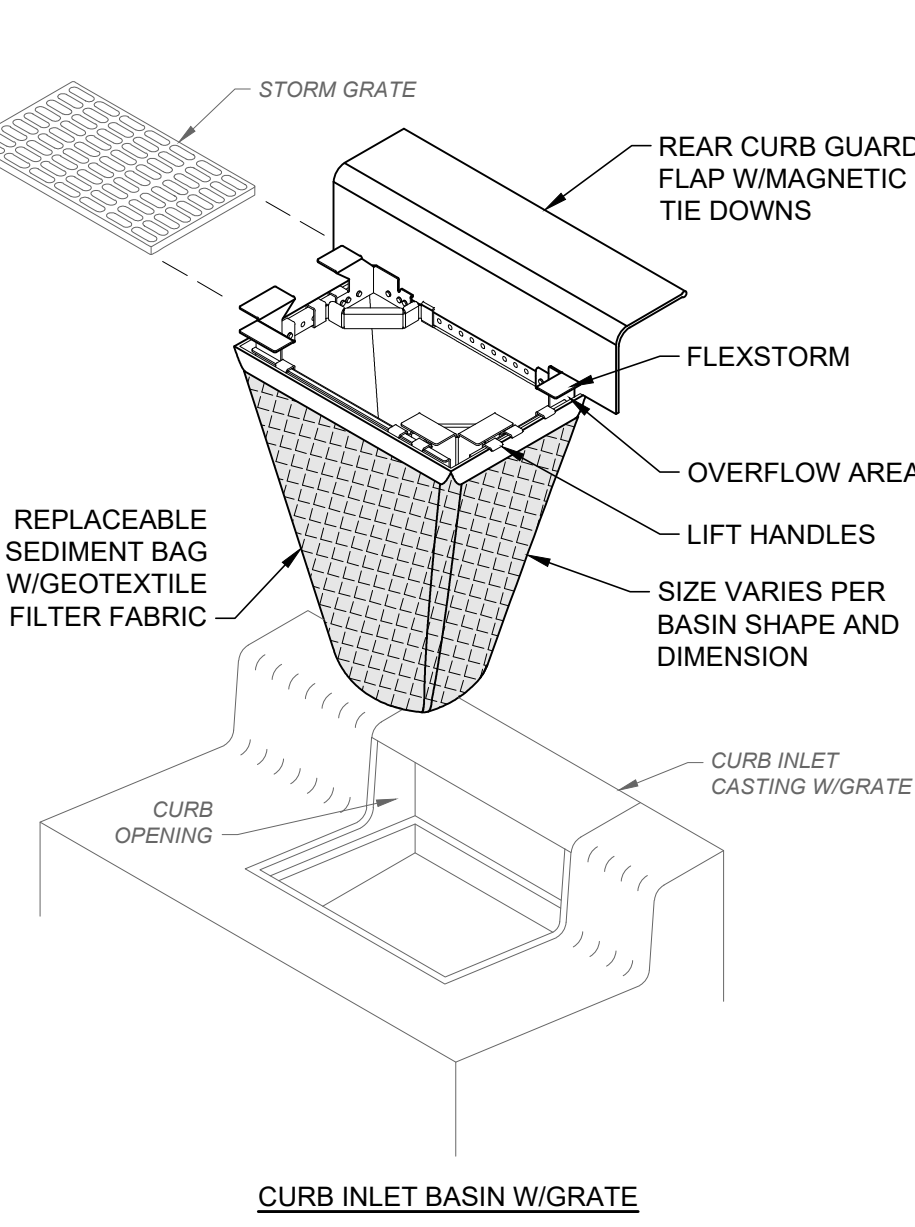
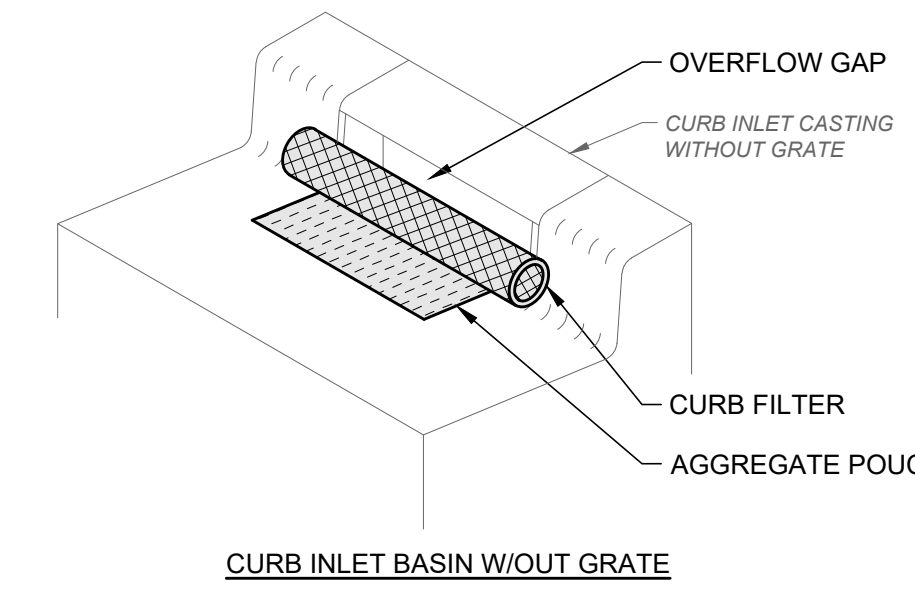
SCALE: NONE



- NOTES:
- 1) THE CONTRACTOR MUST INSTALL AND MAINTAIN ORANGE CONSTRUCTION FENCE AND SILT BARRIER AROUND ALL STATE AND FEDERAL PROTECTED WETLANDS AND STREAMS TO PREVENT DISTURBANCE OR CONSTRUCTION ACTIVITIES WITHIN THESE PROTECTED AREAS.
 - 2) DO NOT DRIVE THROUGH OR OPERATE ANY EQUIPMENT WITHIN THESE ENVIRONMENTALLY SENSITIVE AREAS, INCLUDING BOB CATS, VEHICLES, CONSTRUCTION EQUIPMENT OR ANYTHING THAT WOULD DISTURB THE EXISTING GROUND.

WETLAND BARRIER DETAIL

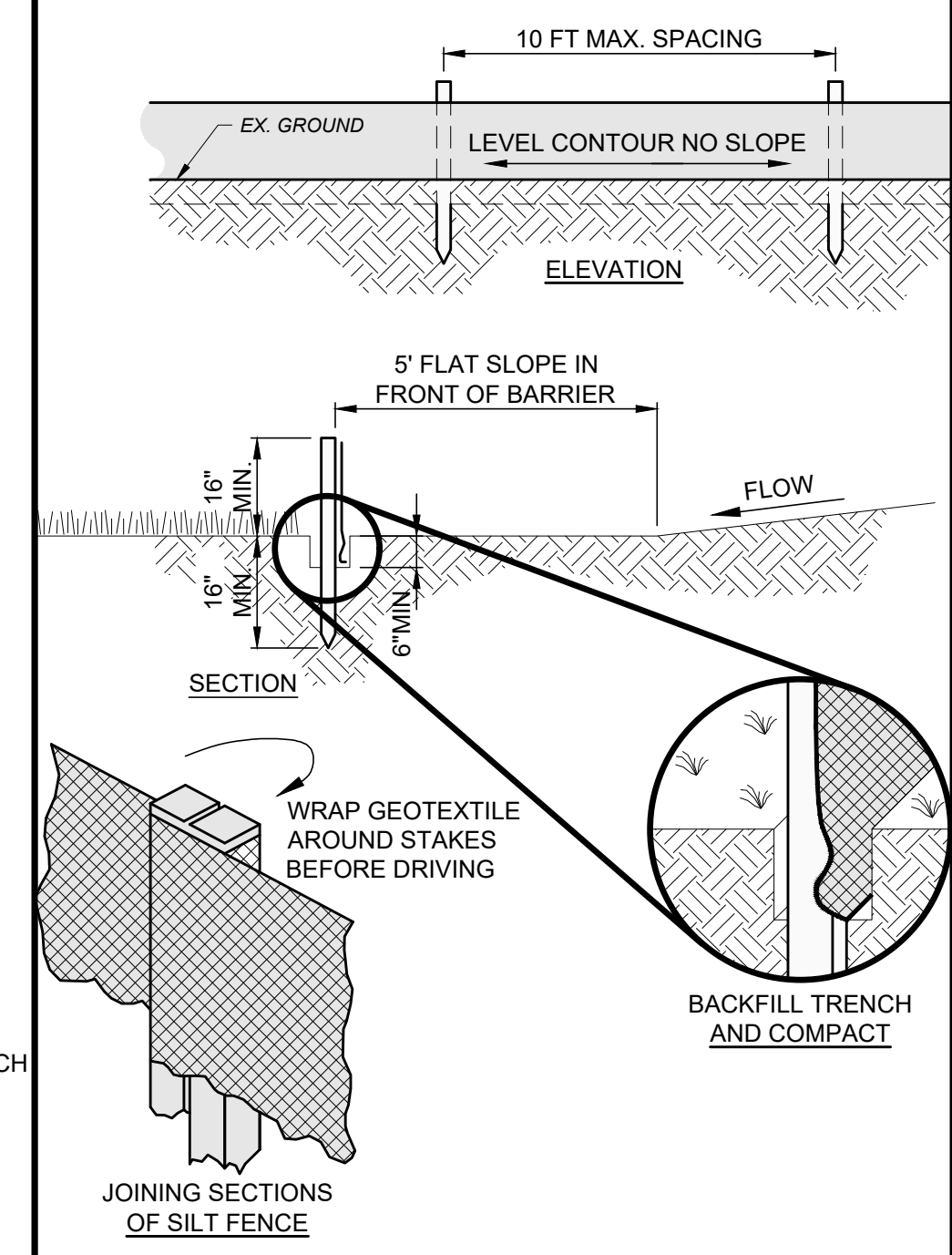
SCALE: NONE



- NOTES:
- 1) MULCH SHALL CONSIST OF ONE OF THE FOLLOWING:
 - UNROTTED SMALL GRAIN STRAW SPREAD UNIFORMLY AT 2 TONS/AC. (2 TO 3 BALES).
 - WOOD-CELLULOSE FIBER (I.E. HYDROSEEDING) APPLIED AT 1 TON/AC.
 - ROLLED EROSION CONTROL PRODUCT OR MULCH MATTING APPLIED PER MANUFACTURER RECOMMENDATION.
 - WOOD MULCH OR CHIPS APPLIED AT 6 TONS/AC.
 - 2) MULCH SHALL BE ANCHORED IMMEDIATELY BY ONE OF THE FOLLOWING METHODS:
 - PUNCH OR ANCHOR THE MULCH MATERIAL INTO THE SOIL USING A DISK, CRIMPER OR SIMILAR TOOL. DO NOT FINELY CHOP STRAW TO BE MECHANICALLY ANCHORED, BUT LEAVE LONGER THAN 6".
 - USE NETTING PER MANUFACTURER RECOMMENDATION IN AREAS OF CONCENTRATED RUNOFF OR ON CRITICAL SLOPES.
 - SYNTHETIC BINDERS AT MANUFACTURER RATE.
 - 3) WOOD-CELLULOSE FIBER BINDER AT A NET DRY WEIGHT OF 750 LB/AC., MIXED WITH WATER, AND CONTAIN 50 LB/100 GAL. MAX. OF WOOD CELLULOSE FIBER.

MULCHING DETAIL

SCALE: NONE

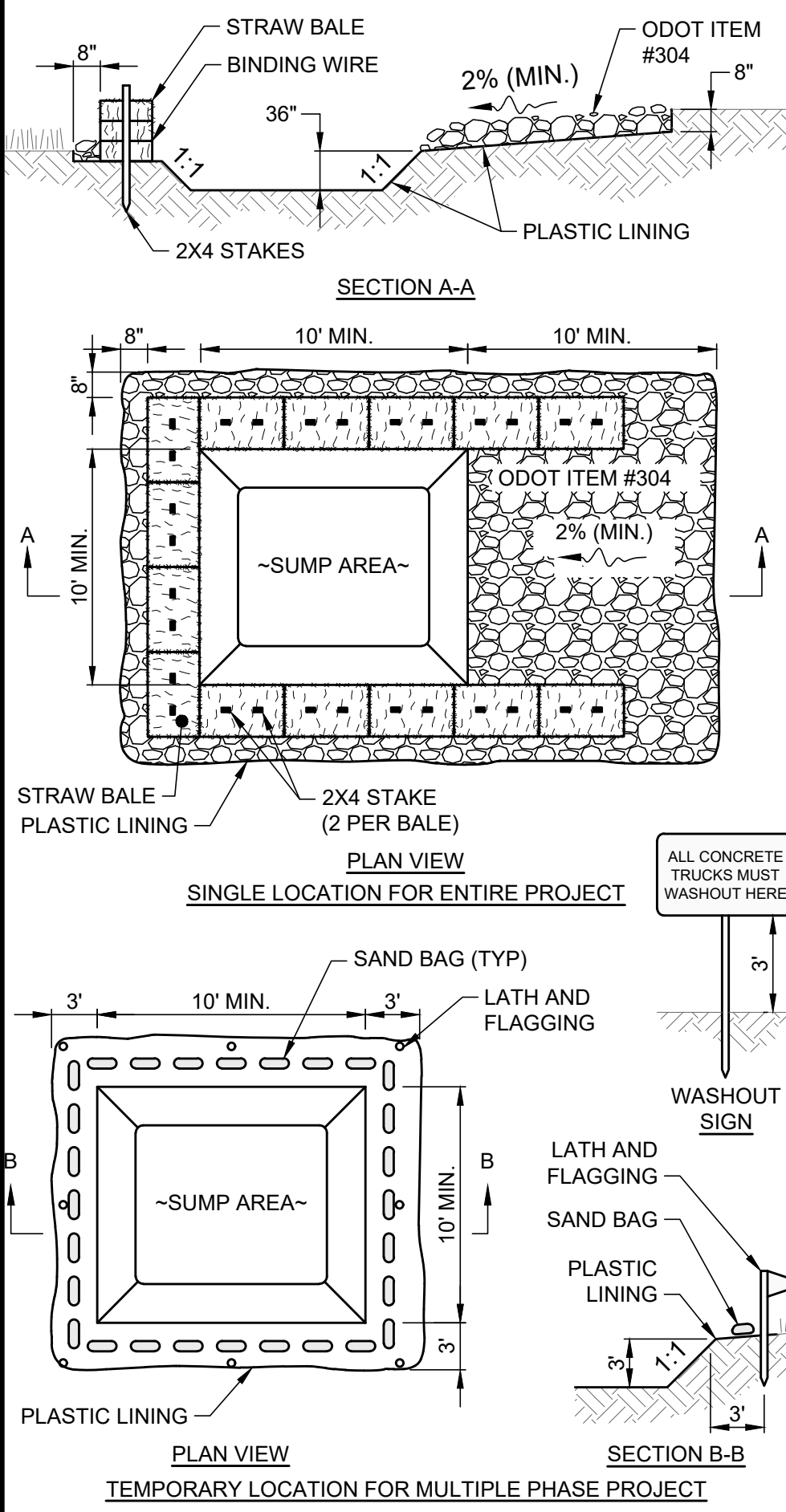


FABRIC PROPERTIES	VALUES	TEST METHOD
GRAB TENSILE STRENGTH	90 LB. MIN	ASTM D-1682
MULLEN BURST STRENGTH	190 PSI MIN	ASTM D-3786
SLURRY FLOW RATE	0.3 GAL./MIN./S.F. MAX.	
EQUIVALENT OPENING SIZE	40-80	US STD. SIEVE CW-02215
ULTRAVIOLET RADIATION STABILITY	90% MIN	ASTM-G-26

- NOTES:
- 1) PRESERVE VEGETATION FOR 5 FEET OR AS MUCH AS POSSIBLE UPSLOPE FROM THE SILT FENCE. IF VEGETATION IS REMOVED, IT SHALL BE RE-ESTABLISHED WITHIN 7 DAYS FROM SILT FENCE INSTALLATION.
 - 2) THE MAXIMUM DRAINAGE AREA PER 100 FEET OF SILT FENCE IS DEPENDENT ON THE SLOPE, BUT NO MORE THAN 1/2 ACRE. SILT FENCE CANNOT BE USED FOR DRAINAGE AREAS WITH SLOPES GREATER THAN 50%.
 - 3) SILT FENCE MAY ONLY PASS RUNOFF AS DIFFUSE FLOW THROUGH THE GEOTEXTILE. IF RUNOFF OVERTOPS THE SILT FENCE, FLOWS UNDER OR AROUND THE ENDS, OR IN ANY OTHER WAY BECOMES A CONCENTRATED FLOW, THEN CHANGE THE LAYOUT OF THE SILT FENCE. REMOVE ACCUMULATED SEDIMENT OR INSTALL OTHER PRACTICES.
 - 4) SILT FENCE SHALL BE INSPECTED FOR DEPTH OF SEDIMENT, TEARS, VERIFICATION FABRIC IS SECURELY ATTACHED TO FENCE POSTS, AND VERIFICATION FENCE POSTS ARE FIRMLY IN THE GROUND. BUILT UP SEDIMENT SHALL BE REMOVED FROM SILT FENCE WHEN IT HAS REACHED 1/3 THE FENCE HEIGHT.

SILT FENCE

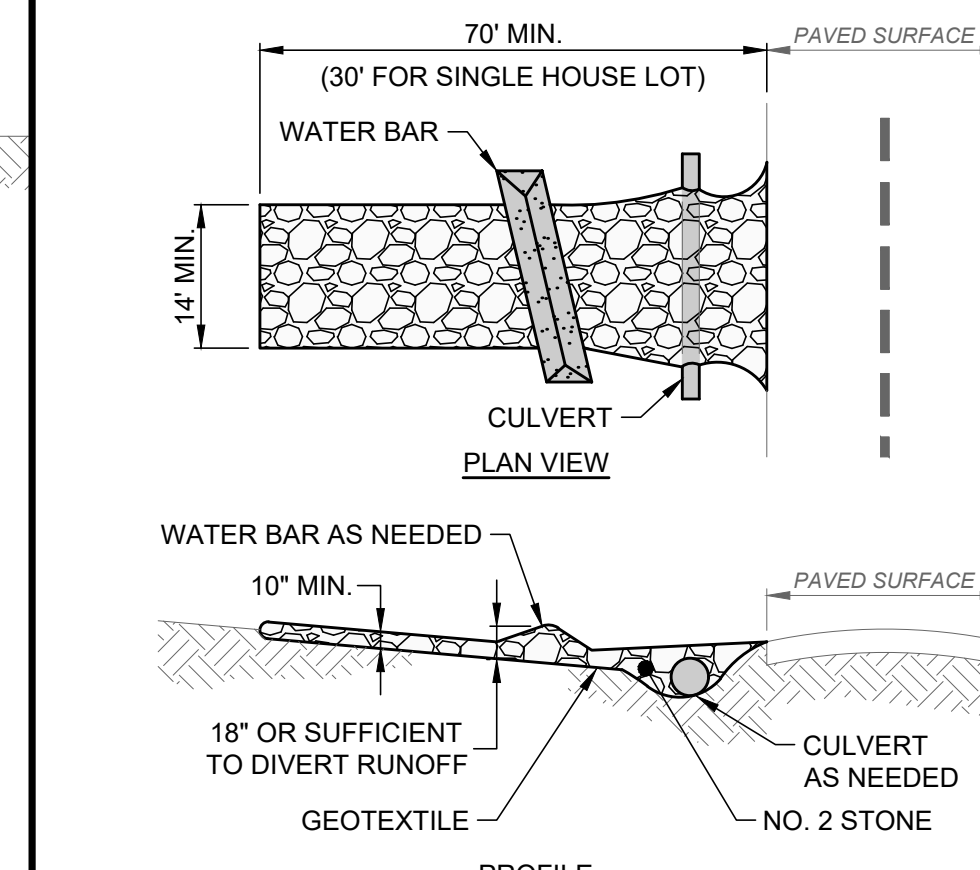
SCALE: NONE



- NOTES:
- 1) CONCRETE WASHOUT AREA SHALL BE LOCATED A MINIMUM OF 100' FROM STORM SEWER INLETS, STREAMS, WETLANDS OR ANY OTHER SURFACE WATERS.
 - 2) IF CONCRETE WASHOUT AREA IS LOCATED AWAY FROM A PAVED SURFACE, CONSTRUCT A GRAVEL ACCESS ROUTE EQUAL IN COMPOSITION TO A CONSTRUCTION ENTRANCE.
 - 3) CONCRETE WASHOUT AREA SHALL BE SUFFICIENT SIZE TO CONTAIN CONCRETE WASTE GENERATED. LARGE SITES MAY REQUIRE MULTIPLE CONCRETE WASHOUT AREAS.
 - 4) PLASTIC LINING SHALL BE DOUBLE-LINED, CONTINUOUS 10-ML POLYETHYLENE SHEETING FREE OF HOLES, TEARS OR OTHER DEFECTS INSTALLED ON A SMOOTH, LEVEL SURFACE, FREE OF LARGE ROCKS AND DEBRIS.
 - 5) CONCRETE WASHOUT SIGNAGE SHALL BE CLEARLY VISIBLE AND LOCATED WITHIN 30 FEET OF EACH WASHOUT AREA.
 - 6) CONCRETE WASHOUT AREA SHALL BE COVERED DURING INCLEMENT WEATHER TO PREVENT OVERFLOWS.
 - 7) PREFABRICATED, PORTABLE AND RE-USABLE CONCRETE WASHOUT CONTAINERS ARE ACCEPTABLE IF SPECIFICALLY DESIGNED FOR CONCRETE WASHOUT USE.
 - 8) CONCRETE WASHOUT AREA SHALL BE INSPECTED DAILY TO CHECK FOR DAMAGE AND DETERMINE IF IT NEEDS CLEANED OR REPLACED. ANY DAMAGE TO THE SIDEWALLS OR PLASTIC LINING SHALL BE REPAIRED IMMEDIATELY. REPLACE THE ENTIRE CONCRETE WASHOUT AREA WHEN IT IS 75% FULL.

CONCRETE WASHOUT AREA DETAIL

SCALE: NONE



- NOTES:
- 1) GEOTEXTILE SHALL BE COMPOSED OF STRONG ROT-PROOF POLYMERIC FIBERS MEETING THE FOLLOWING:

TENSILE STRENGTH	200 LB
PUNCTURE STRENGTH	80 PSI
TEAR STRENGTH	50 LB
BURST STRENGTH	320 PSI
ELONGATION	20%
EQUIVALENT OPENING SIZE	< 0.6 MM
PERMITTIVITY	0.001 CM/SEC.
 - 2) INSTALL WATER BAR, AS NEEDED, TO PREVENT SURFACE RUNOFF FROM FLOWING OUT ONTO PAVEMENT.
 - 3) APPLY ADDITIONAL STONE AS CONDITIONS DEMAND, REPLENISH STONE WHEN THE DEPTH IS LESS THAN 6", AND REPLACE IF STONES BECOMES MUD-LADEN.
 - 4) IMMEDIATELY REMOVE MUD DROPPED, WASHED OR TRACKED ONTO ROADS OR ANY SURFACE WHERE RUNOFF IS NOT CHECKED BY SEDIMENT CONTROLS BY SCRAPING OR SWEEPING.
 - 5) CONSTRUCTION ENTRANCE SHALL NOT BE RELIED UPON TO REMOVE MUD FROM VEHICLES OR PREVENT OFF-SITE TRACKING. VEHICLES THAT ENTER AND LEAVE THE SITE SHALL BE RESTRICTED FROM MUDDY AREAS.
 - 6) CONSTRUCTION ENTRANCE SHALL REMAIN UNTIL THE DISTURBED AREA IS STABILIZED OR REPLACED WITH A PERMANENT ROADWAY.

CONSTRUCTION ENTRANCE

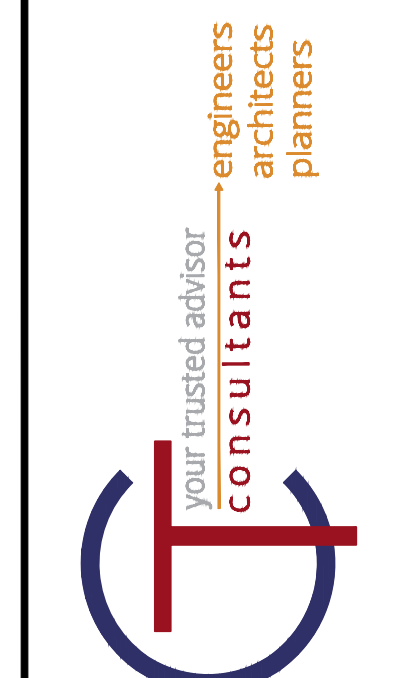
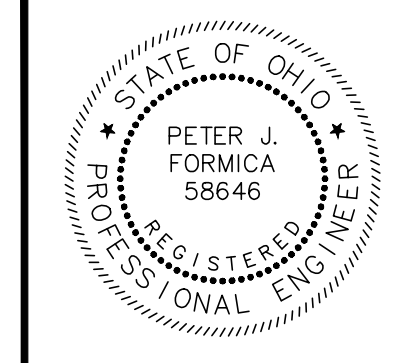
SCALE: NONE

- NOTES:
- 1) THE SEED BED SHALL BE PULVERIZED AND LOOSE TO ENSURE THE SUCCESS OF ESTABLISHING VEGETATION.
 - 2) SOIL AMENDMENTS MAY BE REQUIRED TO ESTABLISH ADEQUATE VEGETATION. PERFORM SOIL TESTS ON THE SITE TO PREDICT THE NEED FOR LIME AND FERTILIZER.
 - 3) APPLY SEED UNIFORMLY. COVER BROADCASTED SEED BY RAKING OR DRAGGING AND THEN LIGHTLY TAMPING INTO PLACE.
 - 4) APPLY MULCHING IMMEDIATELY AFTER SEEDING.
 - 5) SEEDING SHALL BE INSPECTED FOR BARE SPOTS AND WASHOUTS, AND RESEEDED AS NECESSARY.

TEMPORARY SEEDING SPECIES SELECTION			
DATES	SPECIES	LB/1,000 SF	LB/AC.
MARCH 1 TO AUGUST 15	OATS	3	128
	TALL FESCUE	1	40
	PERENNIAL RYEGRASS	1	40
AUGUST 16 TO NOVEMBER 1	PERENNIAL RYEGRASS	2	40
	TALL FESCUE	1	40
	RYE	3	112
NOVEMBER 1 TO SPRING	TALL FESCUE	1	40
	PERENNIAL RYEGRASS	1	40
	PERENNIAL RYEGRASS	2	40
	TALL FESCUE	1	40
NOVEMBER 1 TO SPRING ONLY MULCH OR DORMANT SEEDING.			

TEMPORARY SEEDING DETAIL

SCALE: NONE



DATE	REVISION	NO	CD	ISSUED FOR:	ISSUE DATE:	SCALE:	DESIGNED BY:	DRAWN BY:	CHECKED BY:
				4/10/20	N/A	PJF / GMS	GMS	PJF	

LAKETRAN WICKLIFFE PARK-N-RIDE LOT
29610 LAKELAND BLVD., WICKLIFFE, OH 44092

STORM WATER POLLUTION PREVENTION PLAN 3

PROJECT NO.	190065
DISCIPLINE	CIVIL
SHEET NAME	SWP-3
SHEET	21
OF	49