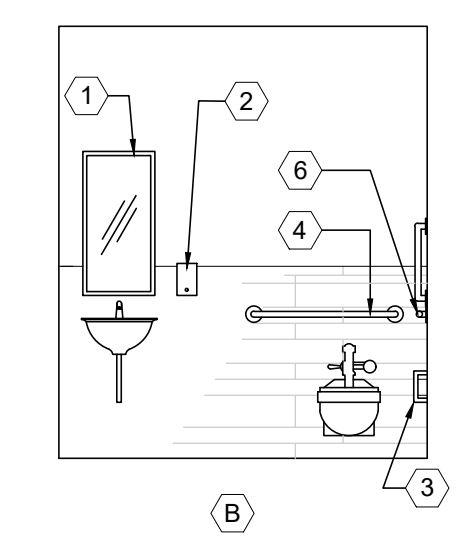
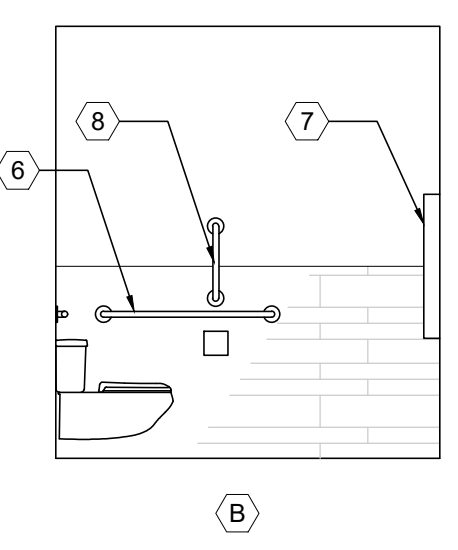


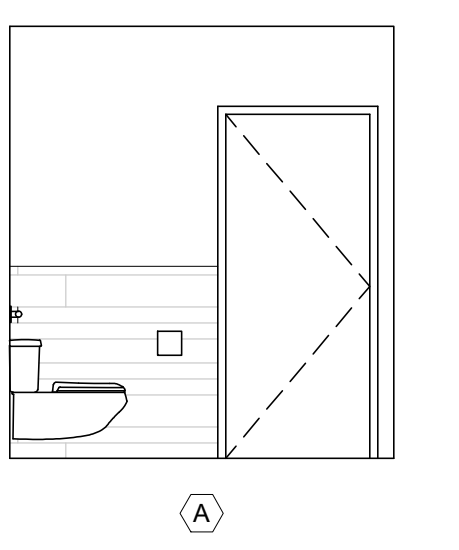
INTERIOR ELEVATION
 A A-04 SCALE: 1/4" = 1'-0"



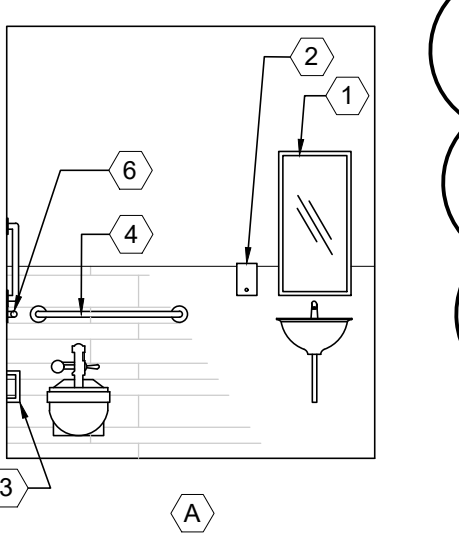
INTERIOR ELEVATION
 B A-04 SCALE: 1/4" = 1'-0"



INTERIOR ELEVATION
 C A-04 SCALE: 1/4" = 1'-0"



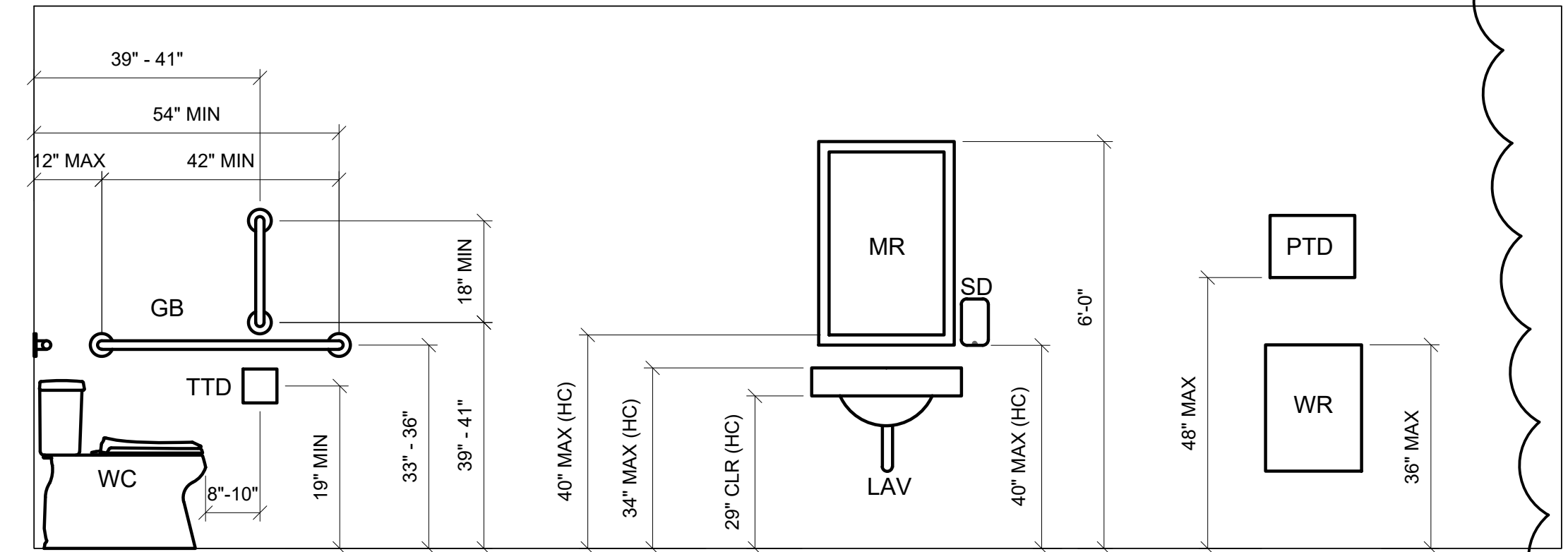
INTERIOR ELEVATION
 D A-04 SCALE: 1/4" = 1'-0"



INTERIOR ELEVATION
 E A-04 SCALE: 1/4" = 1'-0"

DOOR SCHEDULE												
OPENING NUMBER	DOOR				THICKNESS	FRAME					REMARKS	
	MATERIAL	TYPE	WIDTH	HEIGHT		MATERIAL	TYPE	HEAD	JAMB	SILL		
WICKLIFFE PARK-N-RIDE												
101	AL	D2	36"	84"	1-3/4"	AL	F3	-	-	-	3	
102	AL	D2	36"	84"	1-3/4"	AL	F4	-	-	-	3	
103	WD	D1	36"	84"	1-3/4"	HM	F1	H1	J1	-	1	
104	WD	D1	36"	84"	1-3/4"	HM	F1	H1	J1	-	1	
105	WD	D1	36"	84"	1-3/4"	HM	F1	H1	J1	-	1	
106	WD	D1	36"	84"	1-3/4"	HM	F1	H1	J1	-	4	
107	WD	D1	(2) 36"	84"	1-3/4"	HM	F2	H1	J1	-	2	
108	WD	D1	36"	84"	1-3/4"	HM	F1	H1	J1	-	1	

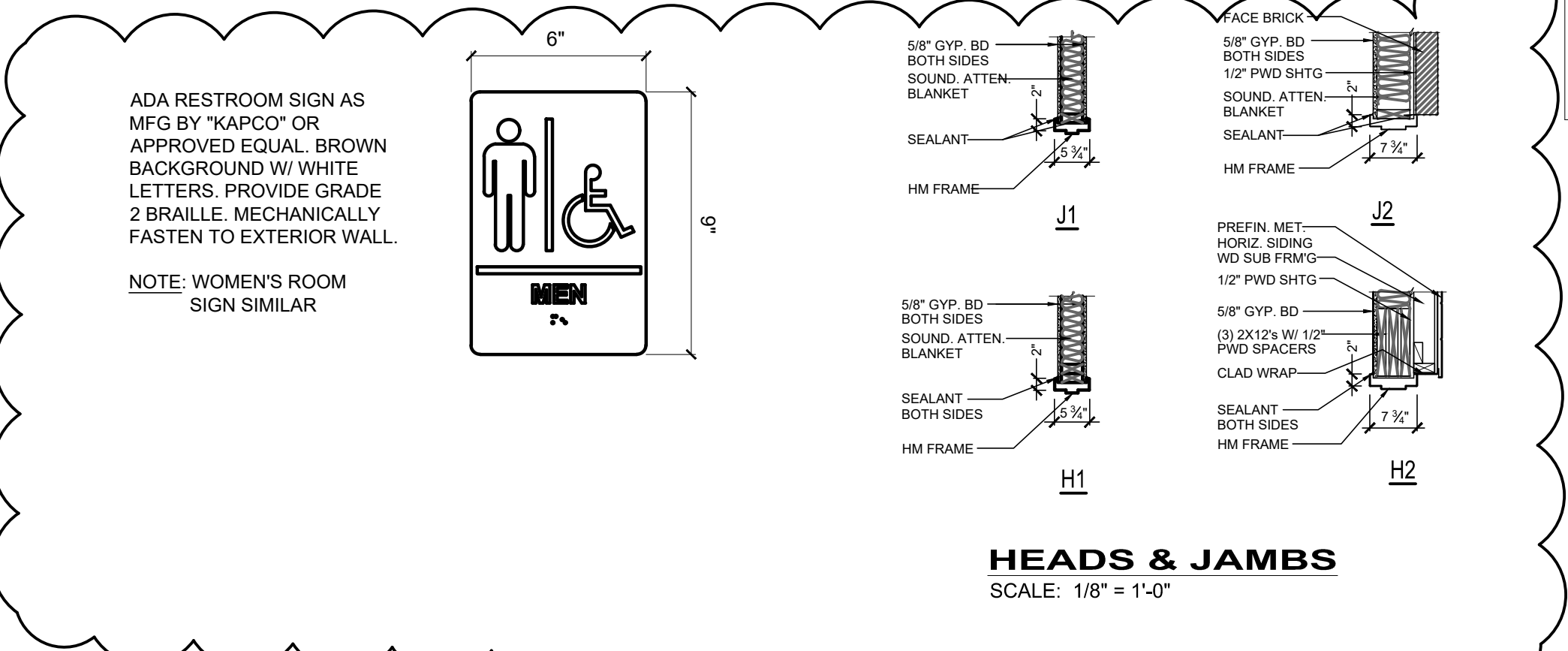
TOILET ROOM ACCESSORIES-LEGEND	
1	24"x36" FLAT MIRROR (SURFACE MOUNTED)
2	SOAP DISPENSER/ SURFACE MOUNT
3	TOILET PAPER DISPENSER SURFACE MOUNT
4	36" GRAB BARS
5	PAPER TOWEL AND WASTE RECEPTICLE
6	42" GRAB BARS
7	BABY CHANGING STATION - KOALA KB 200 - SEE SPEC. SEE FLOOR PLANS FOR LOCATION, TYP. OF 4.
8	18" GRAB BARS



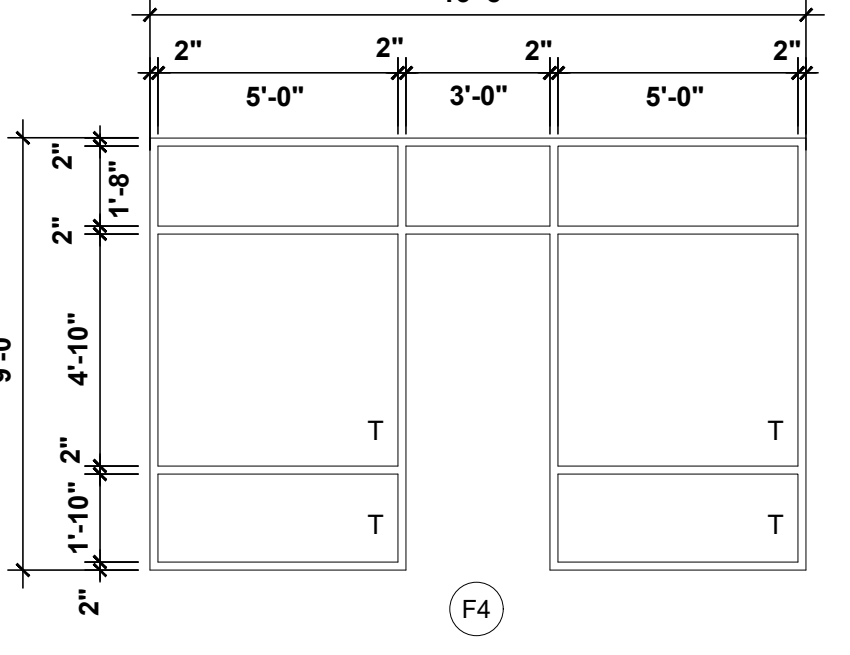
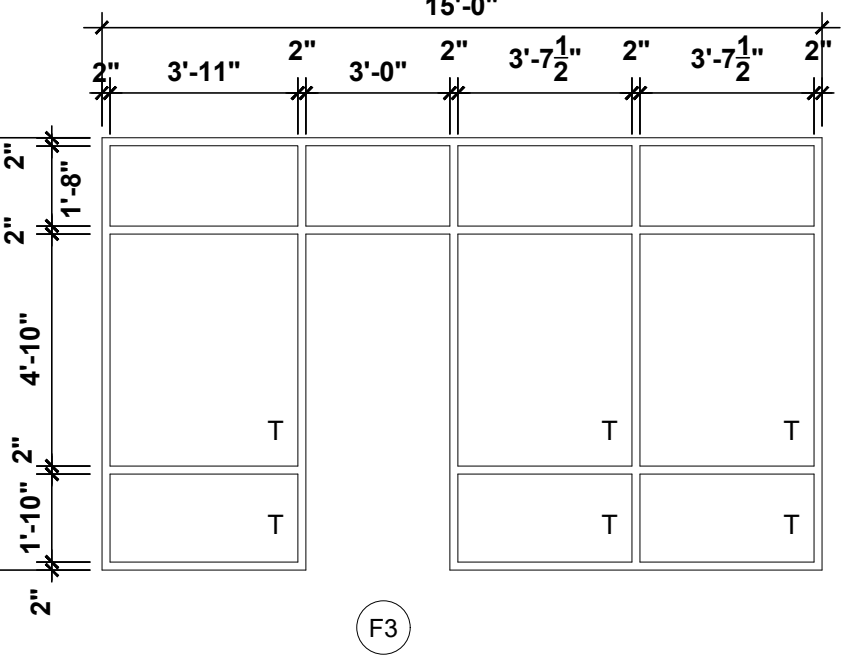
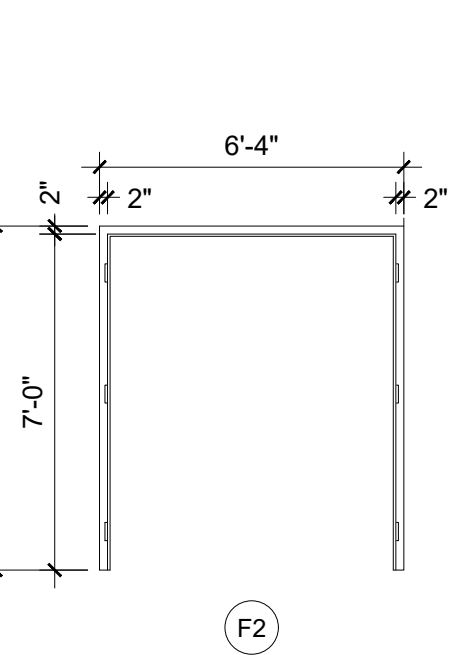
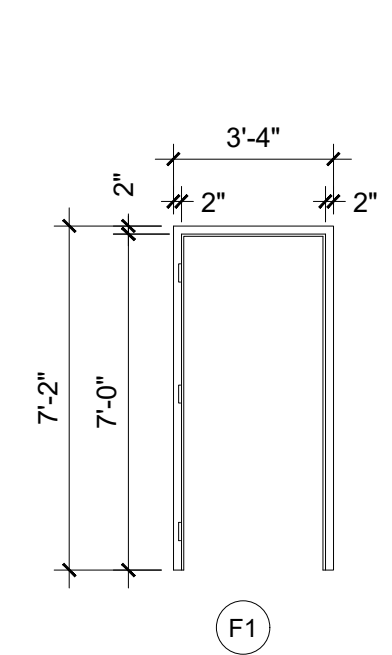
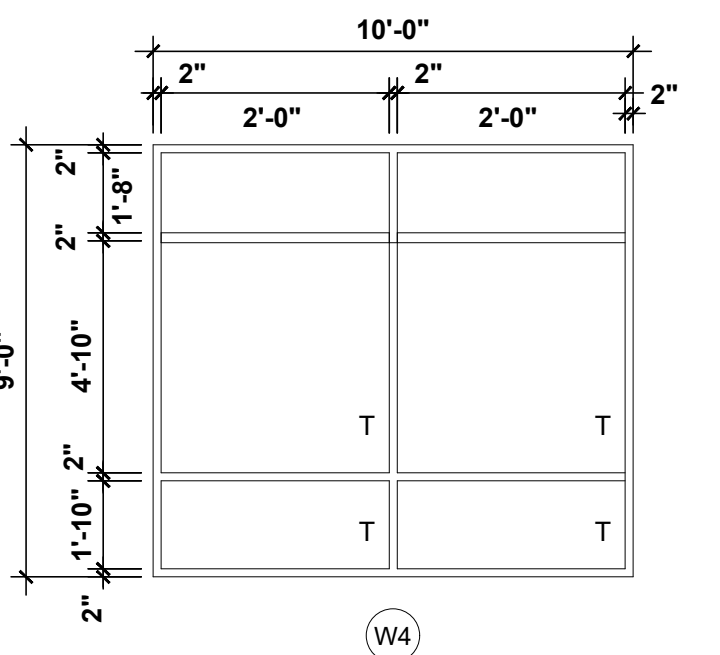
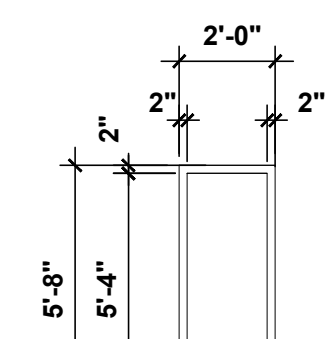
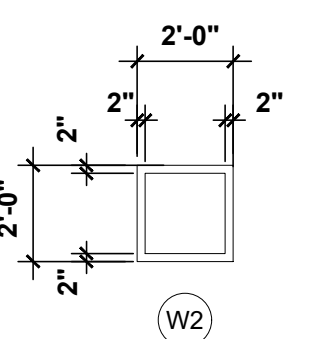
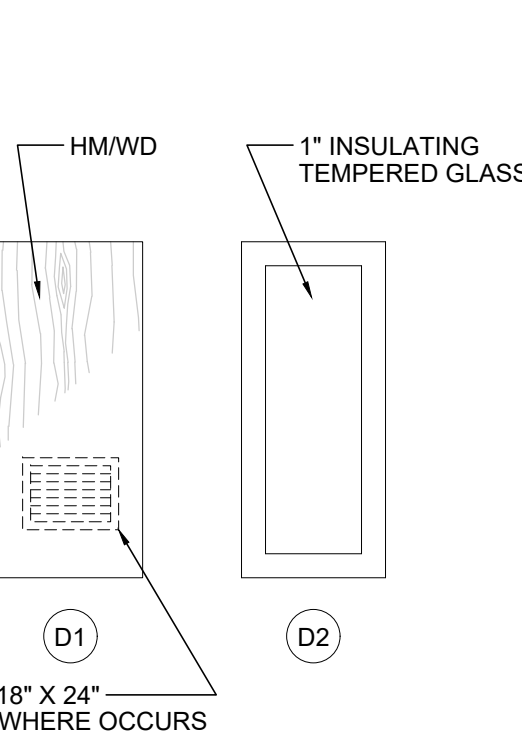
TOILET ROOM MOUNTING DETAIL
 SCALE: 1/8" = 1'-0"

ROOM FINISH SCHEDULE										
NUMBER	ROOM NAME	FINISHES						REMARKS		
		FLOOR	BASE	WALLS			CEILING			
WICKLIFFE PARK-N-RIDE										
100	TRANSIT WAITING ROOM	F2	B1	PT1	PT1	PT1	PT1	C2/C3	9'-0" / 9'-4"	
101	TOILET ROOM	F2	B1	*	*	*	*	C2	B.O. STRUCT	* CT / PT1 ALL WALLS SEE INT. ELEV.
102	TOILET ROOM	F2	B1	*	*	*	*	C2	B.O. STRUCT	* CT/PT1 ALL WALLS. SEE INT. ELEV.
103	SERVER ROOM	F1	B2	PT1	PT1	PT1	PT1	C2	B.O. STRUCT	
104	MECH ROOM	F1	B2	PT1	PT1	PT1	PT1	C2	B.O. STRUCT	
105	GEAR ROOM	F1	B2	PT1	PT1	PT1	PT1	C2	B.O. STRUCT	

FLOOR	BASE	WALLS	CEILING
F1 SEALED CONCRETE	B1 CERAMIC TILE	CT CERAMIC TILE	C1 EXPOSED CEILING (PNT)
F2 CERAMIC TILE	B2 RUBBER	PT1 PAINTED GYP. BD.	C2 GYP BD (PAINTED)
			C3 S.A.C.



HEADS & JAMBS
 SCALE: 1/8" = 1'-0"



WINDOWS & FRAMES
 SCALE: 1/4" = 1'-0"
 T= TEMPERED

DOORS & FRAMES
 SCALE: 1/8" = 1'-0"

NO	REVISION	DATE
2	ADDENDUM 2	

ISSUED FOR:
 ISSUE DATE:
 SCALE:
 DESIGNED BY:
 DRAWN BY:
 CHECKED BY:

PROJECT NO.	190065
DISCIPLINE	ARCHITECTURAL
SHEET NAME	A-06
SHEET	38
OF	49

LAKETRAN WICKLIFFE PARK-N-RIDE LOT
 29610 LAKELAND BLVD., WICKLIFFE, OH 44092

SCHEDULES & DETAILS