

Parallel 42™

Product Data Sheet

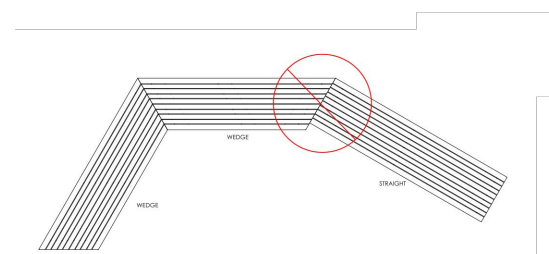


Parallel 42 is a modular wood bench system that's much more than a bench. Three easy pieces provide elegantly simple building blocks for activating social spaces. Parallel 42 is about creating variable applications for specific situations. Use right hand, left hand and wedge modules—singly or in any combination. Form simple and complex configurations. Create borders, resting places and enclaves. Or frame space to activate settings around complementary site elements.

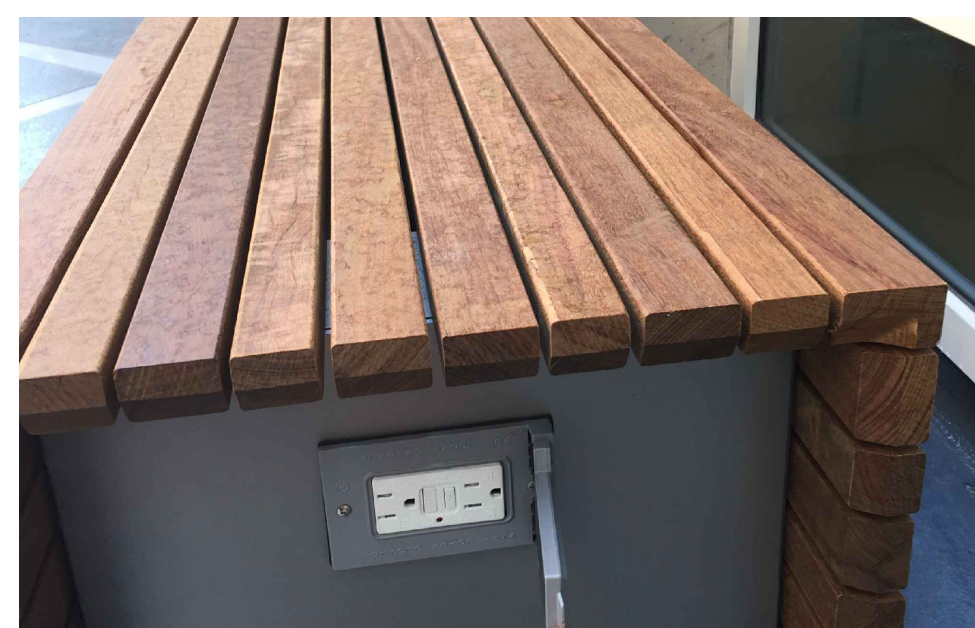
Parallel 42™

- Benching system units constructed of choice of exterior wood.
- Multiple configurations meet a variety of applications.
- Units sold individually as Left Hand, Right Hand, Straight and Wedge units.
- Supporting frame is powder coated steel.
- Units can be freestanding or surface mounted.
- Units can be placed together to make many different benching systems.
- Left and Right units are 77" long.
- Wedge unit is 67" long.
- Leveling glides are pre-installed for ready field adjustment.
- Meets ANSI/BIFMA performance standards.
- Units ship fully assembled.
- Straight end bench should not be placed end-to-end with an angled bench.

LEFT	DEPTH	LENGTH	HEIGHT	PRODUCT WEIGHT
	18"	77"	18"	181 lb
RIGHT	DEPTH	LENGTH	HEIGHT	PRODUCT WEIGHT
	18"	77"	18"	181 lb
WEDGE	DEPTH	LENGTH	HEIGHT	PRODUCT WEIGHT
	18"	67"	18"	165 lb
STRAIGHT	DEPTH	LENGTH	HEIGHT	PRODUCT WEIGHT
	18"	67"	18"	174 lb



1 Revised August 28, 2019 | Landscape Forms Inc. | 800.521.2546 | F 269.381.3455 | 7800 E. Michigan Ave., Kalamazoo, MI 49048



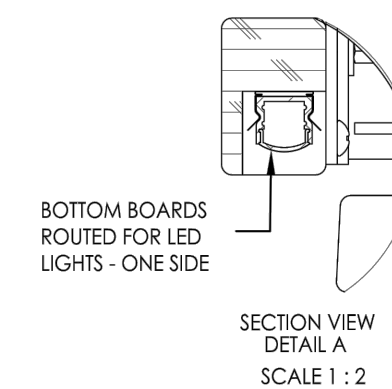
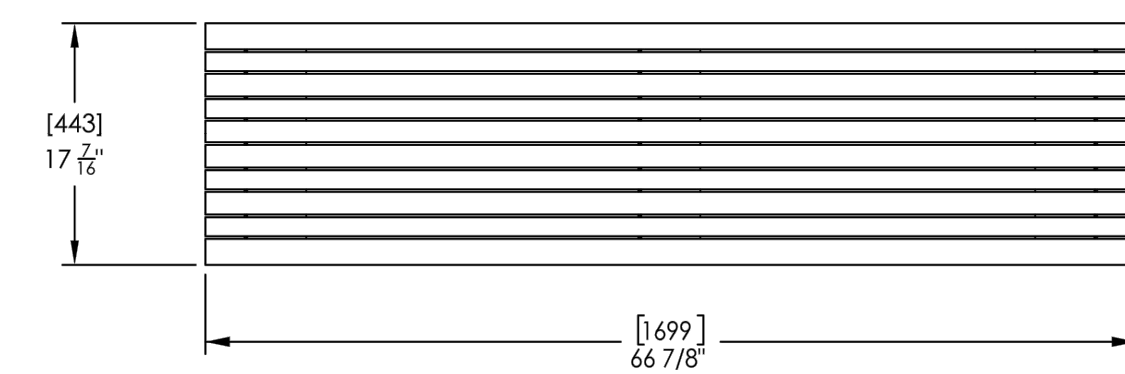
CHARGING FIXTURE ON OPEN BENCH ENDS

ISOLAURBANA MODULAR FURNITURE

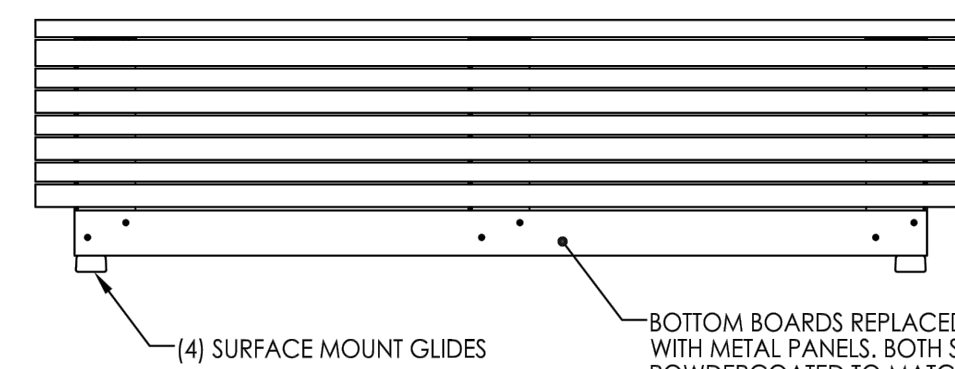
Parallel 42 67" length, straight, surface mount, Thermally Modified Ash, LED lights on one side

Special Products Drawing

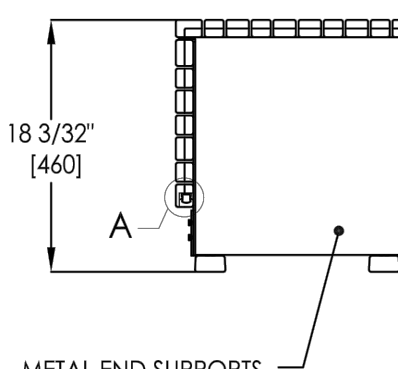
www.landscapeforms.com Date: 06/22/2018 Ph: 800.521.2546



BENCH BACKLIGHTING DETAIL



(4) SURFACE MOUNT GLIDES
BOTTOM BOARDS REPLACED WITH METAL PANELS, BOTH SIDES. POWDERCOATED TO MATCH SUPPORTS.



METAL END SUPPORTS

landscapeforms Drawing: MU999-06073-S-TMA-LED-01
Dimensions are in inches [mm]

CONFIDENTIAL DRAWING INFORMATION CONTAINED HEREIN IS THE PROPERTY OF LANDSCAPE FORMS, INC. INTENDED USE IS LIMITED TO DESIGN PROFESSIONALS SPECIFYING LANDSCAPE FORMS, INC. PRODUCTS AND THEIR DIRECT CLIENTS. DRAWING IS NOT TO BE COPIED OR DISCLOSED TO OTHERS WITHOUT THE CONSENT OF LANDSCAPE FORMS, INC. © 2018 LANDSCAPE FORMS, INC. ALL RIGHTS RESERVED.

- APPROVED
- REVISE AND RESUBMIT
- REJECTED

COMMENTS MADE ON THESE SUBMITTALS ARE FOR INFORMATION ONLY. ANY CHANGES REQUIRE THE SUBMITTAL AND APPROVAL OF CUSTOMER'S REPRESENTATIVE FOR CONFIRMING ALL QUANTITIES, DIMENSIONS, AND INSTALLATION TECHNIQUES.

BY: _____ DATE: _____

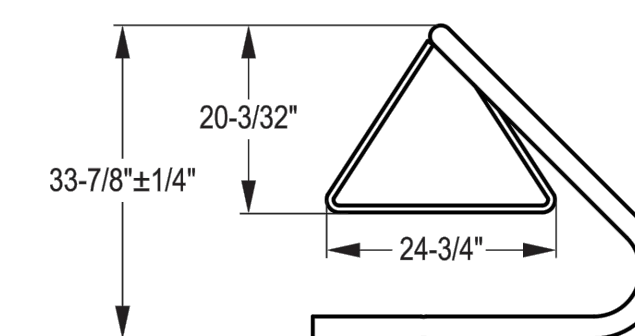
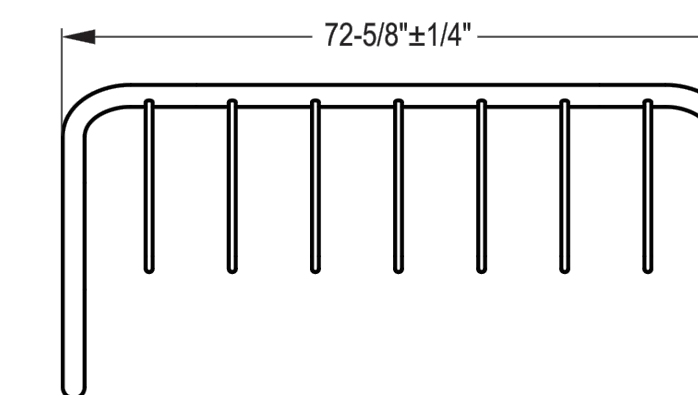
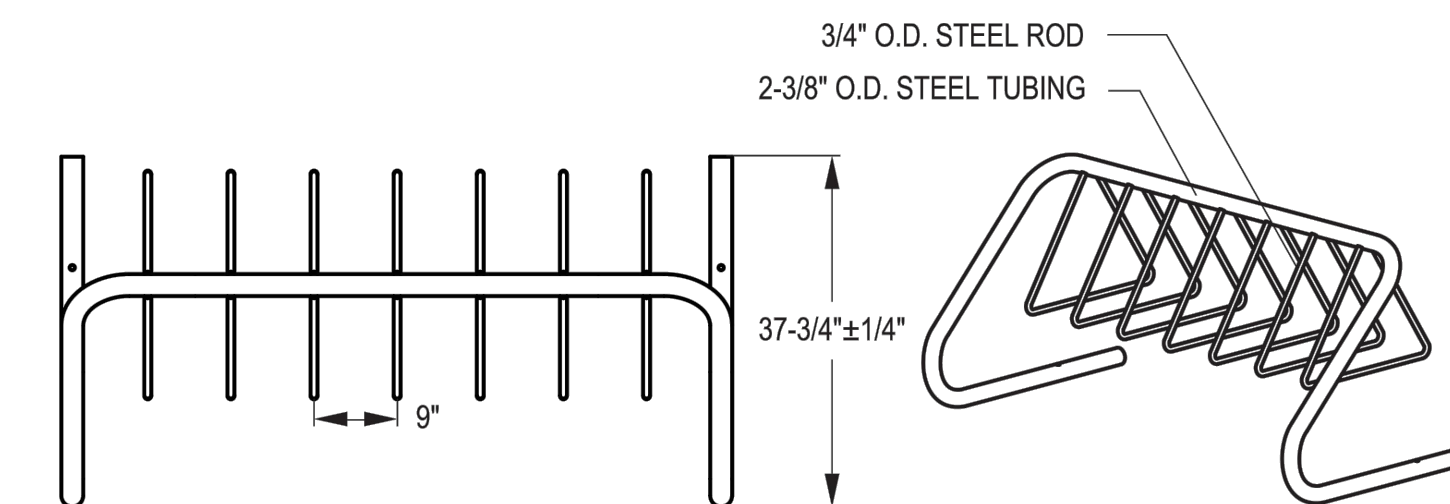


111 North River Road
North Aurora, IL 60542
Phone: (800) 323-5664
Fax: (630) 897-0573
sales@belson.com

Model # TRI-10-FS-P

Dimension Sheet

TRITON™ | 10 BIKES



www.belson.com



GENERATION 50 LITTER

Sustainability Data Sheet | AUGUST 2019



With our roots in the landscape and a stated purpose to "Enrich Outdoor Spaces," Landscape Forms has a special relationship to the natural environment. We have always been mindful that as we design and manufacture products that are acted upon by the environment, we act upon it in turn. Environmental sustainability is completely consistent with our purpose, our goals, our values and our principles. We make stewardship of the environment a vital part of our business.

To learn more about our sustainability initiatives, refer to our [Environmental Statement](#).

GENERATION 50 LITTER IS MANUFACTURED USING THE FOLLOWING MATERIALS:

Material	Parts	Recyclable
aluminum sheet metal	side panels, lid	100%
wood	side slats	100%
rotationally molded linear low density polyethylene	liner/base	100%
concrete	base	100%

Finishing

All metal is finished with Pangard II @ polyester powdercoat, which is lead-free, hazardous air pollutants-(HAPS) free, does not generate hazardous waste, and contains less than 1% VOCs. Once processed, these trace VOCs are fully inert therefore the finish does not release airborne contaminants.

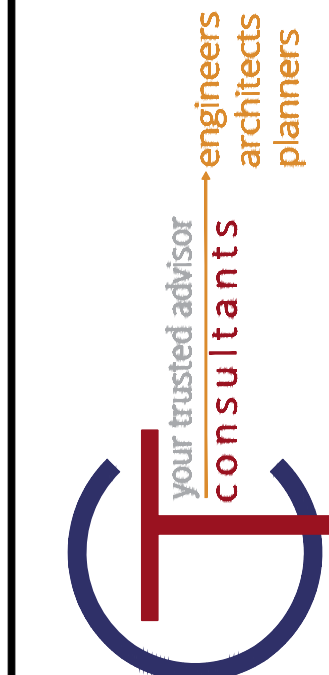
Packaging Materials	Parts	Recyclable
biodegradable plastic	product bagged to protect finish	100%
recycled skid		100%
cardboard with 35% recycled content		100%

To find local recyclers visit: for steel: www.recycle-steel.org; for cardboard: www.corrugated.org

LEED®

This product may help achieve the following points under the LEED 2009 Rating System. For specifics regarding rules for the inclusion of furniture, please consult the rating system and reference guide that applies to your project.

landscapeforms.com | 800.430.6209



ISSUED FOR:	CD	NO	REVISION	DATE
4/10/20	NA	2	ADDENDUM 2	5/06/20
ISSUE DATE:	SCALE:	DESIGNED BY:	DRAWN BY:	CHECKED BY:
NA	RDS	RDS	CEC	

LAKETRA WICKLIFFE PARK-N-RIDE LOT
29610 LAKELAND BLVD., WICKLIFFE, OH 44092

LANDSCAPE DETAIL

PROJECT NO.	190065
DISCIPLINE	CIVIL
SHEET NAME	L-3
SHEET	OF
25	49

