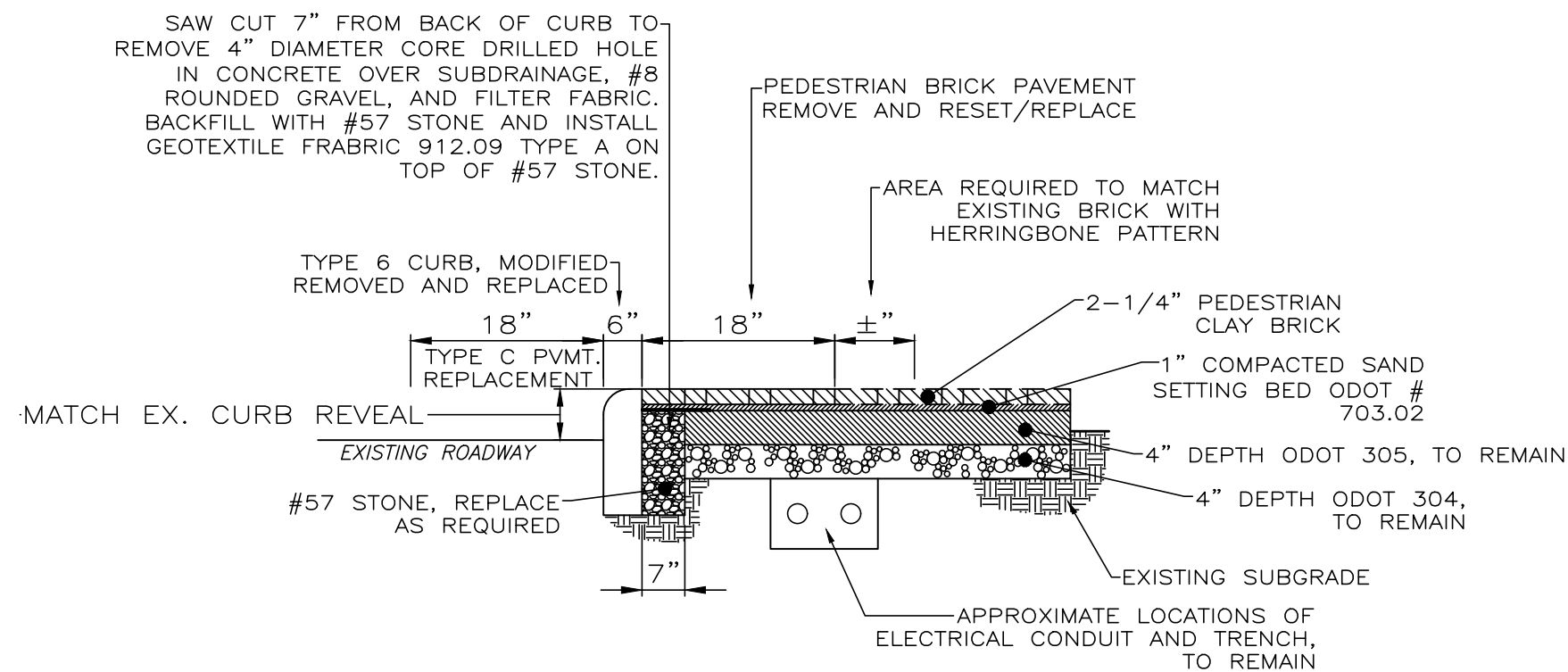


- NOTES:**
- EXISTING SUBBASE MATERIAL (IF ANY) SHALL BE REPLACED, AS DIRECTED BY ENGINEER.
 - REPLACEMENT SHALL BE REINFORCED AS PER O.D.O.T. ITEM 709.10 OR 709.12 IF EXISTING PAVEMENT IS REINFORCED.
 - 5/8" Ø HOOKBOLT @ 30" O.C. MAY BE REQUIRED AS DIRECTED BY THE ENGINEER.
- * WHERE WIDTH IS LESS THAN 3'-0" OR EXISTING PAVEMENT IS DETERIORATED, THE CONTRACTOR SHALL REPLACE ADDITIONAL PAVEMENT AS DIRECTED BY THE ENGINEER. PAYMENT FOR ADDITIONAL PAVEMENT REPLACEMENT AS DIRECTED BY THE ENGINEER SHALL BE AT THE SAME UNIT PRICE BID.

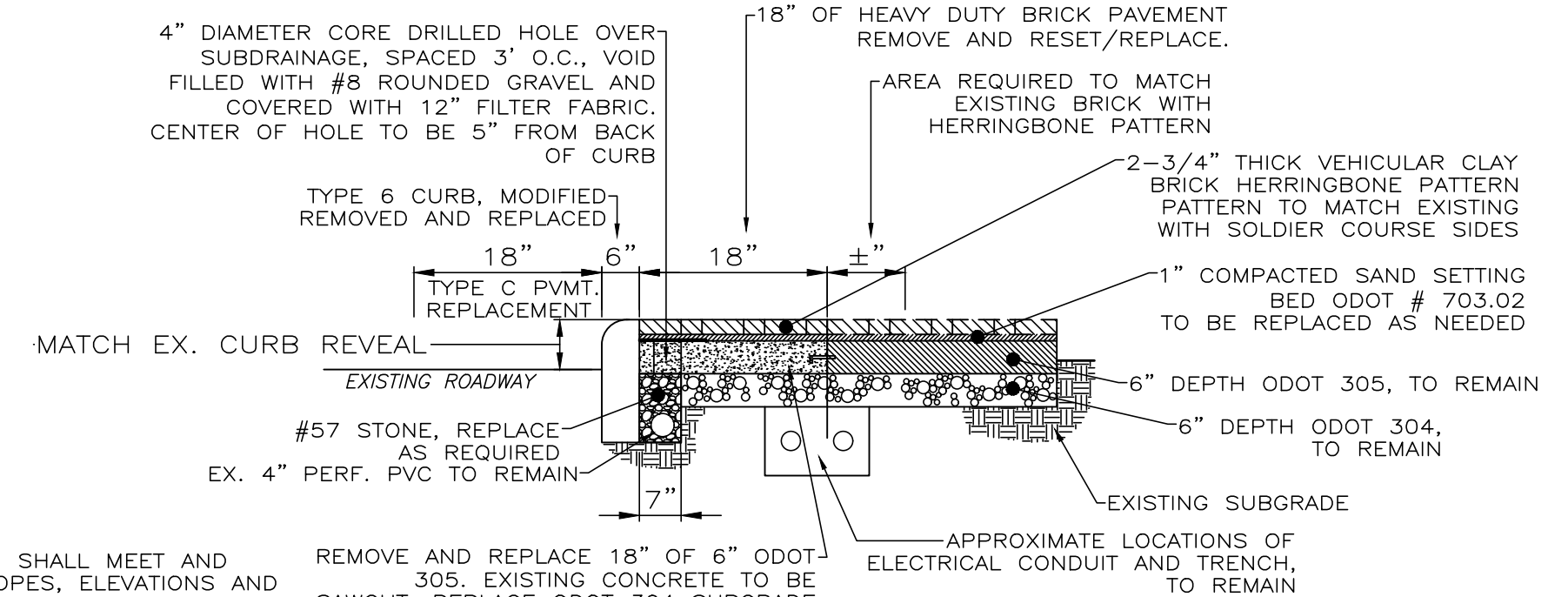
TYPE A PAVEMENT REPLACEMENT

NOT TO SCALE



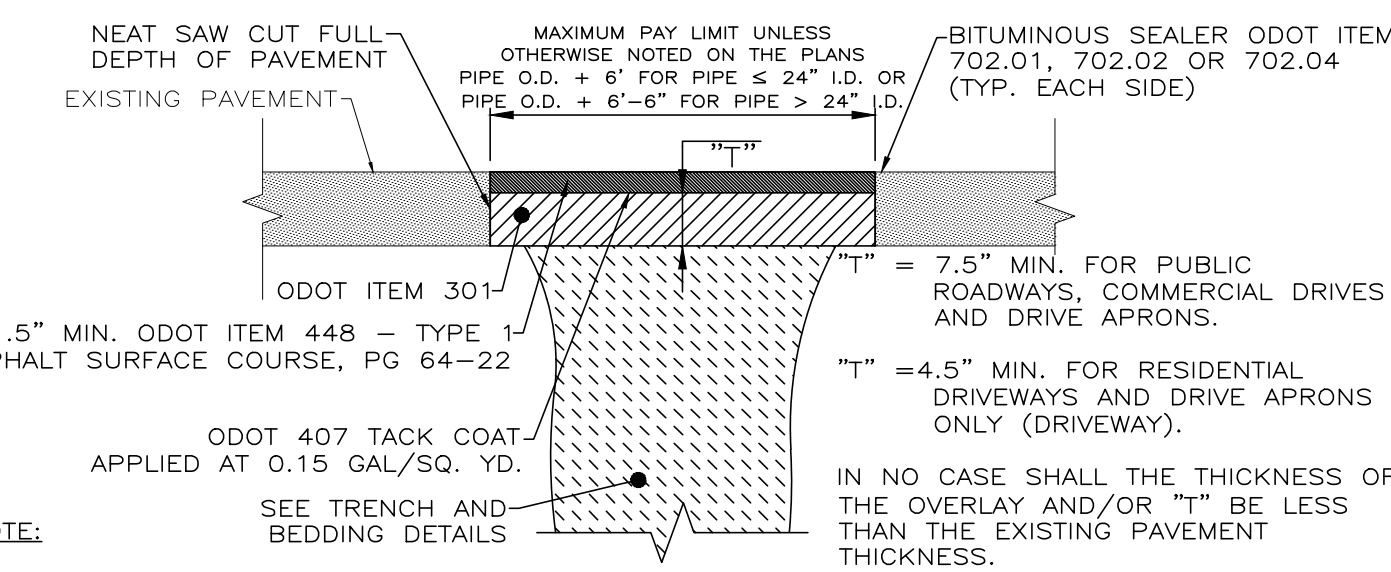
PEDESTRIAN CLAY BRICK PAVEMENT FOR SIDEWALKS

NOT TO SCALE



HEAVY DUTY CLAY BRICK PAVEMENT FOR SIDEWALKS

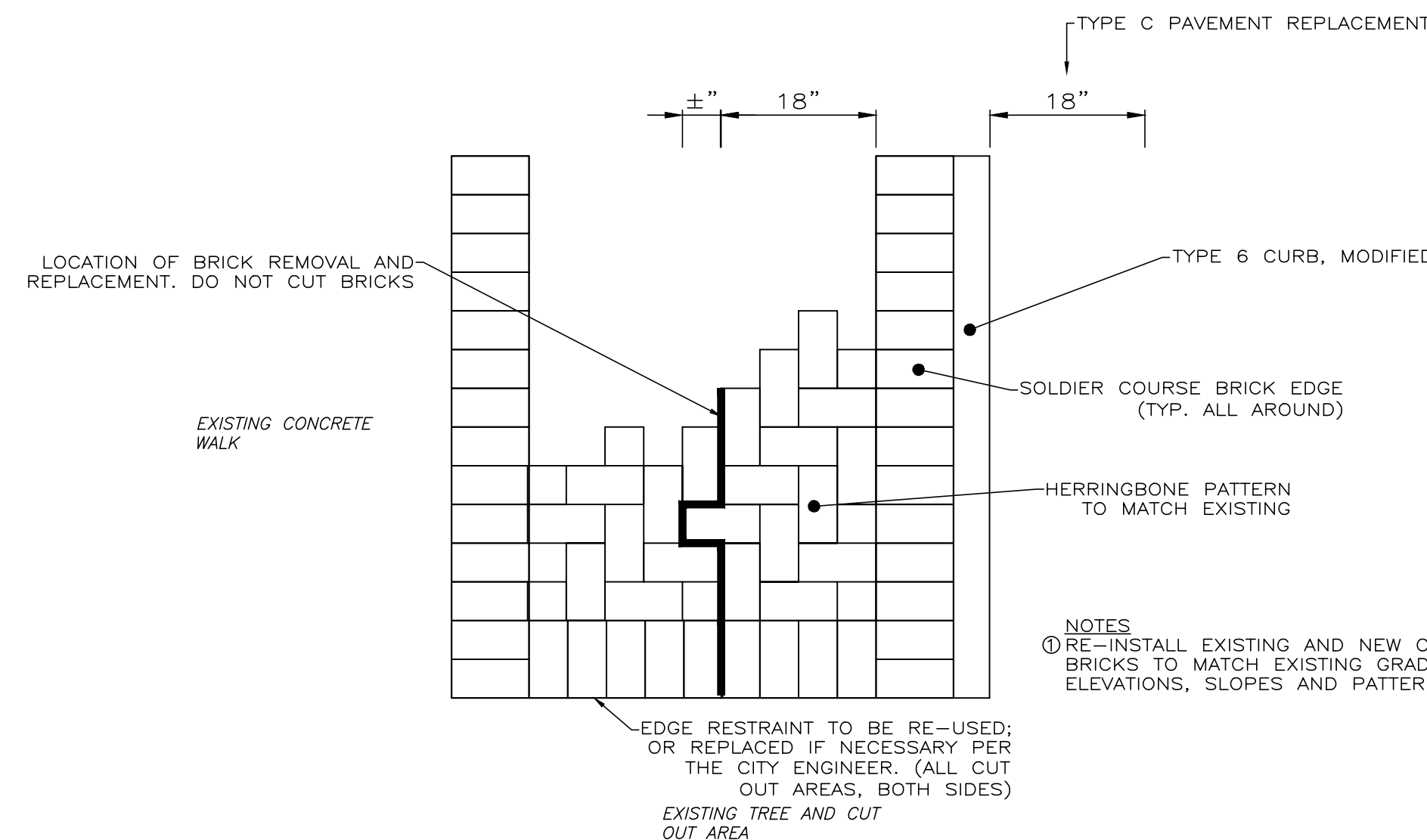
NOT TO SCALE



- NOTE:**
- EXISTING SUBBASE MATERIAL (IF ANY) SHALL BE REPLACED, AS DIRECTED BY ENGINEER.
 - WHERE WIDTH IS LESS THAN 3'-0" OR EXISTING PAVEMENT IS DETERIORATED, THE CONTRACTOR SHALL REPLACE ADDITIONAL PAVEMENT AS DIRECTED BY THE ENGINEER. PAYMENT FOR ADDITIONAL PAVEMENT REPLACEMENT AS DIRECTED BY THE ENGINEER SHALL BE AT THE SAME UNIT PRICE BID.
 - THE CONTRACTOR SHOULD EXPECT TO ENCOUNTER EXISTING ASPHALT OVER CONCRETE OVER BRICK AND WILL VARY THROUGH OUT.
 - TRENCH REPAIRS SHALL BE WITHIN 1.5 INCHES OF FINAL SURFACE LEVATION BEFORE OPENING TO TRAFFIC.

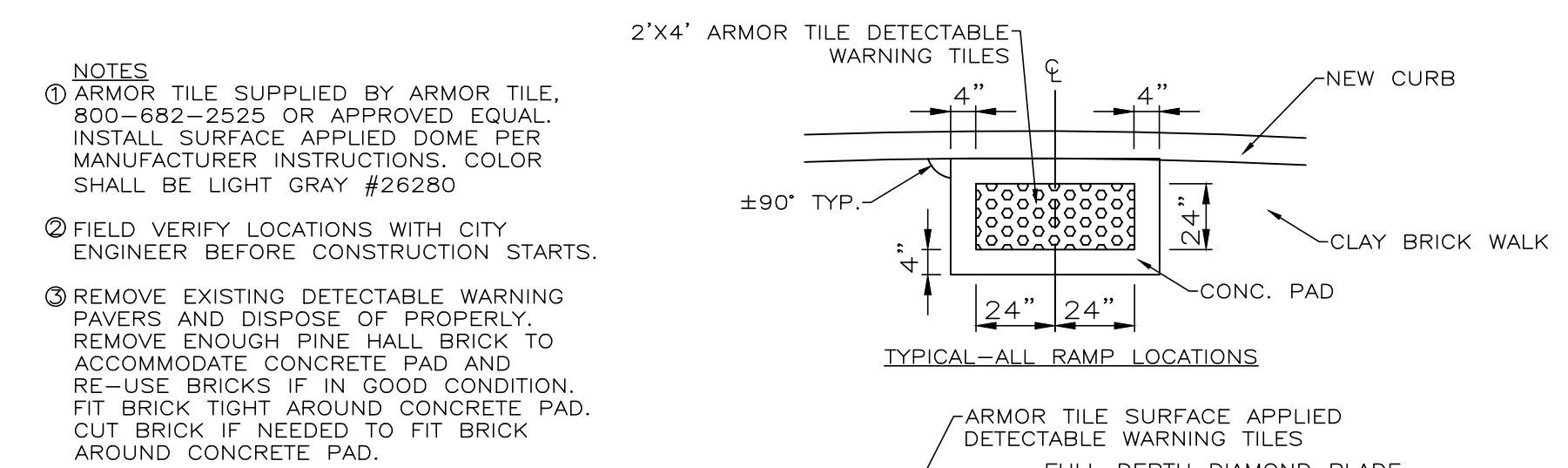
TYPE C PAVEMENT REPLACEMENT

NOT TO SCALE



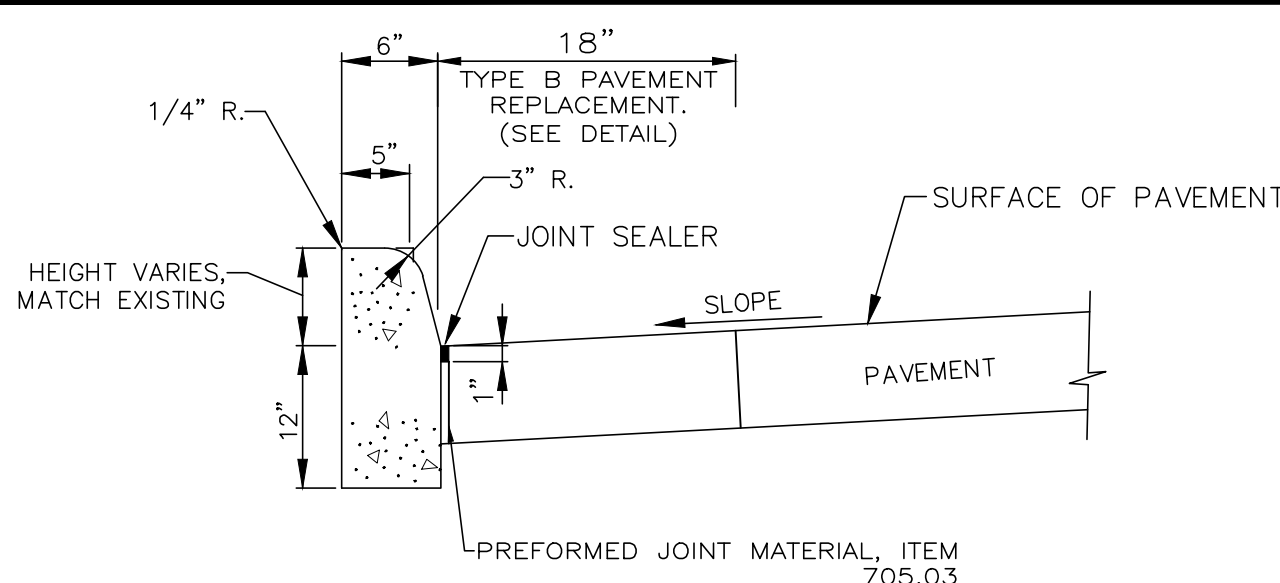
SIDEWALK PAVER PATTERN AND REMOVAL AREA

NOT TO SCALE

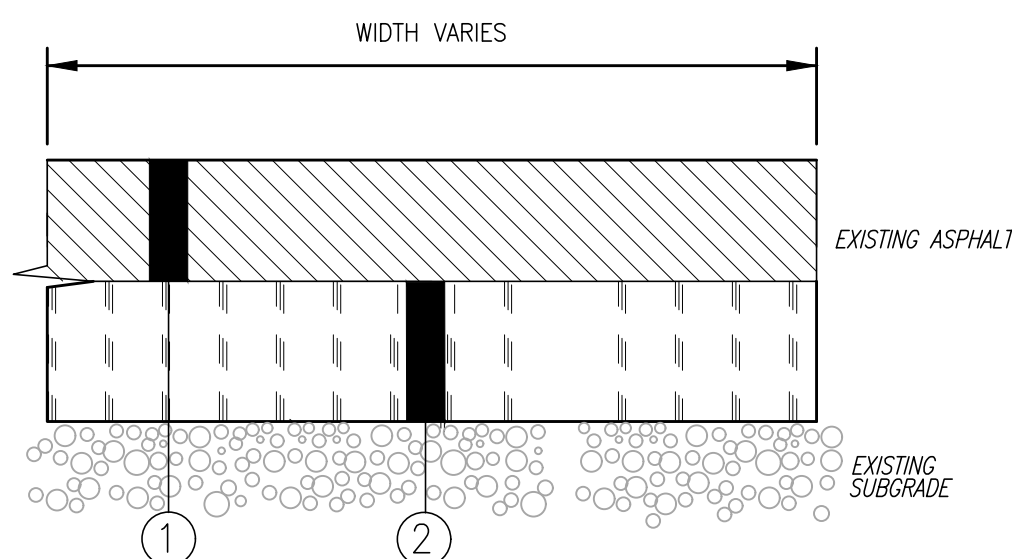


HANDICAP RAMP REPLACEMENT

NOT TO SCALE

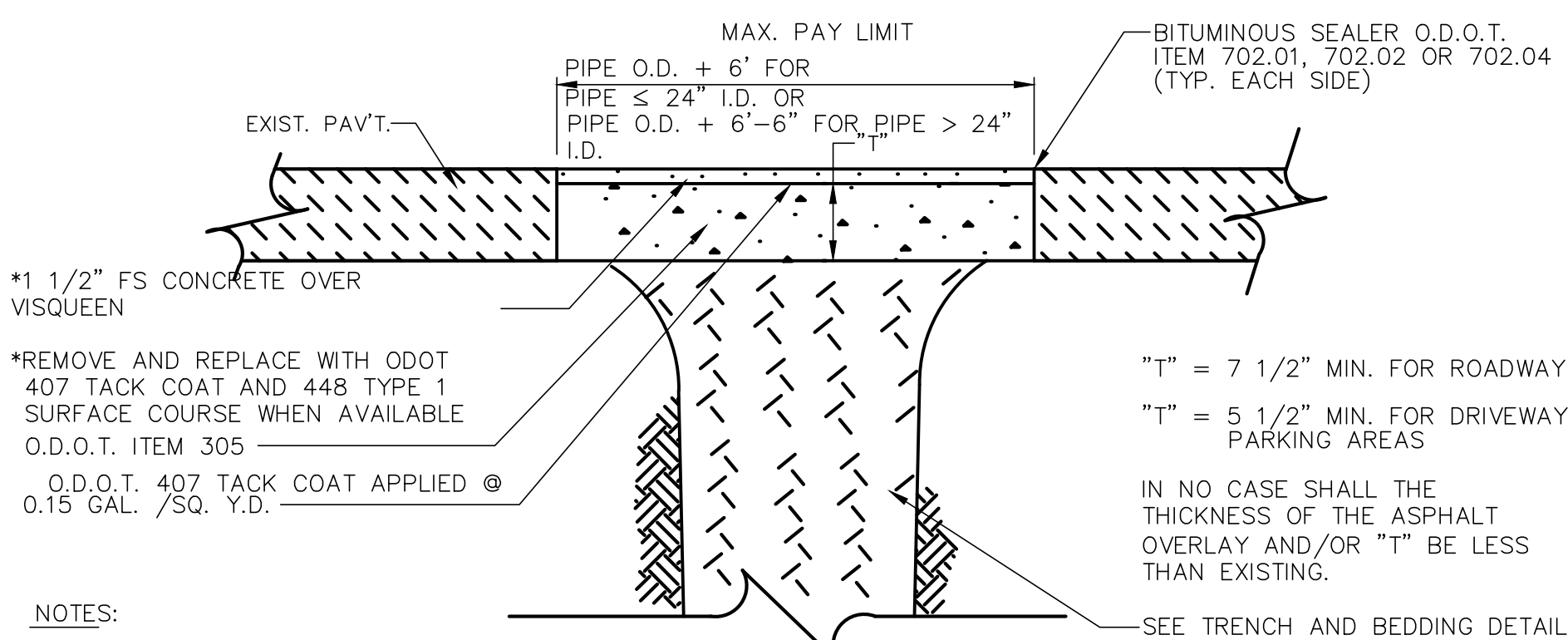


CURB, TYPE 6 MODIFIED (VERTICAL CURB)



304 AGGREGATE BASE, AS PER PLAN (REPAIR DETAIL)

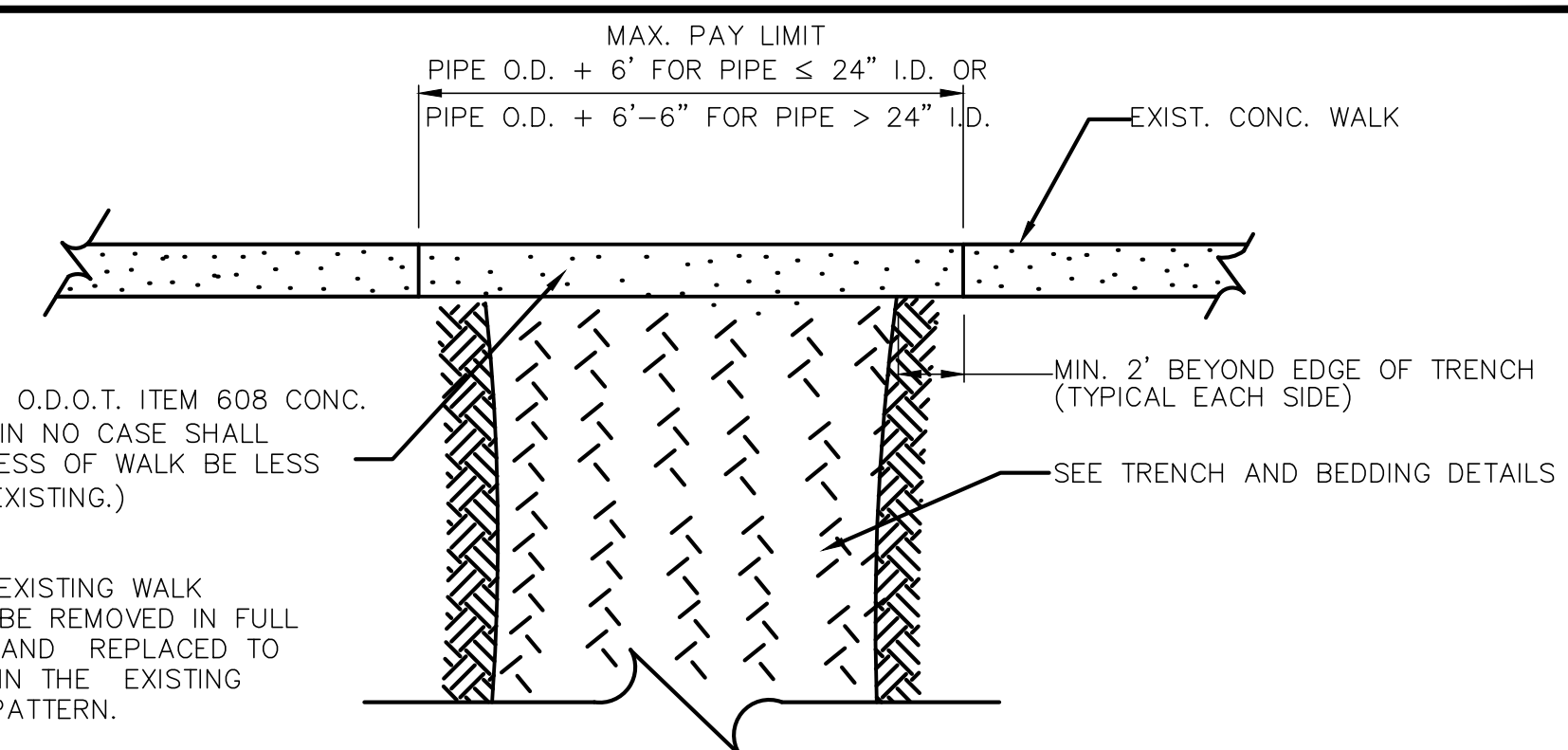
- TYPE C PAVEMENT REMOVED & REPLACED AREA PAID UNDER SEPARATE BID ITEM
- ODOT ITEM 304 - EXISTING BASE REMOVED & NEW ODOT 304 COMPACTED IN PLACE AVERAGE THICKNESS OF 12 INCHES



TYPE W PAVEMENT REPLACEMENT

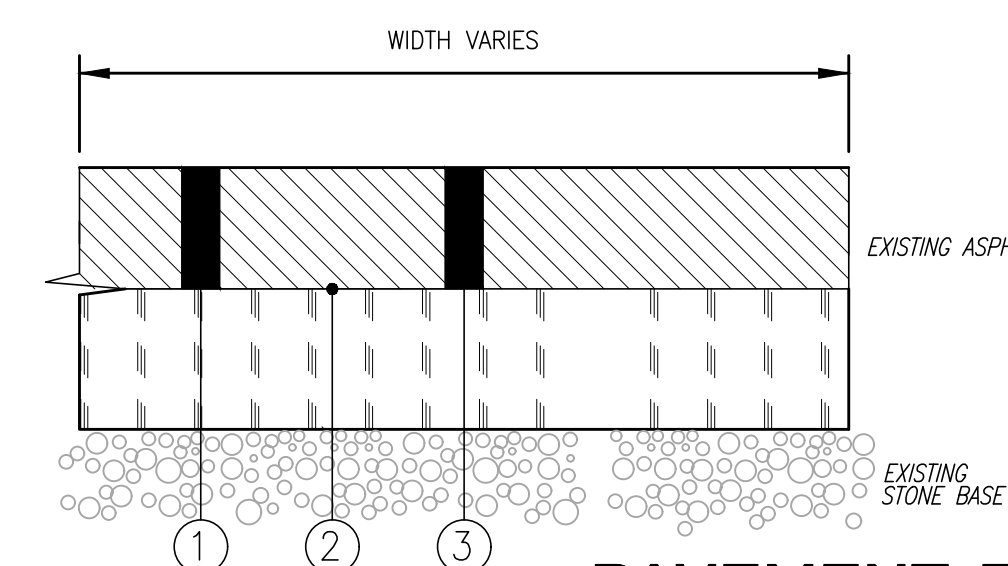
7/08 SD-5-2.1

IF WATER LINE IS CONSTRUCTED DURING THE WINTER MONTHS (ASPHALT NOT AVAILABLE) TYPE W SHALL BE USED IN LIEU OF TYPE C.



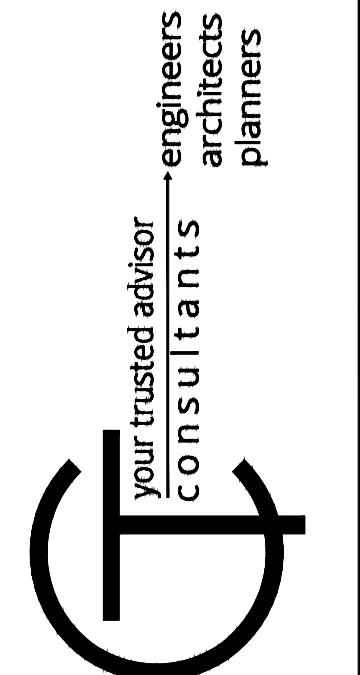
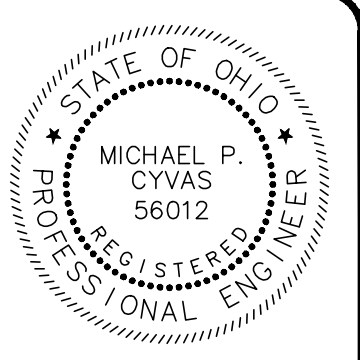
CONCRETE WALK REPLACEMENT

12/18 SD-5-7



- 1.5" PAVEMENT PLANING
- ODOT ITEM 407 - TACK COAT (0.10 GAL/SY)
- 1.5" ODOT ITEM 448 - ASPHALT SURFACE COURSE, TYPE 1, PG64-22

PAVEMENT RESURFACING DETAIL



DATE	REVISION	NO	ISSUED FOR/UTILITY COORD.	ISSUE DATE:	SCALE:	DESIGNED BY:	DRAWN BY:	CHECKED BY:
				08/28/18	AS SHOWN	MPC	MPC/JPL	XXX

ERIE STREET WATER LINE REPLACEMENT
 LAKE COUNTY DEPARTMENT OF UTILITIES
 - WILLOUGHBY -
CONSTRUCTION DETAILS 4

PROJECT NO.	180608
DISCIPLINE	CIVIL
SHEET NAME	CD-04
SHEET	17
OF	20