

your trusted advisor  
engineers  
architects  
planners  
consultants

| DATE | REVISION | NO | CD         | ISSUED FOR: | ISSUE DATE: | SCALE: | DESIGNED BY: | DRAWN BY: | CHECKED BY: |
|------|----------|----|------------|-------------|-------------|--------|--------------|-----------|-------------|
|      |          |    | 08/05/2019 | AS SHOWN    |             |        |              |           |             |

LAKELAND TRANSFER STATION  
LAKELAND COMMUNITY COLLEGE  
7700 CLOCKTOWER DR., KIRTLAND, OH 44094

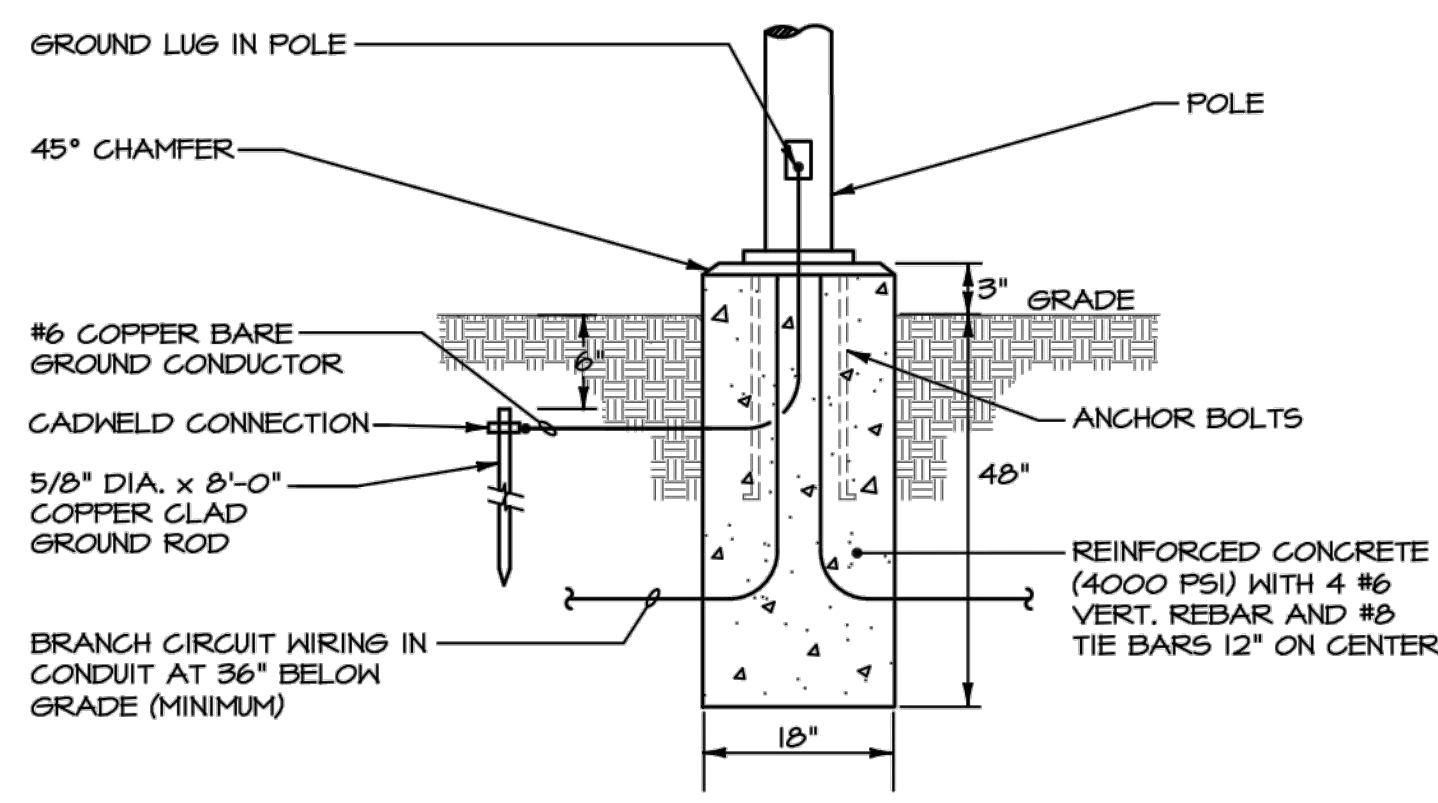
|             |    |            |
|-------------|----|------------|
| PROJECT NO. |    | 18050002   |
| DISCIPLINE  |    | ELECTRICAL |
| SHEET NAME  |    | E-3        |
| SHEET       | OF | 54 55      |

**GENERAL NOTES**

- A. REFER TO SPECIFICATIONS FOR ADDITIONAL REQUIREMENTS.
- B. EXACT UNDERGROUND CONDUIT ROUTINGS TO BE DETERMINED IN THE FIELD TO BE COORDINATED WITH ALL OTHER UTILITIES.
- C. COORDINATE THE INSTALLATION OF ALL NEW LIGHT POLES AND BASES WITH SITE CIVIL CONTRACTOR. ALL UNDERGROUND WORK SHALL BE INSTALLED PRIOR TO PAVING. NO SAWCUTTING OR PATCHING AS A RESULT OF IMPROPER COORDINATION IS PERMITTED.
- D. THE NEW POLES SHALL BE FURNISHED WITH WIRELESS NETWORK NODES INSTALLED AND ACTIVATED, HOWEVER, THE METHOD OF CONTROL WILL BE FROM THE LIGHTING RELAY PANEL. THE OWNER WILL CONTRACT WITH SIEMENS LIGHTING CONTROL AT A LATER DATE TO PROGRAM AND SETUP THE WIRELESS NETWORK SYSTEM.

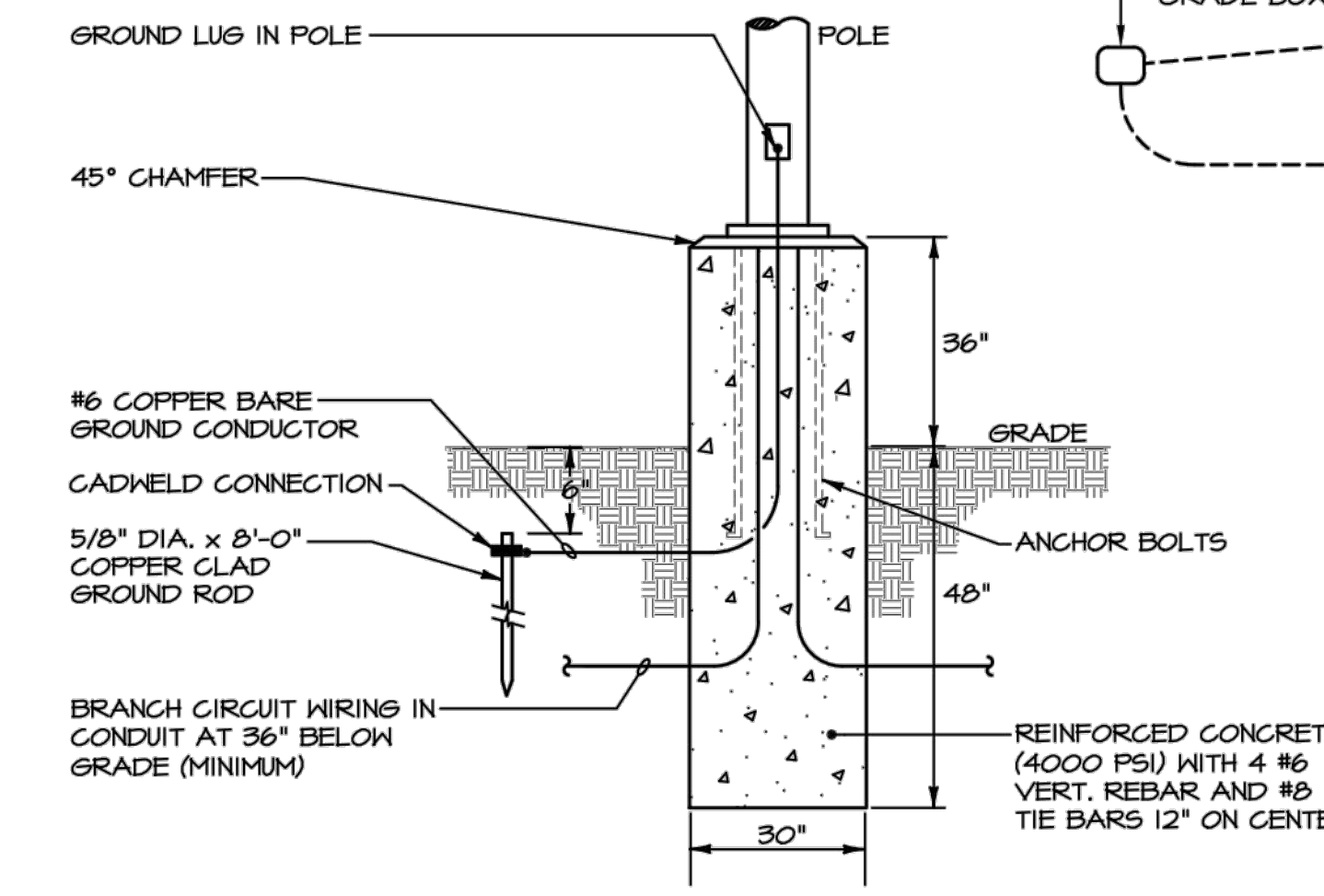
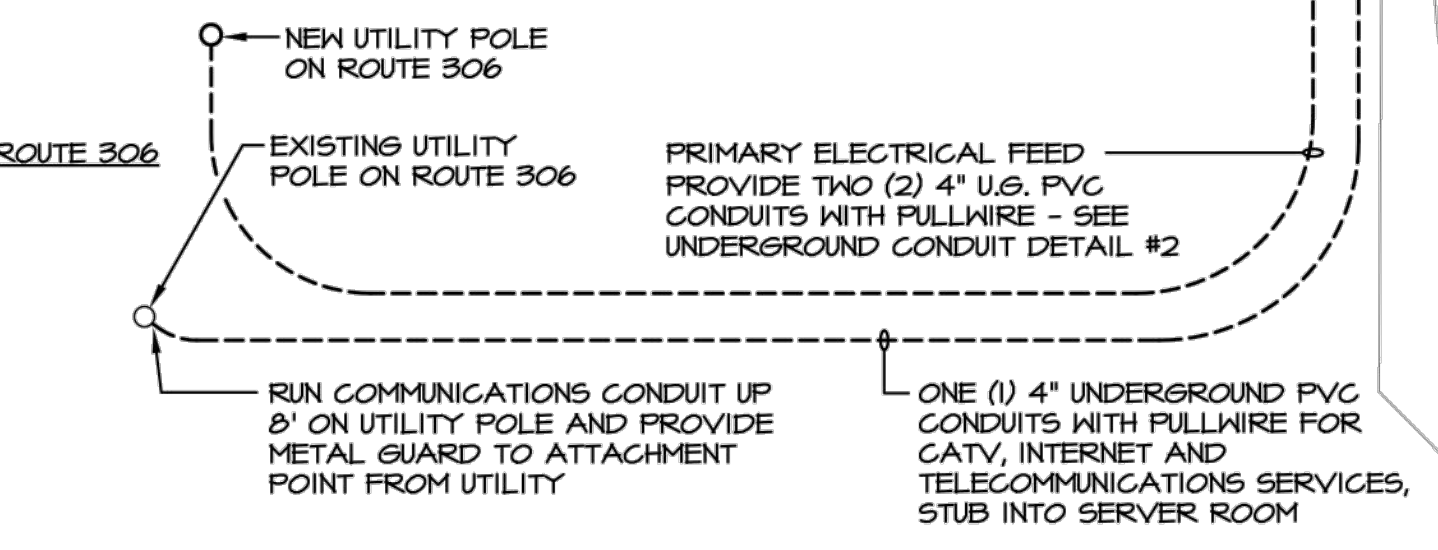
**PLAN NOTES**

1. INTERNALLY ILLUMINATED MONUMENT SIGN - 120V, 1 PHASE, 0.5KW ASSUMED. PROVIDE 30 AMPERE UN-FUSED WEATHERPROOF DISCONNECT. WIRE THROUGH LIGHTING RELAY PANEL TO 20/1 BRANCH CIRCUIT BREAKER INDICATED. PROVIDE 2-8 AWG & 1-10 AWG GND - 1 1/2" UNDERGROUND PVC CONDUIT. RELAY CONTROL IS TO BE PHOTOCELL ON, PHOTOCELL OFF.
2. PROVIDE (3) THREE 1" PVC CONDUITS WITH FULLWIRE WITH CONDUIT STUBBED FROM BELOW TO 1" UNDER COVER (AND CAP) OF IN-GRADE 8"X8"X12"D FULLBOX (WITH TIER 15 LOAD RATINGS) FOR SIGNAL LIGHT WITH LABEL "ELECTRIC" - TO BE QUARTZITE #PC0808BB12 / PC0808HS00IT OR EQUAL. SEE UNDERGROUND CONDUIT DETAIL #1. STUB, CAP AND LABEL CONDUIT ADJACENT TO MAIN DISTRIBUTION PANEL 'BCP'.
3. EXISTING CATV IN-GRADE BOX AND RELATED CONDUIT AND WIRING TO BE REMOVED AND RELOCATED. EXTEND CONDUIT AND CATV CABLING TO NEW LOCATION INDICATED.
4. PROVIDE 2-10 AWG & 1-10 AWG GND - 3/4" UNDERGROUND PVC CONDUIT.
5. EXISTING LIGHTING POLE TO BE REMOVED. REMOVE EXISTING LIGHT, INSTALL NEW GRADE BOX AND MAINTAIN BRANCH CIRCUIT WIRING FOR DOWNSTREAM LIGHTING FIXTURES TO REMAIN.



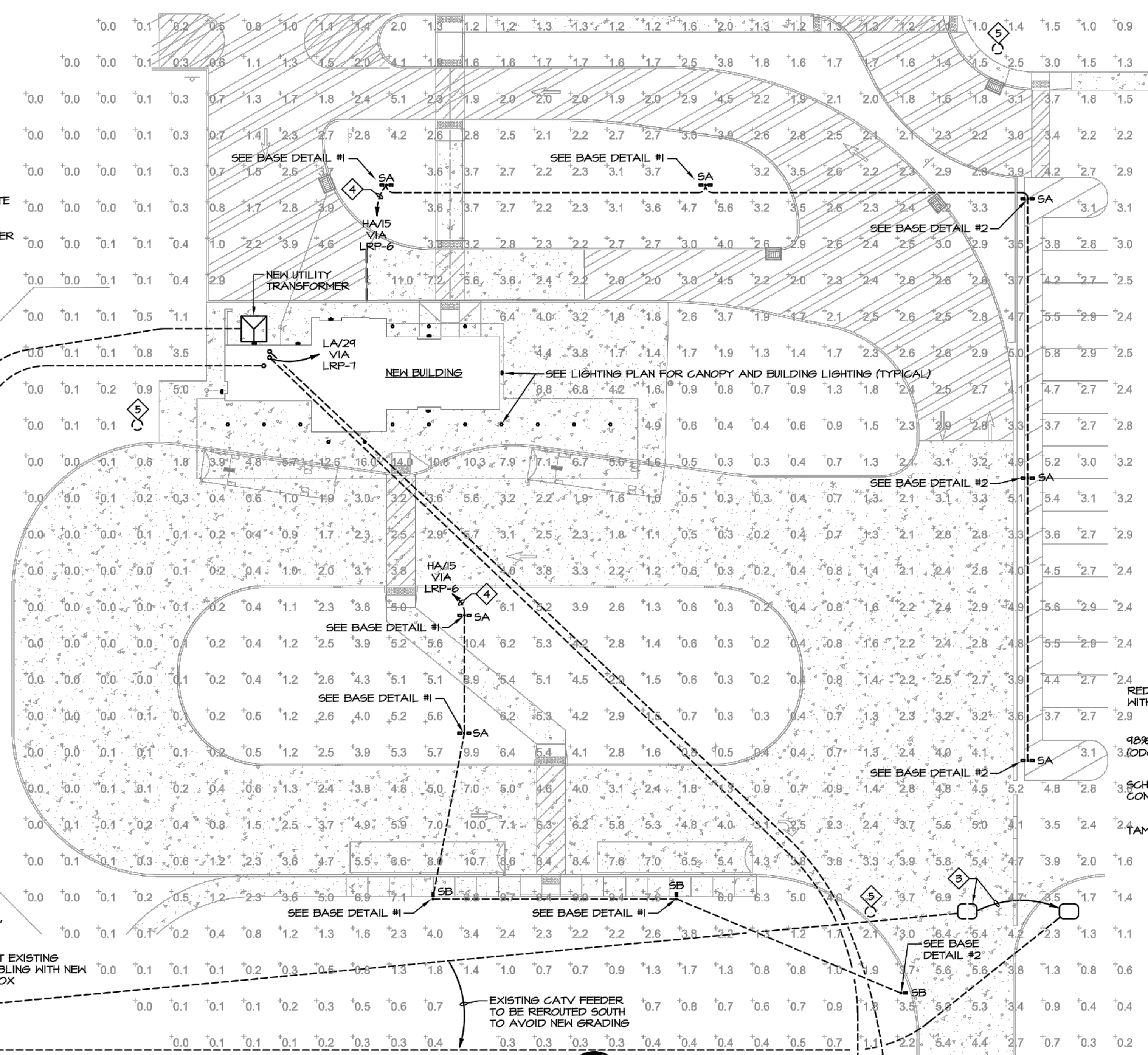
**FLUSH MOUNTED LIGHTING POLE BASE - DETAIL #1**  
NO SCALE

NOTE: POSITION EDGE OF BASE AT 12" MINIMUM FROM ADJACENT SIDEWALK.



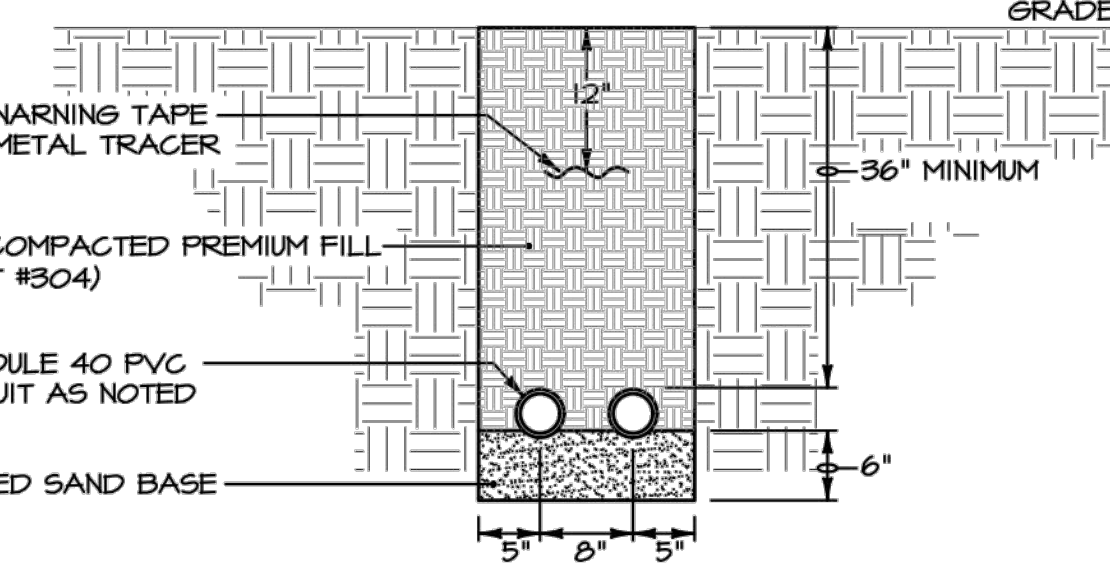
**LIGHTING POLE BASE - DETAIL #2**  
NO SCALE

NOTE: POSITION EDGE OF BASE AT 24" MINIMUM FROM ADJACENT CURB. POLE IS OVER-SIZED TO RESIST HEAVY TRAFFIC AND SNOW FLOWS.



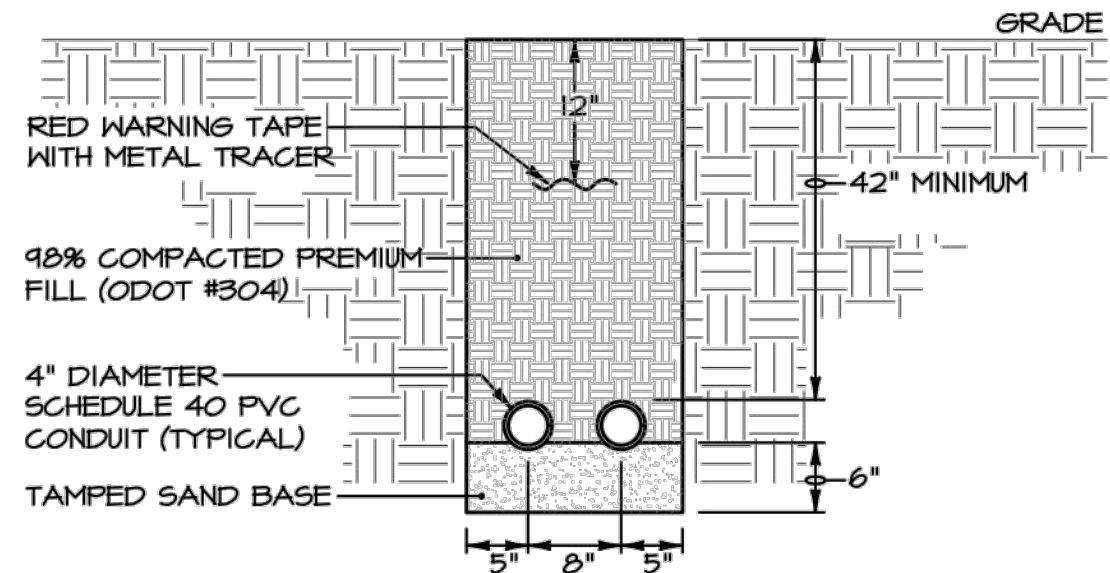
**ELECTRICAL SITE PLAN**  
SCALE: 1" = 20'-0"

| LUMINAIRE SCHEDULE |                 |           |                       |   |                            |                     |  |  |
|--------------------|-----------------|-----------|-----------------------|---|----------------------------|---------------------|--|--|
| TYPE               | LUMINAIRE WATTS | LAMP TYPE | DESCRIPTION           | MOUNTING  | MANUFACTURER               | CATALOG NUMBER      | REMARKS  |  |
| A                  | 60              | 277       | LED 4000K 8000 LUMENS | CABLE SUSPENDED 8' LONG LED DIRECT/INDIRECT LINEAR FIXTURE WITH DUST COVER AND FINISH TO BE SELECTED BY ARCHITECT.                              | SUSPENDED AT 11'-0" A.F.F. | CORELITE            | DSI-WS-40L840-1D-UNV-STD-DC-FINISH-A-C48-T1-8        |  |
| AE                 | 60              | 277       | LED 4000K 8000 LUMENS | SAME AS TYPE 'A', EXCEPT WITH INTEGRAL BATTERY BACKUP.  | SUSPENDED AT 11'-0" A.F.F. | CORELITE            | DSI-WS-40L840-1D-UNV-STD-EL-14W-DC-FINISH-A-C48-T1-8 |  |
| B                  | 28              | 277       | LED 4000K 3000 LUMENS | 6" DIAMETER LED DOWNLIGHT WITH NARROW DISTRIBUTION OPTICS, SPECULAR CLEAR REFLECTOR AND INTEGRAL 0-10V DIMMING DRIVER.                          | RECESSED                   | PORTFOLIO           | LD68-30-D010 / EL68-3050-80-40 / 6LB-N-1-LI          |  |
| BE                 | 28              | 277       | LED 4000K 3000 LUMENS | SAME AS TYPE 'B', EXCEPT WITH INTEGRAL BATTERY BACKUP.  | RECESSED                   | PORTFOLIO           | LD68-30-D010-EM14 / EL68-3050-80-40 / 6LB-N-1-LI     |  |
| D                  | 27              | 277       | LED 4000K 3000 LUMENS | 8" DIAMETER LED DOWNLIGHT WITH SPECULAR CLEAR REFLECTOR AND INTEGRAL 0-10V DIMMING DRIVER.  | RECESSED                   | PORTFOLIO           | LD68-30-D010 / ER8-3040-8040 / 8LB-M-1-LI            |  |
| FE                 | 28              | 277       | LED 4000K 3000 LUMENS | 6" DIAMETER LED DOWNLIGHT WITH MEDIUM DISTRIBUTION OPTICS, SPECULAR CLEAR REFLECTOR, INTEGRAL BATTERY BACKUP AND INTEGRAL 0-10V DIMMING DRIVER. | RECESSED                   | PORTFOLIO           | LD68-30-D010-EM14 / EL68-3050-80-40 / 6LB-M-1-LI     |  |
| H                  | 31              | 277       | LED 4000K 4269 LUMENS | CHAIN SUSPENDED 4' LONG LENSED LED STRIPLIGHT.  | SUSPENDED AT 10'-0" A.F.F. | METALUX             | 4SLED-LD5-41SL-LW-UNV-L840-CDI-AYC-CHAINSET          |  |
| HE                 | 31              | 277       | LED 4000K 4269 LUMENS | SAME AS TYPE 'H', EXCEPT WITH INTEGRAL BATTERY BACKUP.  | SUSPENDED AT 10'-0" A.F.F. | METALUX             | 4SLED-LD5-41SL-LW-UNV-EL14W-L840-CDI-AYC-CHAINSET    |  |
| SA                 | 226             | 277       | LED 4000K             | SITE LED POLE WITH 2 HEADS AT 180 DEGREES. TYPE 'N' WIDE DISTRIBUTION. 18'-0" ALUMINUM ROUND TAPERED POLE. BRONZE FINISHES.                     | 18'-0" POLE                | MCGRAW EDISON HAPOO | GLEON-AF-02-E1-T4W-BZ RTA SERIES POLE                |  |
| SB                 | 166             | 277       | LED 4000K             | SAME AS TYPE 'SA', EXCEPT WITH SINGLE HEAD. TYPE 'II' DISTRIBUTION AND HIGHER LUMEN PACKAGE.  | 18'-0" POLE                | MCGRAW EDISON HAPOO | GLEON-AF-03-E1-T2-BZ RTA SERIES POLE                 |  |
| WP                 | 49              | 277       | LED 4000K 4313 LUMENS | LED WALL PACK WITH INTEGRAL COLD WEATHER BATTERY BACKUP. FINISH TO BE SELECTED BY ARCHITECT.  | WALL AT 9'-0" A.F.F.       | MCGRAW EDISON       | ENC-F02-LED-27V-BL4-FINISH-CWB                       |  |
| X                  | 1               | 277       | LED                   | LED EDGE-LIT EXIT SIGN WITH RED LETTERING AND INTEGRAL BATTERY BACKUP. SELF DIAGNOSTICS.  | WALL ABOVE DOOR            | SURE-LITES          | EUX7-1-R-SD  |  |



**TYPICAL UNDERGROUND CONDUIT DETAIL #1 - NON ENCASED**  
NO SCALE

DETAIL #1 NOTE:  
1) THIS TYPICAL DETAIL APPLIES TO ALL UNDERGROUND CONDUIT ROUTING UNLESS OTHERWISE NOTED.



**UNDERGROUND CONDUIT DETAIL #2 - NON ENCASED**  
NO SCALE

DETAIL #2 NOTE:  
1) PROVIDE 6" CONCRETE COVER WHEN ROUTED BELOW DRIVES AND PARKING AREAS.

**2 WORKING DAYS BEFORE YOU DIG**

CALL TOLL FREE **800-362-2764**

OHIO UTILITIES PROTECTION SERVICE

**tec inc.**  
engineering & design  
cleveland | columbus

38851 Curtis Blvd., 216  
Eastlake, OH 44025  
1.440.953.8760  
1.440.953.1289  
www.tecinc.com