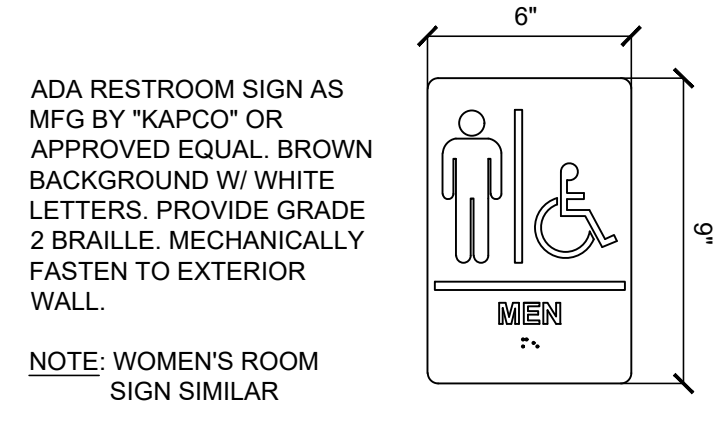


TOILET ROOM ACCESSORIES-LEGEND

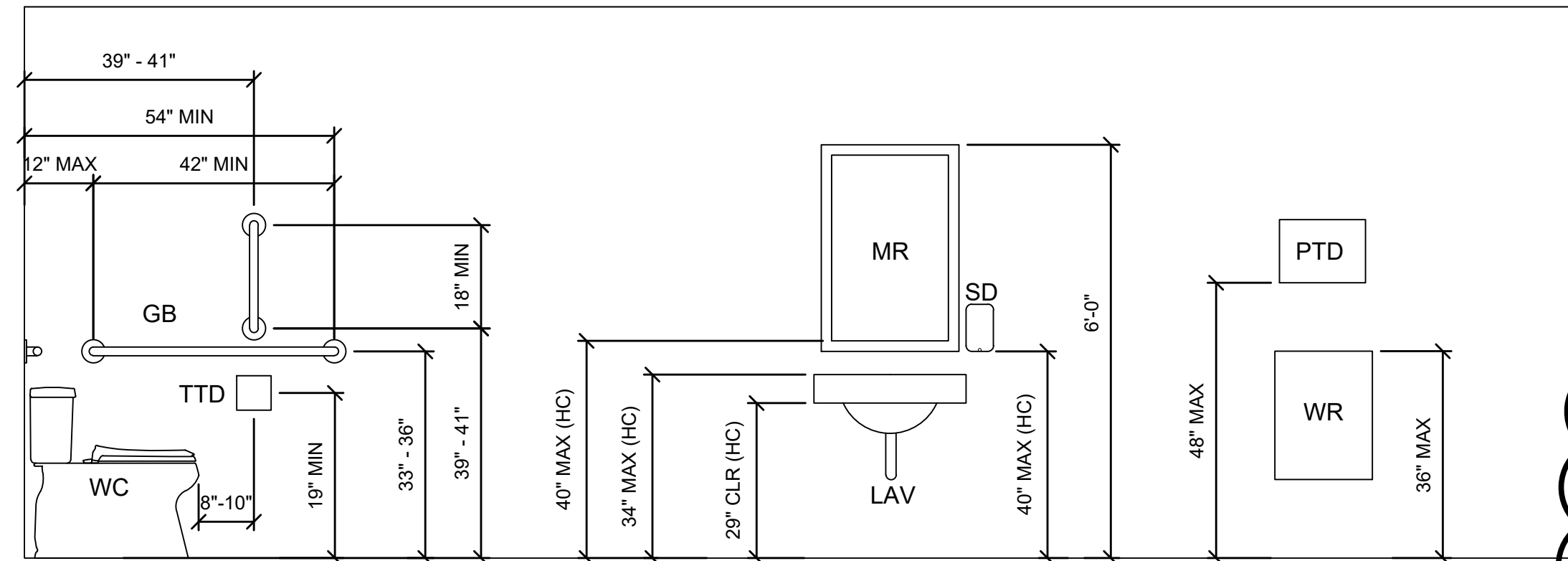
① → 24"x36" FLAT MIRROR (SURFACE MOUNTED)	⑦ → BABY CHANGING STATION - KOALA KB 200 - SEE SPEC. SEE FLOOR PLANS FOR LOCATION, TYP. OF 4.
② → SOAP DISPENSER/ SURFACE MOUNT	⑧ → 18" GRAB BARS
③ → TOILET PAPER DISPENSER SURFACE MOUNT	
④ → 36" GRAB BARS	
⑤ → PAPER TOWEL AND WASTE RECEPTILE	
⑥ → 42" GRAB BARS	



ROOM FINISH SCHEDULE

NUMBER	NAME	FINISHES						REMARKS
		FLOOR	BASE	NORTH	EAST	SOUTH	WEST	
LAKETRAN TRANSFER CENTER								
01	TRANSIT WAITING ROOM	F2	B1	PT1	PT1	PT2	C2/C3	-
02	GEAR ROOM	F1	PT2	PT2	PT2	PT2	C1	-
03	MECHANICAL ROOM	F1	PT1	PT1	PT2	PT2	C1	-
04	SERVER ROOM	F1	PT1	PT2	PT1	PT1	C1	-
05	WATER ROOM	F1	PT1	PT2	PT2	PT1	C1	-
06	CORRIDOR	F2	B1	PT2	PT2	PT1	-	C2/C3 8'-8" / 10'-0"
07	MEN'S TOILET ROOM	F2	B1	C/PT1	C/PT1	C/PT1	C2	8'-6"
08	WOMEN'S TOILET ROOM	F2	B1	C/PT1	C/PT1	C/PT1	C2	8'-6"

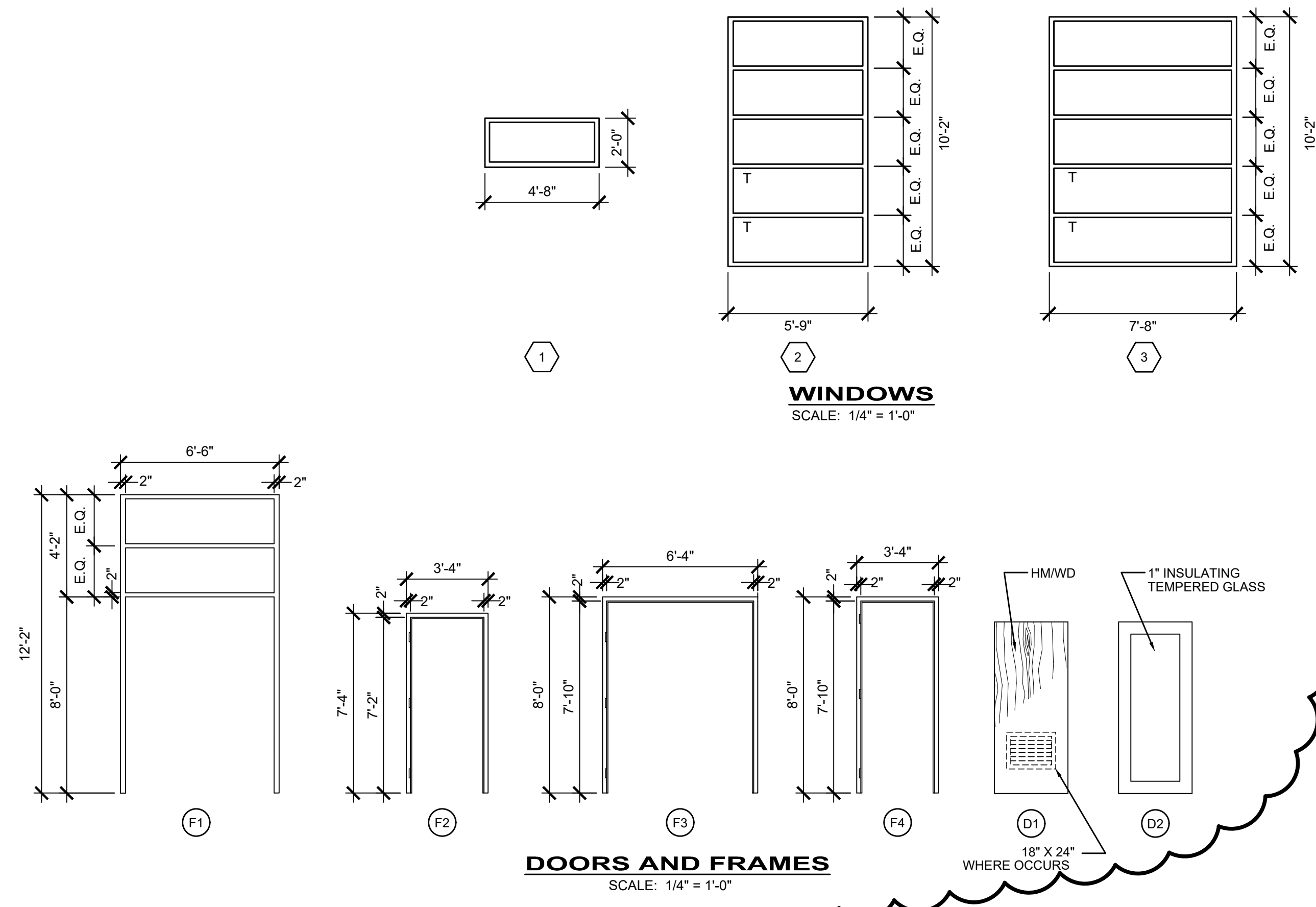
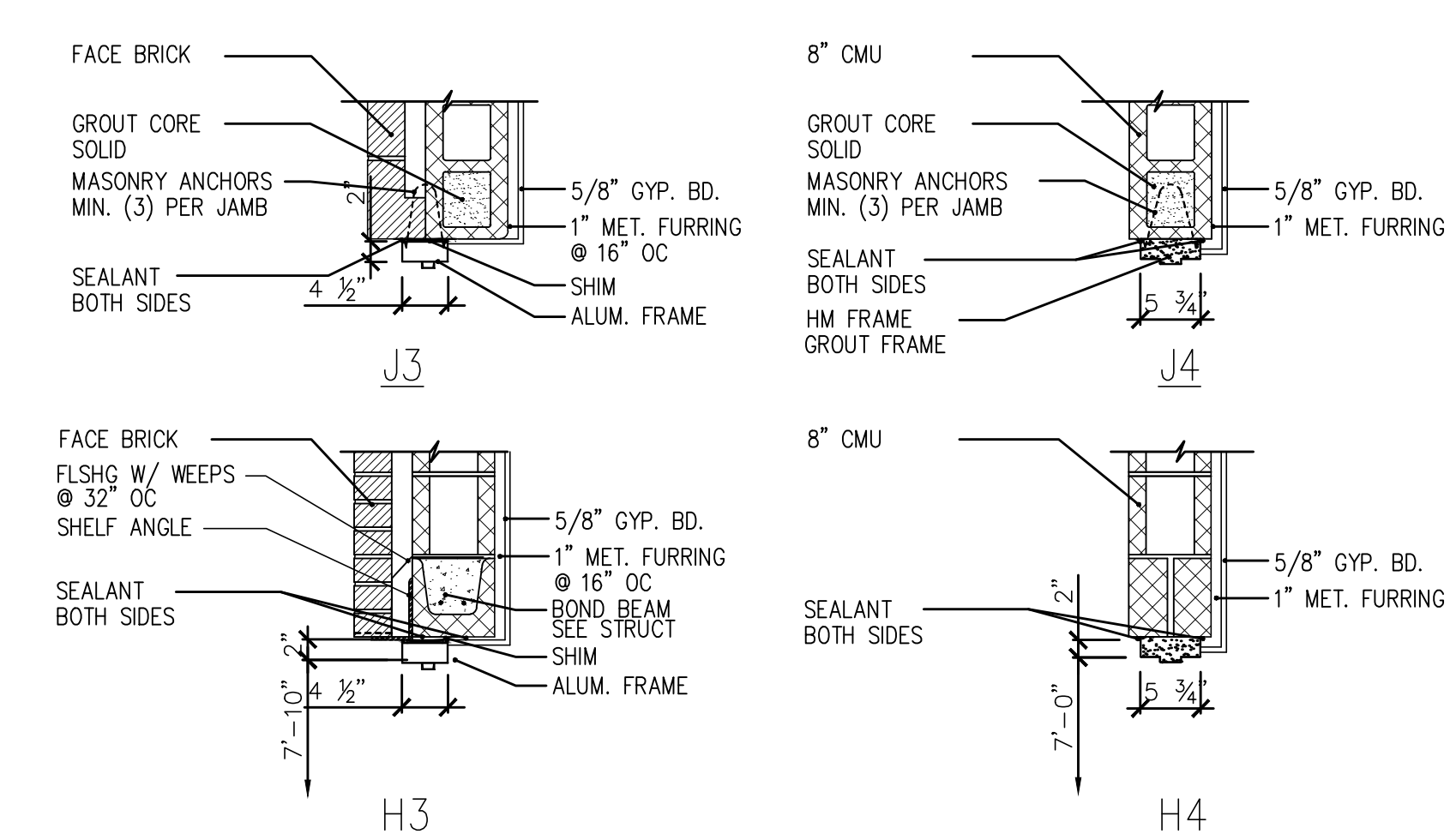
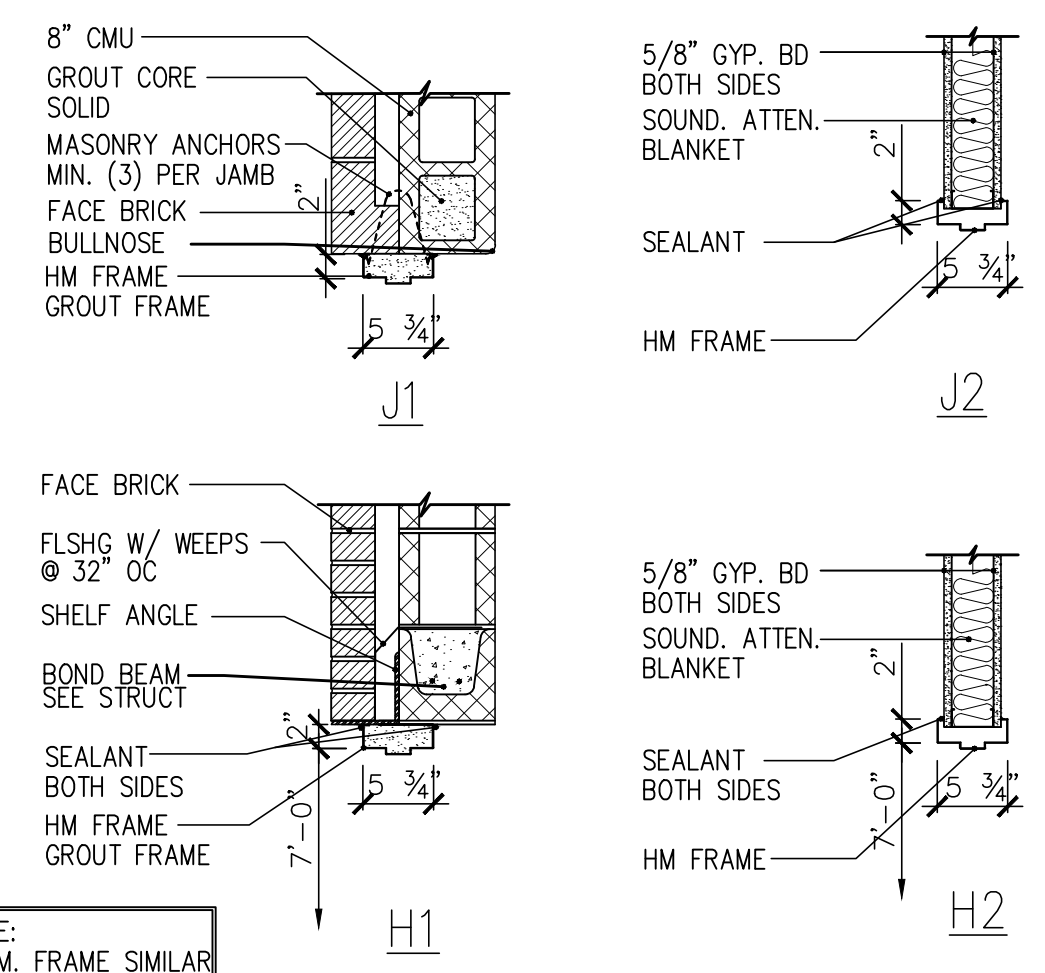
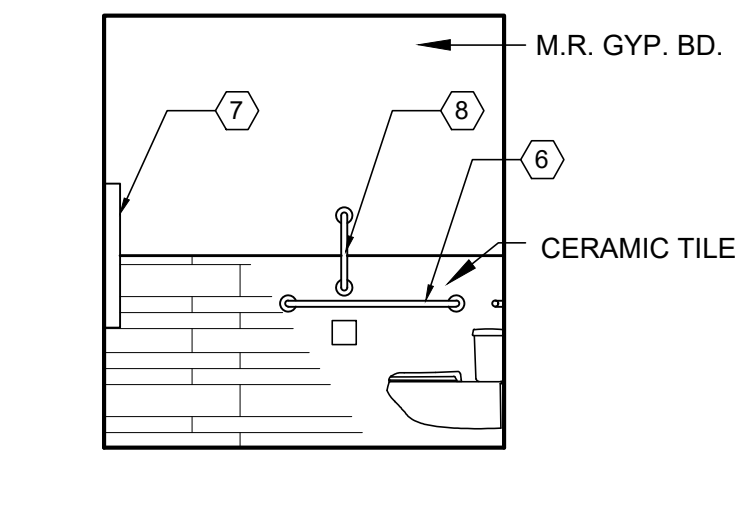
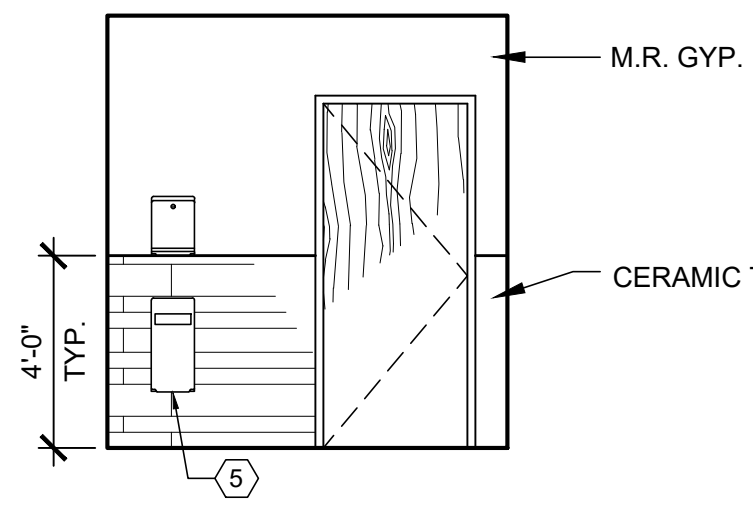
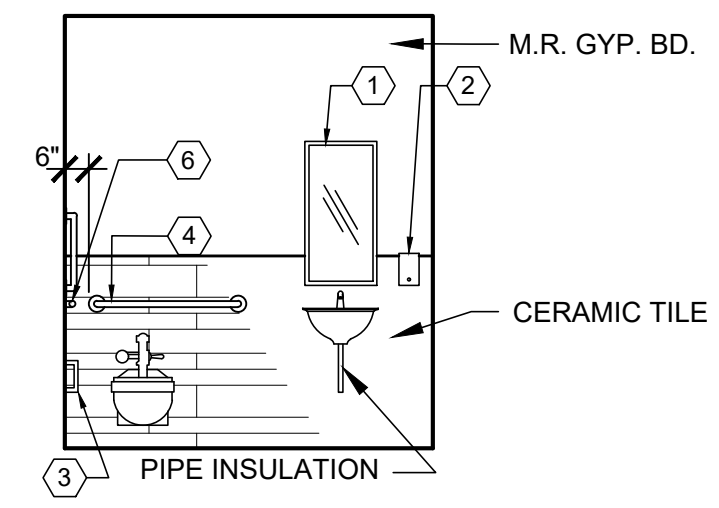
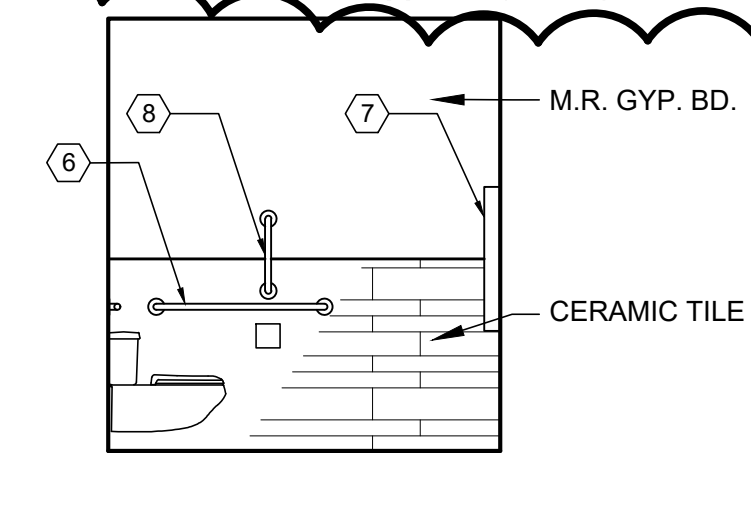
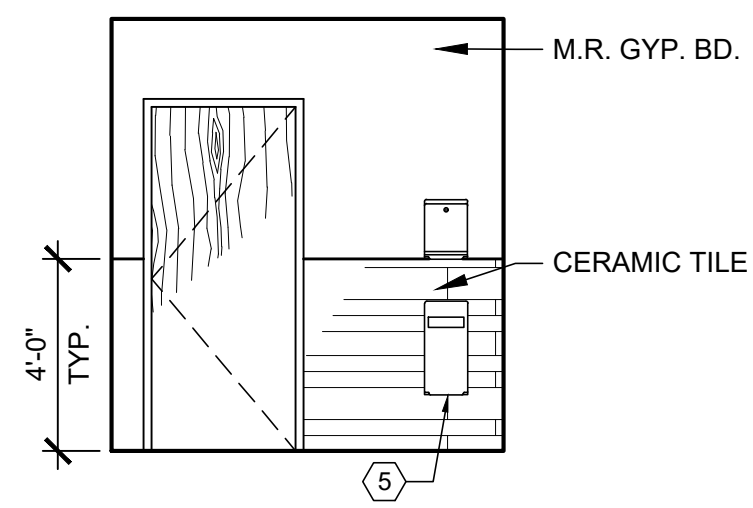
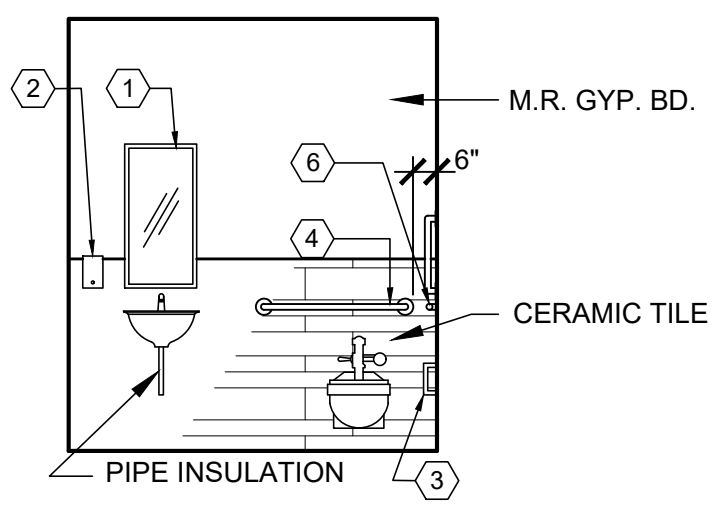
FLOOR	BASE	WALLS	CEILING
F1	SEALED CONCRETE	B1 CERAMIC TILE	CT CERAMIC TILE
F2	CERAMIC TILE	CT CERAMIC TILE	C1 EXPOSED CEILING (PNT)
		ST STOREFRONT	C2 GYP BD (PAINTED)
		PT1 PAINTED GYP. BD.	C3 S.A.C.
		PT2 PAINTED CMU	



DOOR SCHEDULE

OPENING NUMBER	DOOR				THICKNESS	FRAME				REMARKS
	MATERIAL	TYPE	WIDTH	HEIGHT		MATERIAL	TYPE	HEAD	JAMB	
LAKETRAN TRANSFER CENTER										
01A	AL	D2	(2) 36"	96"	1-3/4"	AL	F1	-	-	6
01B	AL	D2	(2) 36"	96"	1-3/4"	AL	F1	-	-	6
02A	WD	D1	36"	86"	1-3/4"	HM	F2	H4	J4	3
02B	HM	D1	(2) 36"	94"	1-3/4"	HM	F3	H1	J1	2
03	HM	D1	36"	86"	1-3/4"	HM	F2	H2	J2	1
04	WD	D1	36"	86"	1-3/4"	HM	F2	H2	J2	1
05	WD	D1	36"	86"	1-3/4"	HM	F2	H2	J2	1
06	AL	D2	36"	94"	1-3/4"	AL	F4	H3	J3	4
07	WD	D1	36"	86"	1-3/4"	HM	F2	H2	J2	5
08	WD	D1	36"	86"	1-3/4"	HM	F2	H2	J2	5
09	HM	D1	36"	86"	1-3/4"	HM	F2	H1*	J1*	1

*SIMILAR; 18" X 24" LOUVER.



DATE	REVISION	NO	CD	ISSUED FOR	ISSUE DATE	SCALE	DESIGNED BY	DRAWN BY	CHECKED BY
8/05/2019				AS SHOWN			ADT	ADT	ADT

LAKELAND TRANSFER CENTER
 LAKELAND COMMUNITY COLLEGE
 7601 CLOCKTOWER DR., KIRTLAND, OH 44094

INTERIOR ELEVATIONS & SCHEDULES

PROJECT NO.	18050002
DISCIPLINE	ARCH
SHEET NAME	A-06
SHEET	35
OF	55