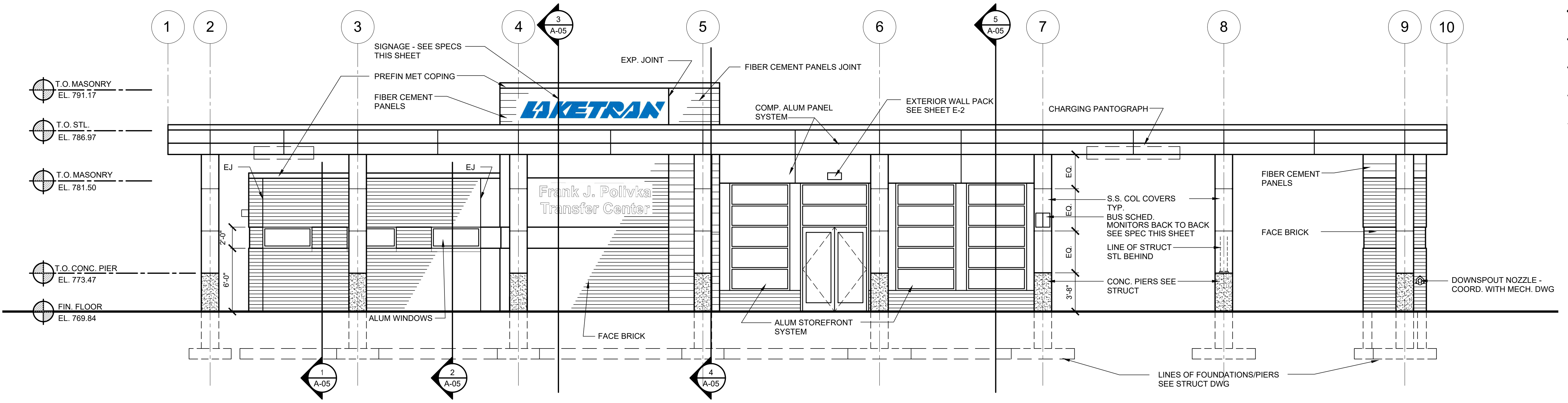


NO	REVISION	DATE
1	REBID REVISION	8/05/2019

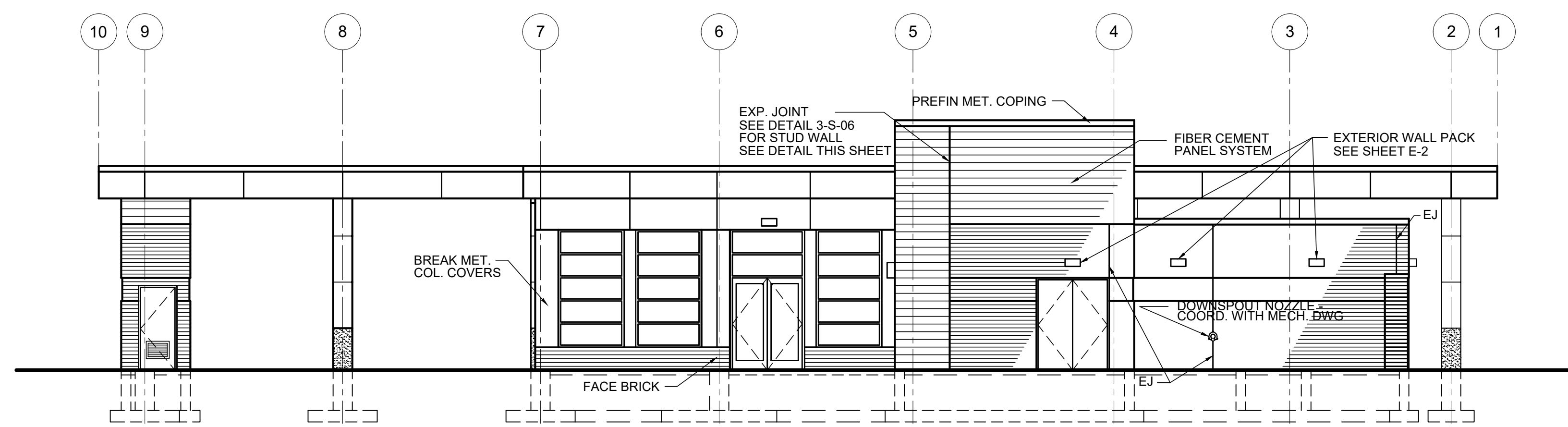
**LAKELAND TRANSFER CENTER**  
 LAKELAND COMMUNITY COLLEGE  
 7601 CLOCKTOWER DR., KIRTLAND, OH 44094

**ARCHITECTURAL ELEVATIONS & SIGNAGE**

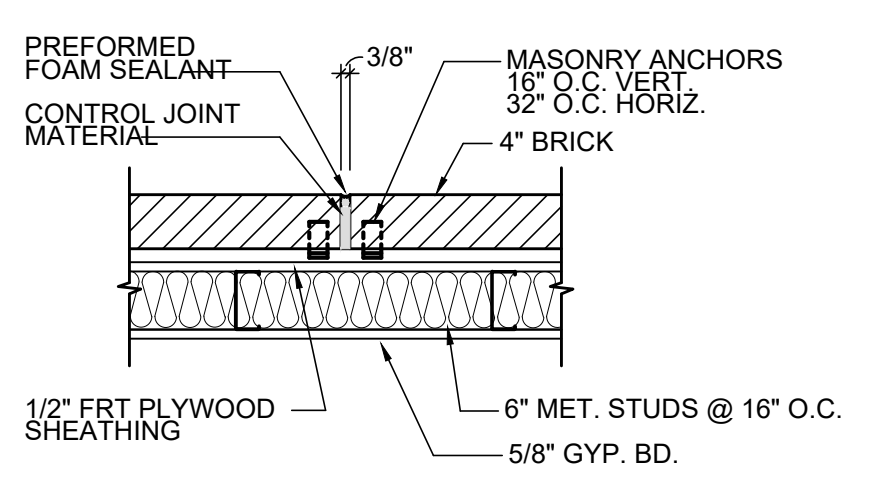
PROJECT NO.	18050002
DISCIPLINE	ARCH
SHEET NAME	A-03
SHEET	32
OF	55



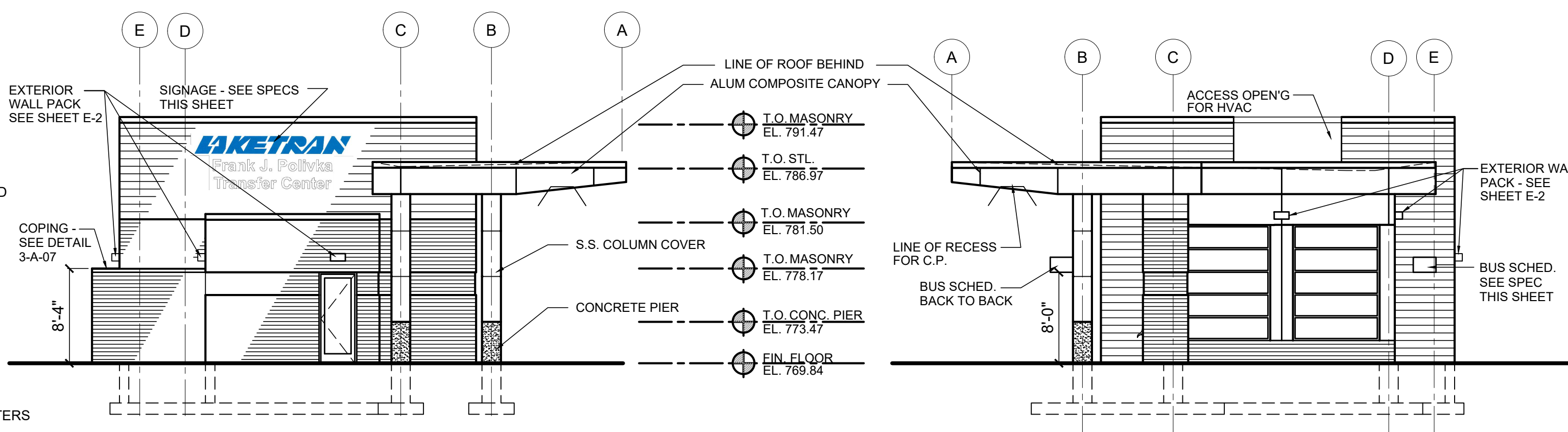
**SOUTH ELEVATION**  
 SCALE: 3/16" = 1'-0"



**NORTH ELEVATION**  
 SCALE: 1/8" = 1'-0"



**STUD-MAS. CONTROL JOINT DETAIL**  
 SCALE: 1" = 1'-0"



**WEST ELEVATION**  
 SCALE: 1/8" = 1'-0"

**EAST ELEVATION**  
 SCALE: 1/8" = 1'-0"

**BUS SCHEDULE MONITORS SPEC (TYP. OF 4)**  
 BUS SCHEDULE MONITORS AS MFG BY FLEETWATCH SIGNS.COM OR APPROVED EQUAL  
 LOW POWER FULL MATRIX LED SIGNS  
 SCROLLING ROUTE DESCRIPTION  
 24 X 2 CHARACTER DISPLAYS  
 SECURITY KEYED LATCHES  
 PRINTED LEXAN PANEL  
 FULL COLOR WITH GRAPHICS, LOGOS, PHOTOS, ETC.  
 ADVERTISING PANELS, SPEAKER  
 ADA BUTTON ON INTERIOR  
 QUICK CHANGE CLEAR PROTECTIVE OVERLAY PANEL  
 HARD WIRED, SHELTER MOUNTED, W/ WI-FI NETWORK CAPABLE

**"LAKETRAN" FACE & HALO LIT CHANNEL LETTERS**  
 3/16" 7328 WHITE ACRYLIC FACES W/ BLUE TRANSLUCENT VINYL OVERLAY  
 1" WHITE TRIM CAP  
 5" X 0.04" WHITE ALUM. RETURNS  
 INTERNALLY ILLUMINATED W/ 6500 WHITE 12V LED'S  
 CLEAR LEXAN BACK FOR HALO LIGHTING EFFECT  
 MOUNTED 1.5" FROM BUILDING SURFACE ON SPACERS

**"FRANK...CENTER" FACE & HALO LIT CHANNEL LETTERS**  
 3/16" 7328 WHITE ACRYLIC FACES  
 1" BLACK TRIM CAP  
 5" X 0.04" BLACK ALUM. RETURNS  
 INTERNALLY ILLUMINATED W/ 6500 WHITE 12V LED'S  
 CLEAR LEXAN BACK FOR HALO LIGHTING EFFECT  
 MOUNTED 1.5" FROM BUILDING SURFACE ON SPACERS



**FACE & HALO LIT CHANNEL LETTERS**  
 SCALE: 1/2" = 1'-0"

