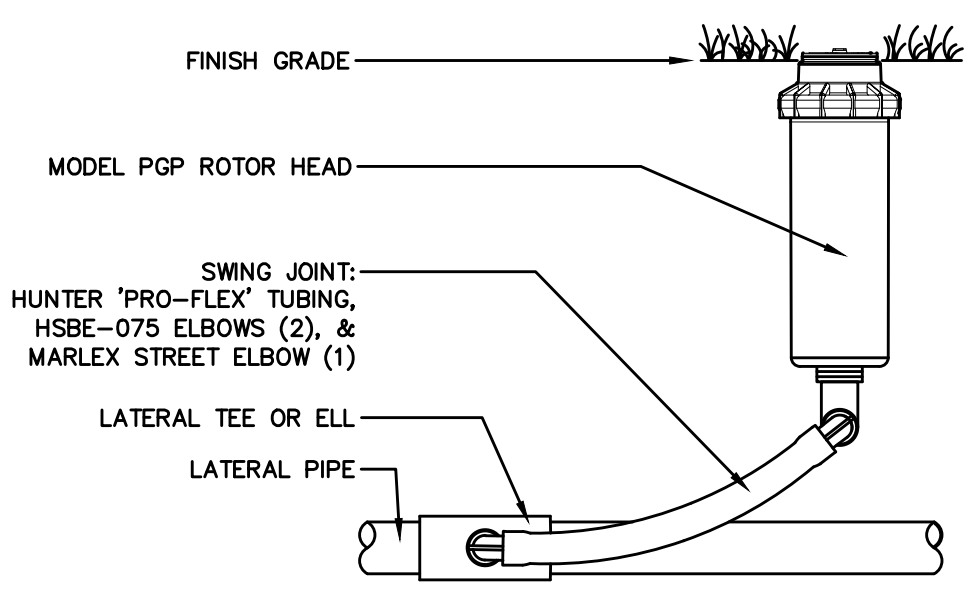


*When using larger GPM nozzles, beware of high friction loss in swing joints.

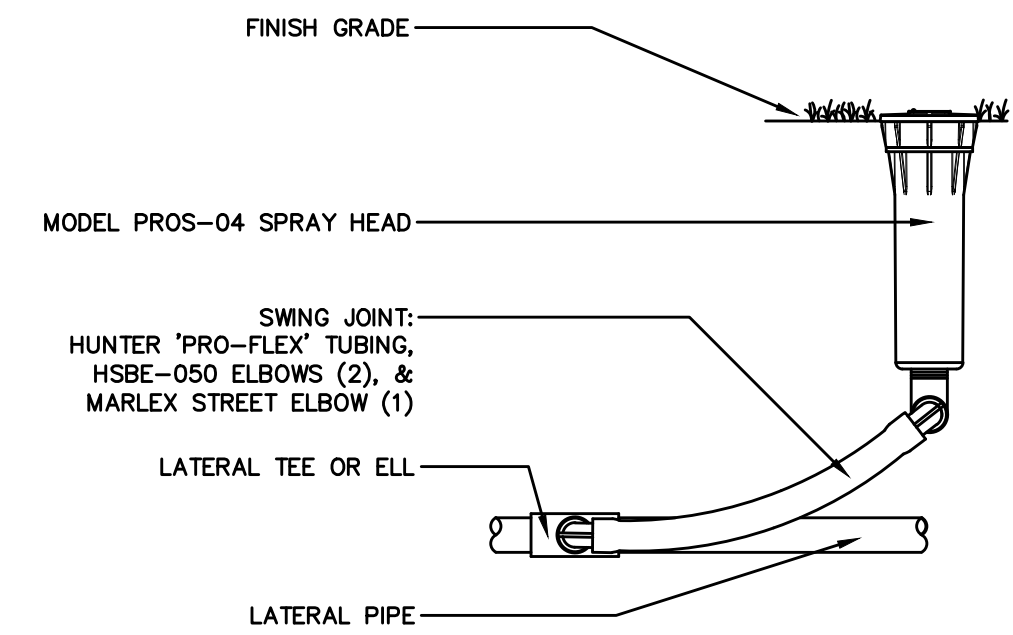
1-800-347-4272
<http://www.projects-services.siteone.com>
 650 Stephenson Highway
 Troy, Michigan 48083
 Phone 248.588.2100
 Fax 248.588.3528
 www.Siteone.com
 800.347.4272
 Project Services Number:186492
 Lakeland Community College Transfer Station
 Kirtland, OH, 44094
 Design Date: 05/08/19
 Drawn By: DK
 Checked By: C. GRAHAM
 Revision Date: 05/29/19

your trusted advisor
consultants
 engineers
 architects
 planners

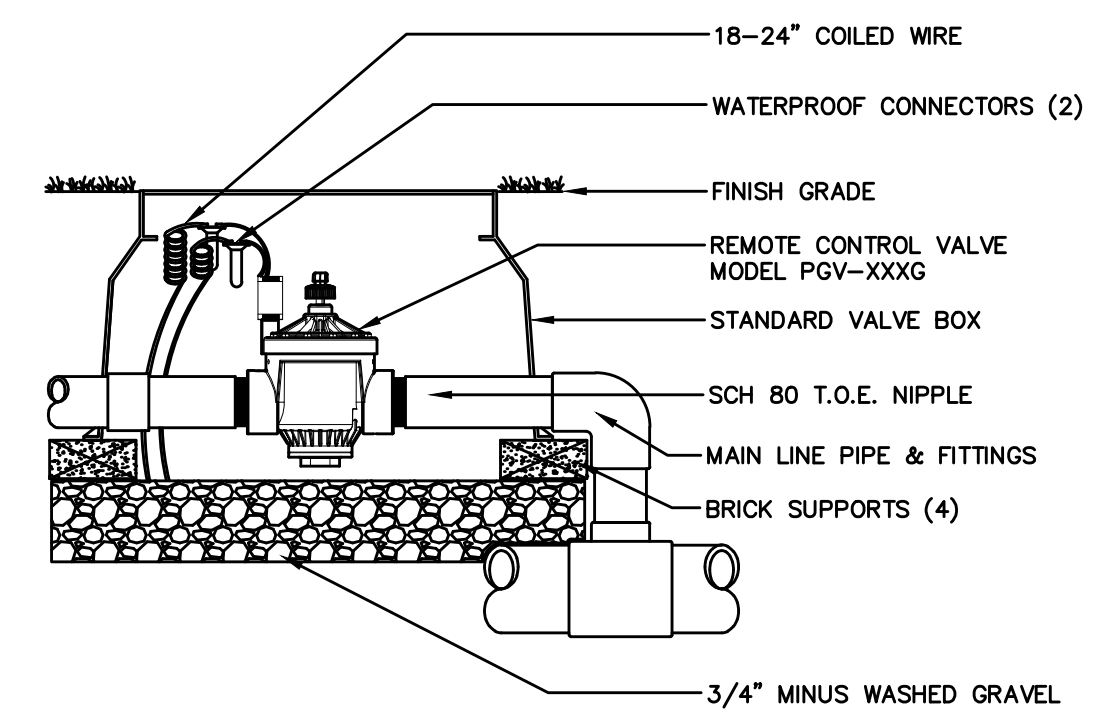


OPTIONS:
 R = FACTORY INSTALLED RECLAIMED RUBBER COVER
 CV = FACTORY INSTALLED DRAIN CHECK VALVE

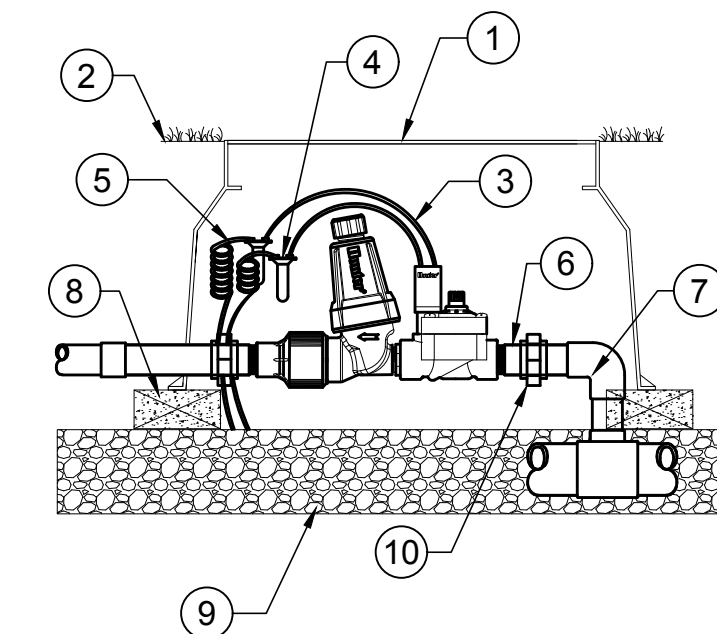
1 PGP ROTOR HEAD WITH PRO-FLEX TUBING
 N.T.S.



2 PROS-04 SPRAY HEAD WITH PRO-FLEX TUBING
 N.T.S. FX-IR-HUNT-SPRA-20

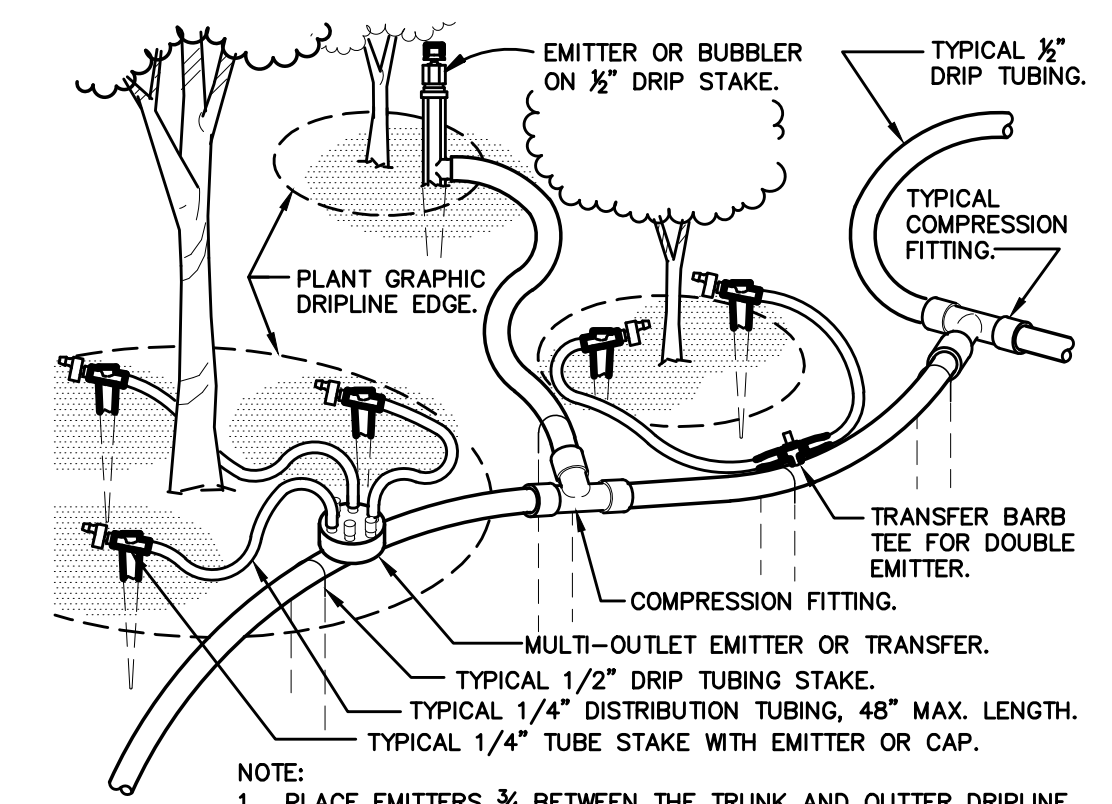


3 PGV GLOBE VALVE
 N.T.S. FX-IR-HUNT-VALV-11



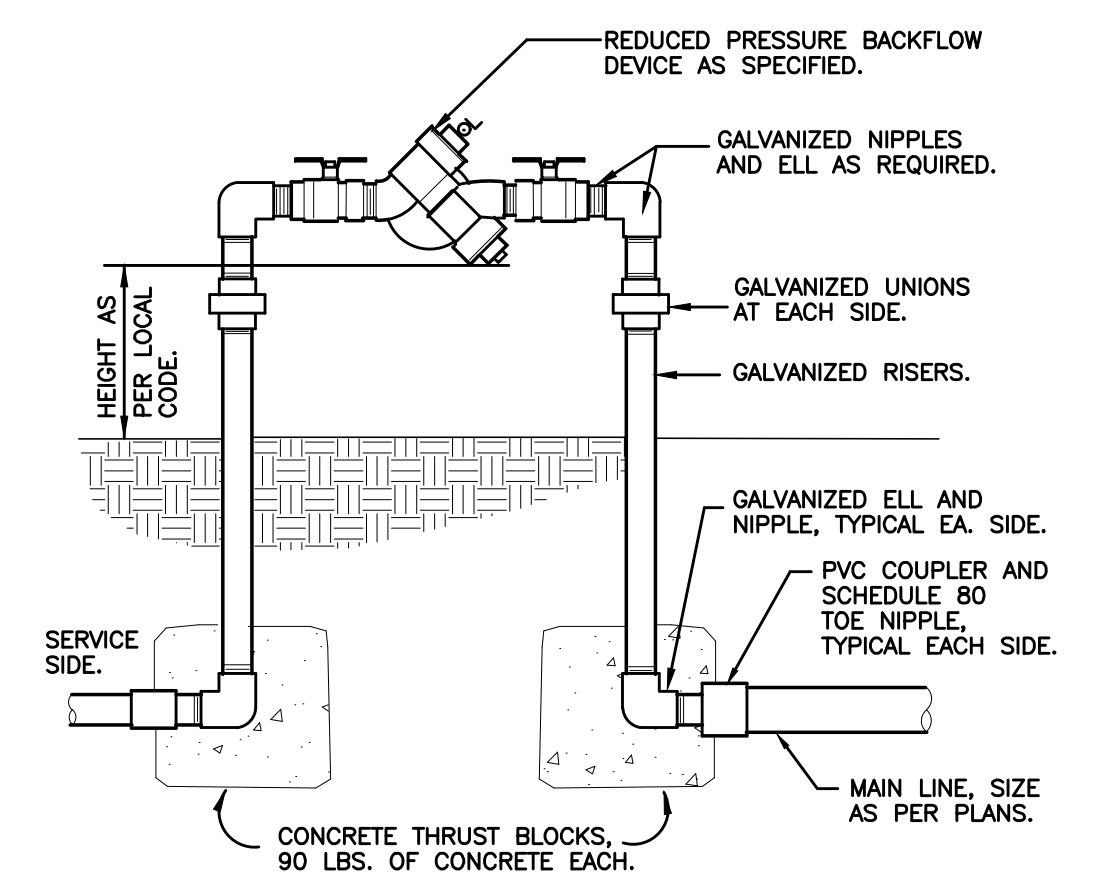
- 1 STANDARD VALVE BOX
- 2 FINISH GRADE
- 3 DRIP ZONE KIT: MODEL PCZ-101-1 FILTER, REGULATOR 25 OR 40 PSI
- 4 WATERPROOF CONNECTORS (2)
- 5 18-24\"/>

4 PCZ-101-1 DRIP ZONE KIT
 N.T.S. FX-IR-HUNT-DRIP-07

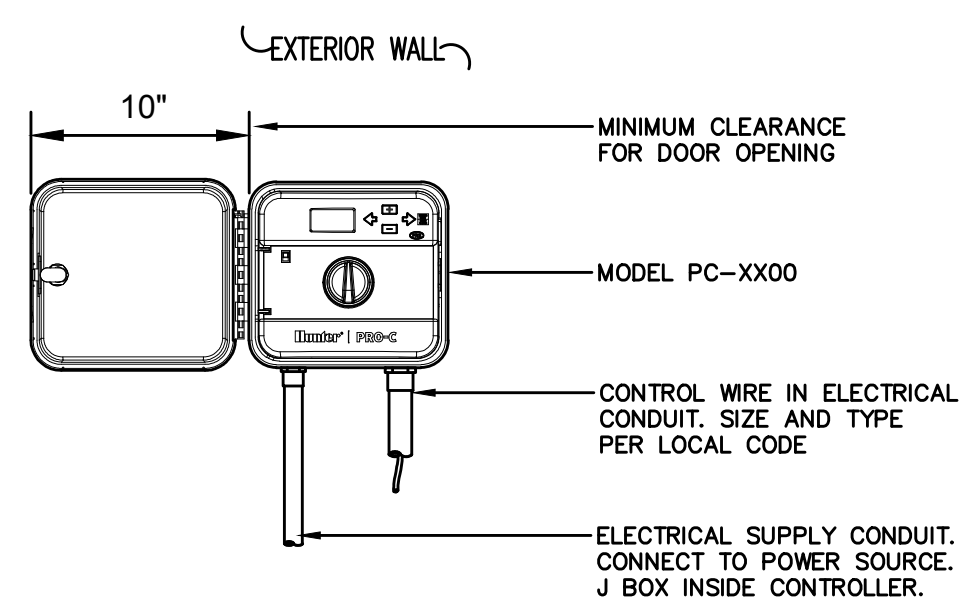


NOTE:
 1. PLACE EMITTERS 3/4\"/>

5 TYPICAL DRIP TUBING
 N.T.S. FX-IR-FX-DRIP-01

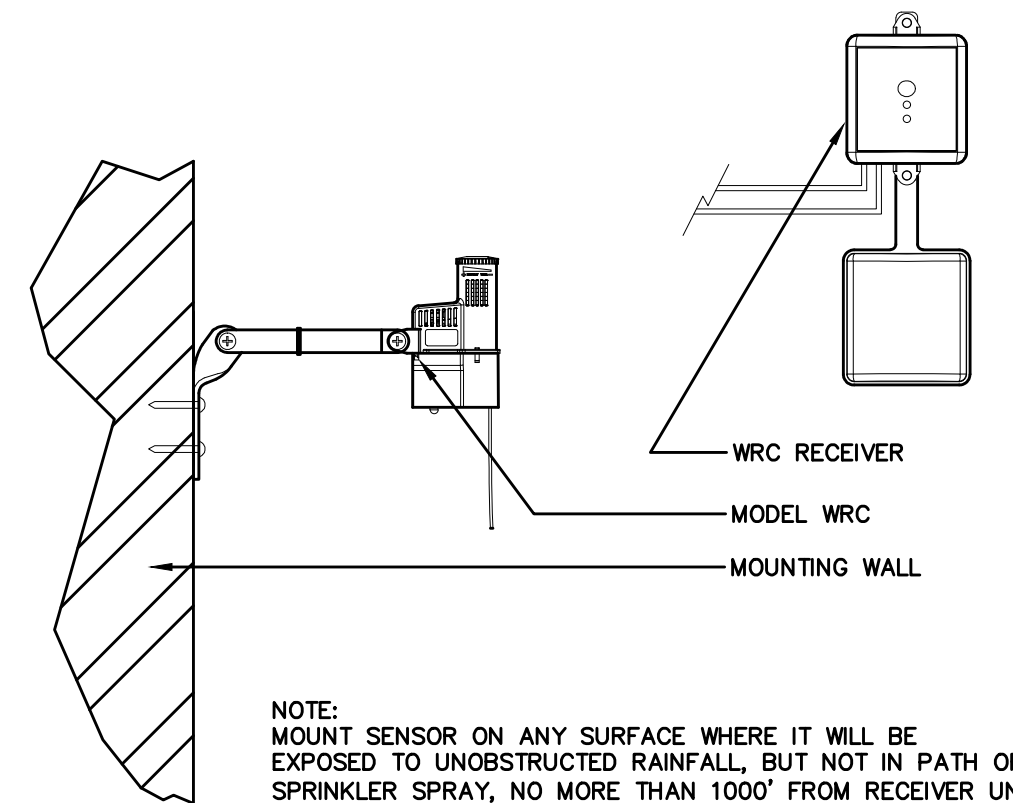


6 REDUCED PRESSURE BACKFLOW DEVICE
 N.T.S. FX-IR-FX-BACK-03



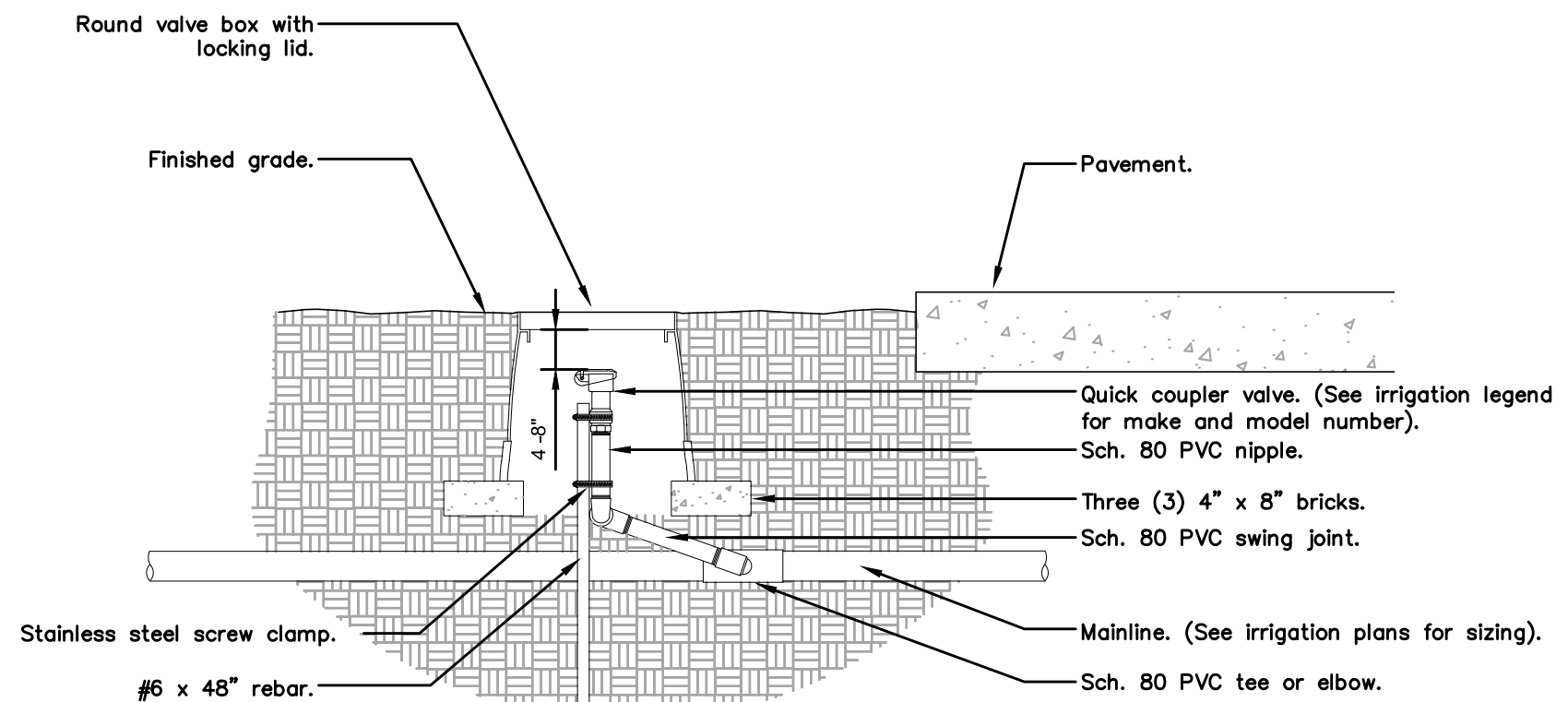
NOTE
 SPECIFY 4, 7, 10, 13, 16 STATION MODEL CONTROLLER. MOUNT CONTROLLER WITH LOD SCREEN AT EYE LEVEL. CONTROLLER SHALL BE HARD-WIRED TO GROUNDED 110 VAC SOURCE.

7 PRO-C CONTROLLER
 N.T.S. FX-IR-HUNT-CONT-25



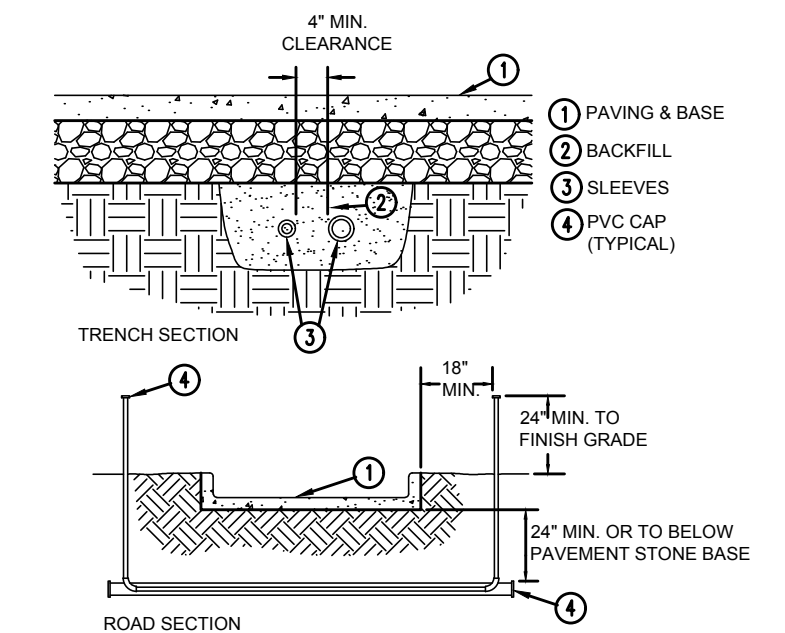
NOTE:
 MOUNT SENSOR ON ANY SURFACE WHERE IT WILL BE EXPOSED TO UNOBSTRUCTED RAINFALL, BUT NOT IN PATH OF SPRINKLER SPRAY, NO MORE THAN 1000' FROM RECEIVER UNIT. MOUNT RECEIVER UNIT NO FURTHER THAN 6' FROM CONTROLLER.

8 WIRELESS RAIN-CLICK
 N.T.S. FX-IR-HUNT-SENS-17



Notes:
 1- All threaded connections shall be installed using teflon tape.
 2- Valve box shall be wrapped with a minimum 3 mil thick plastic and secured to the valve box using duct tape or electrical tape.
 3- All quick couplers shall be installed a minimum of 18\"/>

9 QUICK COUPLER VALVE
 N.T.S. FX-IR-FX-QUIC-01



NOTES:
 1. ALL PVC IRRIGATION SLEEVES TO BE CLASS 200 PIPE
 2. ALL JOINTS TO BE SOLVENT WELDED AND WATERTIGHT.
 3. WHERE THERE IS MORE THAN ONE SLEEVE, EXTEND THE SMALLER SLEEVE TO 24-INCHES MINIMUM ABOVE FINISH GRADE OR MARK LOCATION WITH 24\"/>

10 SLEEVING
 N.T.S.

DATE	REVISION	NO	CD	ISSUED FOR:	ISSUE DATE:	SCALE:	DESIGNED BY:	DRAWN BY:	CHECKED BY:
			5/30/19	AS SHOWN	RS	RS	CC		

LAKELAND TRANSFER CENTER
LAKELAND COMMUNITY COLLEGE
 7601 CLOCKTOWER DR., KIRTLAND, OH 44094
IRRIGATION DETAILS

PROJECT NO.	18050002
DISCIPLINE	LANDSCAPE
SHEET NAME	IR-2
SHEET	OF
29	55