

To: All Plan Holders of Record

From: CT Consultants, Inc.
For the Owner

Re: *Addendum No. 1*
Geauga Propane and Fueling Infrastructure
Geauga Transit (LAKETRAN)

Date: August 2, 2024

This Addendum forms a part of the contract documents and modifies the original bidding documents dated July 2024 and all previous addenda, if any. Acknowledge receipt of this addendum in the space provided in the bid forms. Failure to do so may subject the bidder to disqualification.

OPINION OF PROBABLE CONSTRUCTION COST

The Opinion of Probable Construction Cost for the Alternate as published in the Legal Notice shall be changed from \$190,000.00 to \$210,000.00.

The ITEM TOTAL for the Alternate is the amount to be deducted from the BASE BID if one (1) single 1,990-gallon Propane Tank is to be installed. Everything else remains the same for the BASE BID and the ALTERNATE. The INFORMAL TOTAL BASE BID AND ALTERNATE should equal the BASE BID minus the DEDUCTED amount of the ALTERNATE.

QUESTIONS AND ANSWERS

Q. Just confirming if the selected contractor will be the one who needs to provide the propane tank with the pump, tank skid package & dispenser?

A. Yes, the contractor shall provide and install two 1,990-gallon propane tanks, utilizing one (1) pump, manifolded together for the BASE BID. For the ALTERNATE, the contractor shall provide one 1,990-gallon propane tank.

BID DOCUMENTS

Replace Prices to Include, Pages BD.1 to BD.5, with the enclosed Prices to Include, Pages BD.1A to BD.5A.

Addendum No. 1
Date: August 2, 2024
Page 2

BID FORMS

Replace Bid Form, Page ATTACHMENT A1 with the enclosed Bid Form, ATTACHMENT A1A.

Ref. No. 5 quantity has increased from 66 FT to 69 FT. Ref. No. 7 has changed from one (1) - 6' Height Sliding Gate to two (2) standard single 4' Height Gates.

PLANS

Replace plan sheet 4/7 with the enclosed plan sheet 4/7.

Replace plan sheet 6/7 with the enclosed plan sheet 6/7.

PREVAILING WAGES

Section 4, Davis Bacon Federal Wage Requirement - **Replace** the Wage Rate Schedule with the following:

Heavy and Highway – Decision No. OH20240001, Modification No. 5, dated 07/26/2024

Bidders shall utilize this revised decision when compiling their Bid.

GS:mep

Enclosures

H:\2024\241176\SPEC - REBID\Addenda\Addendum 01\Addendum 01.Doc

PRICES TO INCLUDE

PART 1 - GENERAL

Any work shown on the plans or required in the specifications but not paid for separately as a bid item shall be included in the cost of other bid items. The amount bid for each Bid Item shall include the following:

- 1.1 All labor, materials, tools, equipment, and transportation necessary for the proper execution of the work in accordance with the Contract Documents.
- 1.2 All assistance required by the Engineer to verify compliance with the Contract Documents, including measuring for final pay quantities.
- 1.3 Project coordination and scheduling.
- 1.4 Detailed breakdown of lump sum bid items as requested by the Engineer.
- 1.5 All provisions necessary to protect workmen, the general public, and property along the work in accordance with the Contract Documents.
- 1.6 Protection and/or replacement of existing property corner monuments.
- 1.7 Record drawings of the installed location of all underground electrical conduit, sewers, tees, wyes, laterals, etc.
- 1.8 Reimbursement to Owner for costs of re-inspection or re-testing of any work not installed in compliance with the Contract Documents.
- 1.9 All new Portland cement concrete pavement, curb, drives, sidewalks, and ramps shall be sealed with SINAK S-102 in accordance with Section 321313.33, Portland Cement Concrete Sealing. The concrete shall be cured immediately after placement with a self-degrading curing compound such as WZ Strip™ Cure DR, Water Based Resin, or equal. All exposed areas to be treated shall be broomed and high pressure washed prior to application of the penetrating sealer.
- 1.10 All concrete utilized on this project: 1) All aggregate shall meet the requirements of ODOT 730.02, Loss, sodium sulfate soundness test, 12% maximum; 2) If #57 or #67 size coarse aggregate is used, it shall be tested in accordance with ASTM C 666, Procedure B, and meet the requirements of ODOT 703.13. copies of actual test reports and manufacturers certifications are required and shall be no more than 6 months old to time of submittal; 3) Class C concrete – Options 1, 2, and 3 will not be allowed; 4) All surfaces shall be sealed with an approved cure and seal, not standard ODOT curing compound.
- 1.11 Providing and implementing the Quality Control Plan in accordance with Specification Section 013319.
- 1.12 Construction staking of improvements and layout and survey.
- 1.13 Dumpsters / trash and debris removal from site. Maintenance of traffic.

PART 2 - ITEMS

All work proposed by this contract shall be quantified and paid for in accordance with the pertinent ODOT specification except as specifically altered by other provisions of this contract.

2.1 BONDS AND INSURANCES, AS PER PLAN

Basis of Payment

A "Bonds and Insurances" item (including "Owner/Contractor Protective Policy," "All Risk Builder's Risk Insurance," and/or "Installation Floater Insurance", **and/or endorsements to fully comply with all contract requirements**) has been included in the bid proposal.

2.2 CONCRETE PAVEMENT, PADS AND WALKS, AS PER PLAN

The work, method of construction and materials for concrete pavement, pads, walks, concrete curb ramps and concrete pavement for drives shall conform to ODOT Items 608, 452, 255, 304, 203 and 202, except as modified herein or as shown on the contract drawings.

- A. There will be no separate measurement or payment for removal and disposal of existing soil, walk or concrete drives or subbase, crushed limestone base, and subgrade compaction. These items of work shall be included in the furnishing and installation of new pads and walks or curb ramps or concrete pavement for drives.
- B. There will be no additional compensation for providing a thickened edge and/or integral curb, as detailed.
- C. ODOT Item 499 Concrete, Class QC1 shall be used for walks and curb ramps.
- D. Each and every sidewalk, drive slab and joint shall be edge tooled after texturing surface.
- E. ODOT 304 Aggregate Base, utilizing crushed limestone, shall be provided with these items.
- F. Saw cuts shall be made to the full depth of the existing concrete pavement and be considered an incidental cost to be included with the bid item.
- G. Concrete replacement thickness shall not be less than the existing thickness.
- H. The unit price shall include hook bolt installation and the application of joint sealant.

Method of Measurement

The quantity to be paid of concrete pavement, pads, walk, concrete curb ramps to the thickness and class of concrete specified shall be the actual square dimension, square feet or square yards as indicated in the Proposal of finished surface complete in place.

Basis of Payment

The unit price stipulated per square foot or square yards (as indicated in the Proposal) for concrete pavement, pads, walk, concrete curb ramp of the thickness and class of concrete

specified shall be full compensation for furnishing all materials, grading, forming, finishing of the pad, walk, curb ramp and pavement including removal and disposal of existing grass, sod, topsoil, bushes, trees, walk or pavement and curbs, necessary pavement saw cutting, clearing and grubbing, excavation and/or backfill to required line and grade, subgrade compaction as required, furnishing and installing subbase or base material, integral curbing, adjustment of water/gas service valves, concrete, curing compound, and expansion joint material; hook bolts, joint sealant, wire and/or mesh reinforcing as required; furnishing of all labor, tools, materials and equipment necessary to complete the work as specified or as shown.

2.3 SITE ELECTRICAL, PRIMARY POWER AND COMMUNICATIONS SYSTEMS

Basis of Payment

The lump sum price stipulated for Site Electrical, Primary Power and Communications Systems shall be full compensation to install all aspects of the site system. The unit price shall include all required wiring controllers, cabinets, GFI receptacle wiring, fused and non-fused connectors, circuit conductors, ground rods, foundations, trenching and conduit, conduit jacked or drilled and pullboxes, poles, fixtures and incidentals for a complete and operational installation, including the furnishing of all labor, materials, tools and appurtenances necessary to complete the work as specified or as shown. The Contractor shall complete field installations, connections and testing of each system.

2.4 GUARDRAIL, AS PER PLAN

The work, method of construction and materials for guardrail items shall be in accordance with ODOT Item 606 with the following modifications and as specified on the improvement plans.

Basis of Payment

The unit price stipulated per lineal foot for guardrail, as per plan, shall also include guardrail steel posts, spacer blocks, hardware, concrete, end treatments, and any appurtenances necessary to complete the work as specified or as shown.

2.5 CHAIN LINK FENCE, AS PER PLAN

The work, method of construction and materials for fence items shall be in accordance with ODOT Item 607 with the following modifications and as shown on the improvement plans and specifications.

Method of Measurement

The measurement of chain link fence of the size and type specified shall be the actual number of lineal feet measured along the top of the fence from outside to outside of end posts exclusive gates and other openings, complete in place.

Basis of Payment

The unit price bid shall include full compensation for furnishing and placing all materials including posts, fabric, clips, bands, caps, hardware, concrete, and any appurtenances necessary to complete

the work as specified or as shown.

2.6 GATE, CHAIN LINK, (GALVANIZED), SINGLE, AS PER PLAN

The work, method of construction and materials for fence items shall be in accordance with ODOT Item 607 with the following modifications and as shown on the improvement plans and specifications.

Basis of Payment

The unit price, each, stipulated for the standard 4 foot wide gate, shall include full compensation for furnishing of all labor, tools, materials and equipment to install all items including posts, fencing, bolsters, hardware, concrete, and any appurtenances necessary to complete the work as specified or as shown.

2.7 MOBILIZATION

Basis of Payment

The lump sum (LS) price shall include all labor to transfer all equipment, materials, personnel, storage area, sanitary facilities and incidentals to the project site as required to complete the project per the plans and specifications.

2.8 LAWN RESTORATION INCLUDING LINEAL GRADING AND TOPSOIL, AS PER PLAN

The work, method of construction and materials for lawn restoration shall be in accordance with Section 329200.19 with the following modifications:

- A. There will be no separated measurement or payment for furnishing and placing the required 4-inch topsoil bed.
- B. Cost to prepare the subgrade to receive the 4-inch topsoil bed including any necessary excavation or embankment to bring the subgrade to the lines indicated on the plans and parallel to the proposed finished grade shall be included in this bid item.
- C. The cost to furnish and place sphagnum peat moss at the rate specified and mix into the topsoil shall be included in this bid item.
- D. Restoration within the contract pay limits will be paid as directed by the Engineer on a one-time basis. Subsequent repairs of previously repaired seeded areas, repair of areas outside the contract pay limits and repairs to areas not planted within the designated spring or fall sowing season shall be at the Contractor's expense.

Basis of Payment

The lump sum price stipulated for lawn restoration of all disturbed and damaged lawn areas shall be full compensation for excavation and/or embankment of all areas to be restored to a depth necessary for placing topsoil to the grades shown or directed by the Engineer; removal and disposal of excess and unsuitable materials; preparation of the subgrade for topsoil;

furnishing, placing, spreading and rolling topsoil; preparing the topsoil bed for sowing of seed; furnishing and placing soil amendments, fertilizer, peat moss and seed; maintaining lawn by watering, fertilizing, weeding, mowing, trimming and other operations as rolling, regrading and replanting as required to establish an acceptable standard of growth; and restore damaged lawn landscape features; and the furnishing of all labor, material, tools, materials and appliances necessary to complete the work as specified or as shown.

2.9 PROPANE TANK SYSTEM AND DISPENSER, AS PER PLAN

The work, method of construction and materials for fuel tank systems shall be in accordance with detailed plans and specifications. Price shall also include the coordination of power service installation and connection to existing fuel management system.

Basis of Payment

The lump sum for each propane tank system shall be full compensation for all piping, pumps, dispensers, fill stations, installation of propane: two (2) new tanks, connection of existing fuel management system, electrical, and shall include all costs for labor, materials, tools and appurtenances necessary to complete the work as specified.

2.10 TEMPORARY SEDIMENT AND EROSION CONTROL

The lump sum price bid for temporary sediment and erosion control shall include any and all labor, equipment and materials, including but not limited to, inlet protection, silt fence, straw bales, silt soxx, check dams, sediment traps, ponds, concrete washout, daily street sweeping, dust control, and temporary seeding to provide erosion control commensurate with the Contractor's plans, means, methods, work schedule, and in accordance with plan details and specifications.

2.11 CONTINGENCY/DISCRETIONARY ALLOWANCE

A Contingency/Discretionary Allowance has been included in the Bid Proposal to be utilized as directed by the Engineer for unscheduled work items not included on the proposal forms or other changes in the work. The contingency allowance or portions thereof shall only be released upon execution of approved Change Orders or as approved by the Engineer. Any portion of the allowance not utilized shall be credited to the Owner.

ATTACHMENT A1A - PRICING FORM

**Proposal to Laketran
For Geauga Propane and Fueling Infrastructure
REBID
Project No. 241176**

REF. NO.	DESCRIPTION	QTY.	MEASURE UNITS	UNIT PRICE LABOR	UNIT PRICE MATERIAL	TOTAL UNIT PRICE	ITEM TOTAL
1	(SPC) BONDS AND INSURANCES, AS PER PLAN	1.00	LS	\$	\$	\$	\$
2	(253) PAVEMENT REPAIR, AS PER PLAN	8.00	SY	\$	\$	\$	\$
3	(452) 8 INCH NON-REINFORCED CONCRETE PAVEMENT, CLASS QC1, AS PER PLAN	102.00	SY	\$	\$	\$	\$
4	(SPC) SITE ELECTRICAL - PRIMARY POWER AND COMMUNICATIONS	1.00	LS	\$	\$	\$	\$
5	(606) GUARDRAIL, AS PER PLAN	69.00	FT	\$	\$	\$	\$
6	(607) FENCE, CHAIN LINK, GALVANIZED, 6' HEIGHT, AS PER PLAN	100.00	FT	\$	\$	\$	\$
7	(607) GATE, CHAIN LINK, GALVANIZED, SINGLE, AS PER PLAN	2.00	EACH	\$	\$	\$	\$
8	(624) MOBILIZATION	1.00	LS	\$	\$	\$	\$
9	(SPC) LAWN RESTORATION INCL. LINEAL GRADING & TOPSOIL, AS PER PLAN	1.00	LS	\$	\$	\$	\$
10	(SPC) ABOVE GROUND PROPANE STORAGE TANK SYSTEM AND DISPENSERS, AS PER PLAN	1.00	LS	\$	\$	\$	\$
11	(SPC) TEMPORARY SEDIMENT AND EROSION CONTROL, AS PER PLAN	1.00	LS	\$	\$	\$	\$
12	(SPC) CONTINGENCY/DISCRETIONARY ALLOWANCE	1.00	LS	\$	\$	\$	\$
INFORMAL TOTAL BID						\$	\$

"General Decision Number: OH20240001 07/26/2024

Superseded General Decision Number: OH20230001

State: Ohio

Construction Types: Heavy and Highway

Counties: Ohio Statewide.

Heavy and Highway Construction Projects

Note: Contracts subject to the Davis-Bacon Act are generally required to pay at least the applicable minimum wage rate required under Executive Order 14026 or Executive Order 13658. Please note that these Executive Orders apply to covered contracts entered into by the federal government that are subject to the Davis-Bacon Act itself, but do not apply to contracts subject only to the Davis-Bacon Related Acts, including those set forth at 29 CFR 5.1(a)(1).

Table with 2 columns: Contract conditions and applicable Executive Order details. Includes rows for Executive Order 14026 and Executive Order 13658.

The applicable Executive Order minimum wage rate will be adjusted annually. If this contract is covered by one of the Executive Orders and a classification considered necessary for performance of work on the contract does not appear on this wage determination, the contractor must still submit a conformance request.

Additional information on contractor requirements and worker protections under the Executive Orders is available at http://www.dol.gov/whd/govcontracts.

Table with 2 columns: Modification Number and Publication Date. Lists modifications 0 through 5 with their respective dates.

BROH001-001 06/01/2023

DEFIANCE, FULTON (Excluding Fulton, Amboy & Swan Creek Townships), HENRY (Excluding Monroe, Bartlow, Liberty, Washington, Richfield, Marion, Damascus & Townships & that part of Harrison Township outside corporate limits of city of Napoleon), PAULDING, PUTNAM and WILLIAMS COUNTIES

Table with 2 columns: Rates and Fringes. Shows rates for Bricklayer, Stonemason at \$32.40 and 19.30.

BROH001-004 06/01/2023

Table with 2 columns: Rates and Fringes. Shows rates for CEMENT MASON/CONCRETE FINISHER at \$32.40 and 19.30.

BROH003-002 06/01/2023

FULTON (Townships of Amboy, Swan Creek & Fulton), HENRY (Townships of Washington, Damascus, Richfield, Bartlow, Liberty, Harrison, Monroe, & Marion), LUCAS and WOOD (Townships of Perrysburg, Ross, Lake, Troy, Freedom, Montgomery, Webster, Center, Portage, Middleton, Plain, Liberty, Henry, Washington, Weston, Milton, Jackson & Grand Rapids) COUNTIES

Table with 2 columns: Rates and Fringes. Shows rates for Bricklayer, Stonemason at \$32.40 and 19.30.

BROH005-003 06/01/2020

CUYAHOGA, LORAIN & MEDINA (Hinckley, Granger, Brunswick,

Liverpool, Montville, York, Homer, Harrisville, Chatham, Litchfield & Spencer Townships and the city of Medina)

	Rates	Fringes
BRICKLAYER		
BRICKLAYERS; CAULKERS; CLEANERS; POINTERS; & STONEMASONS.....	\$ 36.64	17.13
SANDBLASTERS.....	\$ 36.39	17.13
SEWER BRICKLAYERS & STACK BUILDERS.....	\$ 36.64	17.13
SWING SCAFFOLDS.....	\$ 37.14	17.13

BROH006-005 06/01/2023

CARROLL, COLUMBIANA (Knox, Butler, West & Hanover Townships), STARK & TUSCARAWAS

	Rates	Fringes
Bricklayer, Stonemason.....	\$ 32.40	19.30

BROH007-002 06/01/2023

LAWRENCE

	Rates	Fringes
Bricklayer, Stonemason.....	\$ 32.40	19.30

BROH007-005 06/01/2023

PORTAGE & SUMMIT

	Rates	Fringes
BRICKLAYER.....	\$ 32.40	19.30

BROH007-010 06/01/2023

PORTAGE & SUMMIT

	Rates	Fringes
MASON - STONE.....	\$ 32.40	19.30

BROH008-001 06/01/2023

COLUMBIANA (Salem, Perry, Fairfield, Center, Elk Run, Middleton, & Unity Townships and the city of New Waterford), MAHONING & TRUMBULL

	Rates	Fringes
BRICKLAYER.....	\$ 32.40	19.30

BROH009-002 06/01/2023

BELMONT & MONROE COUNTIES and the Townships of Warren & Mt. Pleasant and the Village of Dillonvale in JEFFERSON COUNTY

	Rates	Fringes
Bricklayer, Stonemason.....	\$ 32.40	19.30
Refractory.....	\$ 31.45	19.01

BROH010-002 06/01/2023

COLUMBIANA (St. Clair, Madison, Wayne, Franklin, Washington, Yellow Creek & Liverpool Townships) & JEFFERSON (Brush Creek & Saline Townships)

	Rates	Fringes
Bricklayer, Stonemason.....	\$ 32.40	19.30

BROH014-002 06/01/2023

HARRISON & JEFFERSON (Except Mt. Pleasant, Warren, Brush Creek, Saline & Salineville Townships & the Village of Dillonvale)

	Rates	Fringes
Bricklayer, Stonemason.....	\$ 32.40	19.30

BROH016-002 06/01/2023

ASHTABULA, GEAUGA, and LAKE COUNTIES

	Rates	Fringes
Bricklayer, Stonemason.....	\$ 32.40	19.30

BROH018-002 06/01/2023

BROWN, BUTLER, CLERMONT, HAMILTON, PREBLE (Gasper, Dixon, Israel, Lanier, Somers & Gratis Townships) & WARREN COUNTIES:

	Rates	Fringes
Bricklayer, Stonemason.....	\$ 32.40	19.30

BROH0022-004 06/01/2023

CHAMPAIGN, CLARK, CLINTON, DARKE, GREENE, HIGHLAND, LOGAN, MIAMI, MONTGOMERY, PREBLE (Jackson, Monroe, Harrison, Twin, Jefferson & Washington Townships) and SHELBY COUNTIES

	Rates	Fringes
Bricklayer, Stonemason.....	\$ 32.40	19.30

BROH0032-001 06/01/2023

GALLIA & MEIGS

	Rates	Fringes
Bricklayer, Stonemason.....	\$ 32.40	19.30

BROH0035-002 06/01/2023

ALLEN, AUGLAIZE, MERCER and VAN WERT COUNTIES

	Rates	Fringes
Bricklayer, Stonemason.....	\$ 32.40	19.30

BROH0039-002 06/01/2023

ADAMS & SCIOTO

	Rates	Fringes
Bricklayer, Stonemason.....	\$ 32.40	19.30

BROH0040-003 06/01/2023

ASHLAND, CRAWFORD, HARDIN, HOLMES, MARION, MORROW, RICHLAND, WAYNE and WYANDOT (Except Crawford, Ridge, Richland & Tymochtee Townships) COUNTIES

	Rates	Fringes
Bricklayer, Stonemason.....	\$ 32.40	19.30

FOOTNOTE: Layout Man and Sawman rate: \$1.00 per hour above journeyman rate.
Free standing stack work ground level to top of stack;
Sandblasting and laying of carbon masonry material in swing stage and/or scaffold; Ramming and spading of plastics and gunniting: \$1.50 per hour above journeyman rate.
"Hot" work: \$2.50 above journeyman rate.

BROH0044-002 06/01/2023

	Rates	Fringes
Bricklayer, Stonemason COSHOCKTON, FAIRFIELD, GUERNSEY, HOCKING, KNOX, KICKING, MORGAN, MUSKINGUM, NOBLE (Beaver, Buffalo, Seneca & Wayne Townships) & PERRY COUNTIES:.....	\$ 32.40	19.30

* BROH0045-002 06/01/2023

FAYETTE, JACKSON, PIKE, ROSS and VINTON COUNTIES

	Rates	Fringes
Bricklayer, Stonemason.....	\$ 35.39	17.47

BROH0046-002 06/01/2023

ERIE, HANCOCK, HURON, OTTAWA, SANDUSKY, SENECA, WOOD (Perry & Bloom Townships) and WYANDOT (Tymochtee, Crawford, Ridge & Richland Townships) COUNTIES & the Islands of Lake Erie north of Sandusky

	Rates	Fringes
Bricklayer, Stonemason.....	\$ 32.40	19.30

FOOTNOTE: Layout Man and Sawman rate: \$1.00 per hour above journeyman rate.
Free standing stack work ground level to top of stack;
Sandblasting and laying of carbon masonry material in swing stage and/or scaffold; Ramming and spading of plastics and gunniting: \$1.50 per hour above journeyman rate.
"Hot" work: \$2.50 above journeyman rate.

BROH0052-001 06/01/2023

ATHENS COUNTY

	Rates	Fringes
Bricklayer, Stonemason.....	\$ 32.40	19.30

 BROH0052-003 06/01/2023

NOBLE (Brookfield, Noble, Center, Sharon, Olive, Enoch, Stock, Jackson, Jefferson & Elk Townships) and WASHINGTON COUNTIES

	Rates	Fringes
Bricklayer, Stonemason.....	\$ 32.40	19.30

 BROH0055-003 06/01/2023

DELAWARE, FRANKLIN, MADISON, PICKAWAY and UNION COUNTIES

	Rates	Fringes
Bricklayer, Stonemason.....	\$ 32.40	19.30

 CARP0003-004 05/01/2017

MAHONING & TRUMBULL

	Rates	Fringes
CARPENTER.....	\$ 26.20	17.42

 CARP0069-003 05/01/2017

CARROLL, STARK, TUSCARAWAS & WAYNE

	Rates	Fringes
CARPENTER.....	\$ 25.98	15.98

 CARP0069-006 05/01/2017

COSHOCTON, HOLMES, KNOX & MORROW

	Rates	Fringes
CARPENTER.....	\$ 24.04	15.29

 CARP0171-002 05/01/2024

BELMONT, COLUMBIANA, HARRISON, JEFFERSON & MONROE

	Rates	Fringes
CARPENTER.....	\$ 31.82	25.11

 CARP0200-002 05/01/2024

ADAMS, ATHENS, DELAWARE, FAIRFIELD, FAYETTE, FRANKLIN, GALLIA, GUERNSEY, HIGHLAND, HOCKING, JACKSON, LAWRENCE, LICKING, MADISON, MARION, MEIGS, MORGAN, MUSKINGUM, NOBLE, PERRY, PICKAWAY, PIKE, ROSS, SCIOTO, UNION, VINTON and WASHINGTON COUNTIES

	Rates	Fringes
CARPENTER.....	\$ 33.15	22.43
Diver.....	\$ 39.41	10.40
PILEDRIVERMAN.....	\$ 33.15	22.43

 CARP0248-005 07/01/2008

LUCAS & WOOD

	Rates	Fringes
CARPENTER.....	\$ 27.27	14.58

 CARP0248-008 07/01/2008

	Rates	Fringes
CARPENTER DEFIANCE, FULTON, HANCOCK, HENRY, PAULDING & WILLIAMS COUNTIES.....	\$ 23.71	13.28

 CARP0254-002 05/01/2017

ASHTABULA, CUYAHOGA, GEAUGA & LAKE

	Rates	Fringes
CARPENTER.....	\$ 32.40	16.97

 CARP0372-002 05/01/2024

ALLEN, AUGLAIZE, HARDIN, MERCER, PUTNAM & VAN WERT

	Rates	Fringes
CARPENTER.....	\$ 30.73	25.09

 CARP0639-003 05/01/2017

MEDINA, PORTAGE & SUMMIT

	Rates	Fringes
CARPENTER.....	\$ 30.42	16.99

CARP0735-002 05/01/2024

ASHLAND, ERIE, HURON, LORAIN & RICHLAND

	Rates	Fringes
CARPENTER.....	\$ 33.43	22.31

CARP1311-001 05/01/2017

BROWN, BUTLER, CHAMPAIGN, CLARK, CLERMONT, CLINTON, DARKE, GREENE, HAMILTON, LOGAN, MIAMI, MONTGOMERY, PREBLE, SHELBY & WARREN

	Rates	Fringes
Carpenter & Piledrivermen.....	\$ 29.34	15.95
Diver.....	\$ 40.58	9.69

CARP1393-002 05/01/2024

CRAWFORD, DEFIANCE, FULTON, HANCOCK, HENRY, LUCAS, OTTAWA, PAULDING, SANDUSKY, SENECA, WILLIAMS & WOOD

	Rates	Fringes
Piledrivermen & Diver's Tender...	\$ 36.84	27.72

DIVERS - \$250.00 per day

CARP1393-003 05/01/2024

ALLEN, AUGLAIZE, HARDIN, MERCER, PUTNAM, VAN WERT & WYANDOT

	Rates	Fringes
Piledrivermen & Diver's Tender...	\$ 34.68	27.60

DIVERS - \$250.00 per day

CARP1871-006 05/01/2017

BELMONT, HARRISON, & MONROE

	Rates	Fringes
Diver, Wet.....	\$ 48.11	17.33
Piledrivermen; Diver, Dry.....	\$ 32.07	17.33

CARP1871-008 05/01/2017

ASHLAND, ASHTABULA, CUYAHOGA, ERIE, GEAUGA, HURON, LAKE, LORAIN, MEDINA, PORTAGE, RICHLAND & SUMMIT

	Rates	Fringes
Diver, Wet.....	\$ 45.80	18.84
Piledrivermen; Diver, Dry.....	\$ 30.53	18.84

CARP1871-014 05/01/2017

CARROLL, STARK, TUSCARAWAS & WAYNE

	Rates	Fringes
Diver, Wet.....	\$ 38.34	16.95
Piledrivermen; Diver, Dry.....	\$ 25.56	16.95

CARP1871-015 05/01/2017

COSHOCTON, HOLMES, KNOX & MORROW

	Rates	Fringes
Diver, Wet.....	\$ 37.34	16.07
Piledrivermen; Diver, Dry.....	\$ 24.89	16.07

CARP1871-017 05/01/2017

MAHONING & TRUMBULL

	Rates	Fringes
Diver, Wet.....	\$ 40.65	17.62
Piledrivermen; Diver, Dry.....	\$ 27.10	17.62

CARP2235-012 01/01/2014

COLUMBIANA & JEFFERSON

	Rates	Fringes
PILEDRIVERMAN.....	\$ 31.74	16.41

CARP2239-001 07/01/2008

CRAWFORD, OTTAWA, SANDUSKY, SENECA & WYANDOT

	Rates	Fringes
CARPENTER.....	\$ 23.71	13.28

ELEC0008-002 05/29/2023

DEFIANCE, FULTON, HANCOCK, HENRY, LUCAS, OTTAWA, PAULDING, PUTNAM, SANDUSKY, SENECA, WILLIAMS & WOOD

	Rates	Fringes
CABLE SPLICER.....	\$ 38.98	18.96
ELECTRICIAN.....	\$ 46.38	4.5%+21.96

ELEC0032-003 06/01/2024

ALLEN, AUGLAIZE, HARDIN, LOGAN, MERCER, SHELBY, VAN WERT & WYANDOT (Crawford, Jackson, Marseilles, Mifflin, Ridgeland, Ridge & Salem Townships)

	Rates	Fringes
ELECTRICIAN.....	\$ 35.17	22.92

ELEC0038-002 04/24/2023

CUYAHOGA, GEAUGA (Bainbridge, Chester & Russell Townships) & LORAIN (Columbia Township)

	Rates	Fringes
ELECTRICIAN Excluding Sound & Communications Work.....	\$ 43.13	23.31

FOOTNOTES;

- a. 6 Paid Holidays: New Year's Day; Memorial Day; July 4th; Labor Day; Thanksgiving Day; & Christmas Day
- b. 1 week's paid vacation for 1 year's service; 2 weeks' paid vacation for 2 or more years' service

ELEC0038-008 04/24/2023

CUYAHOGA, GEAUGA (Bainbridge, Chester & Russell Townships) & LORAIN (Columbia Township)

	Rates	Fringes
Sound & Communication Technician Communications Technician...	\$ 29.80	13.80
Installer Technician.....	\$ 28.55	13.76

FOOTNOTES;

- a. 6 Paid Holidays: New Year's Day; Memorial Day; July 4th; Labor Day; Thanksgiving Day; & Christmas Day
- b. 1 week's paid vacation for 1 year's service; 2 weeks' paid vacation for 2 or more years' service

ELEC0064-003 11/27/2023

COLUMBIANA (Butler, Fairfield, Perry, Salem & Unity Townships) MAHONING (Austintown, Beaver, Berlin, Boardman, Canfield, Ellsworth, Coitsville, Goshen, Green, Jackson, Poland, Springfield & Youngstown Townships), & TRUMBULL (Hubbard & Liberty Townships)

	Rates	Fringes
ELECTRICIAN.....	\$ 37.90	20.08

ELEC0071-001 01/01/2019

ASHLAND, CHAMPAIGN, CLARK, COSHOCTON, CRAWFORD, DELAWARE, FAIRFIELD, FAYETTE, FRANKLIN, GUERNSEY, HIGHLAND, HOCKING, JACKSON (Coal, Jackson, Liberty, Milton, Washington & Wellston Townships), KNOX, LICKING, MADISON, MARION, MONROE, MORGAN, MORROW, MUSKINGUM, NOBLE, PERRY, PICKAWAY, PIKE (Beaver, Benton, Jackson, Mifflin, Pebble, Peepee, Perry & Seal Townships), RICHLAND, ROSS, TUSCARAWAS (Auburn, Bucks, Clay, Jefferson, Oxford, Perry, Salem, Rush, Washington & York Townships), UNION, VINTON (Clinton, Eagle, Elk, Harrison, Jackson, Richland & Swan Townships), and WASHINGTON COUNTIES

	Rates	Fringes
Line Construction Equipment Operators.....	\$ 33.62	13.40
Groundmen.....	\$ 24.17	11.32
Linemen & Cable Splicers....	\$ 38.27	14.42

ELEC0071-004 01/01/2019

AUGLAIZE, CLINTON, DARKE, GREENE, LOGAN, MERCER, MIAMI, MONTGOMERY, PREBLE, and SHELBY COUNTIES

	Rates	Fringes
Line Construction		
Equipment Operator.....	\$ 33.62	13.40
Groundman.....	\$ 24.17	11.32
Lineman & Cable Splicers....	\$ 38.27	14.42

 ELEC0071-005 01/01/2024

ASHTABULA, CUYAHOGA, GEAUGA, LAKE & LORAIN

	Rates	Fringes
LINE CONSTRUCTION: Equipment Operator		
DOT/Traffic Signal & Highway Lighting Projects...	\$ 37.43	26%+7.75
Municipal Power/Transit Projects.....	\$ 47.86	27%+7.65
LINE CONSTRUCTION: Groundman		
DOT/Traffic Signal & Highway Lighting Projects...	\$ 25.63	26%+7.75
Municipal Power/Transit Projects.....	\$ 31.91	27%+7.65
LINE CONSTRUCTION: Linemen/Cable Splicer		
DOT/Traffic Signal & Highway Lighting Projects...	\$ 42.20	26%+7.75
Municipal Power/Transit Projects.....	\$ 53.18	27%+7.65

 ELEC0071-008 01/01/2019

COLUMBIANA, MAHONING, and TRUMBULL COUNTIES

	Rates	Fringes
Line Construction		
Equipment Operator.....	\$ 33.62	13.40
Groundman.....	\$ 24.17	11.32
Lineman & Cable Splicers....	\$ 38.27	14.42

 ELEC0071-010 01/01/2024

	Rates	Fringes
Line Construction		
Equipment Operator.....	\$ 39.11	17.14
Groundman.....	\$ 25.90	13.97
Lineman & Cable Splicers....	\$ 44.52	18.43

 ELEC0071-013 01/01/2019

BROWN, BUTLER, CLERMONT, HAMILTON, and WARREN COUNTIES

	Rates	Fringes
Line Construction		
Equipment Operator.....	\$ 33.62	13.40
Groundman.....	\$ 24.17	11.32
Lineman & Cable Splicers....	\$ 38.27	14.42

 ELEC0071-014 01/01/2019

ADAMS, ATHENS, GALLIA, JACKSON (Bloomfield, Franklin, Hamilton, Lick, Jefferson, Scioto & Madison Townships), LAWRENCE, MEIGS, PIKE (Camp Creek, Marion, Newton, Scioto, Sunfish & Union Townships), SCIOTO & VINTON (Brown, Knox, Madison, Vinton & Wilkesville Townships)

	Rates	Fringes
Line Construction		
Equipment Operator.....	\$ 33.62	13.40
Groundman.....	\$ 24.17	11.32
Lineman & Cable Splicers....	\$ 38.27	14.42

 ELEC0082-002 12/04/2023

CLINTON, DARKE, GREENE, MIAMI, MONTGOMERY, PREBLE & WARREN (Wayne, Clear Creek & Franklin Townships)

	Rates	Fringes
ELECTRICIAN.....	\$ 36.00	21.99

 * ELEC0082-006 11/28/2022

CLINTON, DARKE, GREENE, MIAMI, MONTGOMERY, PREBLE & WARREN (Wayne, Clear Creek & Franklin Townships)

	Rates	Fringes
Sound & Communication Technician		
Cable Puller.....	\$ 13.10 **	4.76
Installer/Technician.....	\$ 26.20	13.89

 ELEC0129-003 02/26/2024

LORAIN (Except Columbia Township) & MEDINA (Litchfield & Liverpool Townships)

	Rates	Fringes
ELECTRICIAN.....	\$ 41.40	18.36

ELEC0129-004 02/26/2024		

ERIE & HURON (Lyme, Ridgefield, Norwalk, Townsend, Wakeman, Sherman, Peru, Bronson, Hartland, Clarksfield, Norwich, Greenfield, Fairfield, Fitchville & New London Townships)

	Rates	Fringes
ELECTRICIAN.....	\$ 41.40	18.36

ELEC0141-003 06/01/2023		

BELMONT COUNTY

	Rates	Fringes
CABLE SPLICER.....	\$ 30.63	25.87
ELECTRICIAN.....	\$ 35.70	28.87

ELEC0212-003 11/26/2018		

BROWN, CLERMONT & HAMILTON

	Rates	Fringes
Sound & Communication Technician.....	\$ 24.35	10.99

ELEC0212-005 06/05/2023		

BROWN, CLERMONT, and HAMILTON COUNTIES

	Rates	Fringes
ELECTRICIAN.....	\$ 34.41	21.55

ELEC0245-001 08/29/2022		

ALLEN, HARDIN, VAN WERT & WYANDOT (Crawford, Jackson, Marseilles, Mifflin, Richland, Ridge & Salem Townships)

	Rates	Fringes
Line Construction		
Equipment Operator.....	\$ 32.37	26.5%+7.25
Groundman Truck Driver.....	\$ 19.35	7.00+27.25%
Lineman.....	\$ 44.22	7.00+27.25%

FOOTNOTE: a. Half day's Paid Holiday: The last 4 hours of the workday prior to Christmas or New Year's Day

ELEC0245-003 01/01/2024

DEFIANCE, FULTON, HANCOCK, HENRY, HURON, LUCAS, OTTAWA, PAULDING, PUTNAM, SANDUSKY, SENECA, WILLIAMS, and WOOD COUNTIES

	Rates	Fringes
Line Construction		
Cable Splicer.....	\$ 52.53	7.75+27%
Groundman/Truck Driver.....	\$ 19.99	7.75+27%
Heli-arc Welding.....	\$ 45.98	7.75+27%
Lineman.....	\$ 45.68	7.75+27%
Operator - Class 1.....	\$ 36.54	7.75+27%
Operator - Class 2.....	\$ 31.98	7.75+27%
Traffic Signal & Lighting Technician.....	\$ 41.11	7.75+27%

FOOTNOTE: a. 6 Observed Holidays: New Year's Day; Memorial Day; Independence Day; Labor Day; Thanksgiving Day; & Christmas Day. Employees who work on a holiday shall be paid at a rate of double their applicable classified straight-time rates for the work performed on such holiday.

ELEC0245-004 08/28/2023

ERIE COUNTY

	Rates	Fringes
Line Construction		
Cable Splicer.....	\$ 49.14	26.75%+6.75
Cablesplicer.....	\$ 52.76	27%+7.50
Groundman/Truck Driver.....	\$ 20.07	27%+7.50
Lineman.....	\$ 45.88	27%+7.50
Operator - Class 1.....	\$ 36.70	27%+7.50
Operator - Class 2.....	\$ 32.12	27%+7.50

FOOTNOTE: a. 6 Observed Holidays: New Year's Day; Memorial Day; Independence Day; Labor Day; Thanksgiving Day; & Christmas Day. Employees who work on a holiday shall be paid at a rate of double their applicable classified

straight-time rates for the work performed on such holiday.

ELEC0246-001 10/30/2023

	Rates	Fringes
ELECTRICIAN.....	\$ 42.50	55%+13.88

FOOTNOTE: a. 1 1/2 Paid Holidays: The last scheduled workday prior to Christmas & 4 hours on Good Friday.

ELEC0306-005 05/29/2023

MEDINA (Brunswick, Chatham, Granger, Guilford, Harrisville, Hincley, Homer, Lafayette, Medina, Montville, Sharon, Spencer, Wadsworth, Westfield & York Townships), PORTAGE (Atwater, Aurora, Brimfield, Deerfield, Franklin, Mantua, Randolph, Ravenna, Rootstown, Shalersville, Streetsboro & Suffield Townships), SUMMIT & WAYNE (Baughman, Canaan, Chester, Chippewa, Congress, Green, Milton, & Wayne Townships)

	Rates	Fringes
CABLE SPLICER.....	\$ 36.87	16.56
ELECTRICIAN.....	\$ 40.15	5.25%+20.85

ELEC0317-002 05/29/2023

GALLIA & LAWRENCE

	Rates	Fringes
CABLE SPLICER.....	\$ 32.68	18.13
ELECTRICIAN.....	\$ 37.15	28.48

ELEC0540-005 01/01/2024

CARROLL (Northern half, including Fox, Harrison, Rose & Washington Townships), COLUMBIANA (Knox Township), HOLMES, MAHONING (Smith Township), STARK, TUSCARAWAS (North of Auburn, Clay, Rush & York Townships), and WAYNE (South of Baughman, Chester, Green & Wayne Townships) COUNTIES

	Rates	Fringes
ELECTRICIAN.....	\$ 36.96	28.18

ELEC0573-003 11/27/2023

ASHTABULA (Colebrook, Wayne, Williamsfield, Orwell & Windsor Townships), GEAUGA (Auburn, Middlefield, Parkman & Troy Townships), MAHONING (Milton Township), PORTAGE (Charlestown, Edinburg, Freedom, Hiram, Nelson, Palmyra, Paris & Windham Townships), and TRUMBULL (Except Liberty & Hubbard Townships)

	Rates	Fringes
ELECTRICIAN.....	\$ 40.40	22.08

ELEC0575-001 05/29/2023

ADAMS, FAYETTE, HIGHLAND, HOCKING, JACKSON (Bloomfield, Franklin, Hamilton, Jefferson, Lick, Madison, Scioto, Coal, Jackson, Liberty, Milton & Washington Townships), PICKAWAY (Deer Creek, Perry, Pickaway, Salt Creek & Wayne Townships), PIKE (Beaver, Benton, Jackson, Mifflin, Pebble, PeePee, Perry, Seal, Camp Creek, Newton, Scioto, Sunfish, Union & Marion Townships), ROSS, SCIOTO & VINTON (Clinton, Eagle, Elk, Harrison, Jackson, Richland & Swan Townships)

	Rates	Fringes
ELECTRICIAN.....	\$ 37.00	22.26

ELEC0648-001 08/29/2023

BUTLER and WARREN COUNTIES (Deerfield, Hamilton, Harlan, Massie, Salem, Turtle Creek, Union & Washington Townships)

	Rates	Fringes
CABLE SPLICER.....	\$ 30.50	18.23
ELECTRICIAN.....	\$ 34.00	21.98

ELEC0673-004 01/01/2024

ASHTABULA (Excluding Orwell, Colebrook, Williamsfield, Wayne & Windsor Townships), GEAUGA (Burton, Chardon, Claridon, Hambden, Huntsburg, Montville, Munson, Newbury & Thompson Townships) and LAKE COUNTIES

	Rates	Fringes
CABLE SPLICER.....	\$ 33.81	21.47
ELECTRICIAN.....	\$ 37.38	23.75

ELEC0683-002 05/29/2023

CHAMPAIGN, CLARK, DELAWARE, FAIRFIELD, FRANKLIN, MADISON, PICKAWAY (Circleville, Darby, Harrison, Jackson, Madison, Monroe, Muhlenberg, Scioto, Walnut & Washington Townships), and UNION COUNTIES

	Rates	Fringes
CABLE SPLICER.....	\$ 38.75	24.19
ELECTRICIAN.....	\$ 37.75	24.16

ELEC0688-003 05/30/2022

ASHLAND, CRAWFORD, HURON (Richmond, New Haven, Ripley & Greenwich Townships), KNOX (Liberty, Clinton, Union, Howard, Monroe, Middleberry, Morris, Wayne, Berlin, Pike, Brown & Jefferson Townships), MARION, MORROW, RICHLAND and WYANDOT (Sycamore, Crane, Eden, Pitt, Antrim & Tymochtee Townships) COUNTIES

	Rates	Fringes
ELECTRICIAN.....	\$ 32.30	21.83

ELEC0972-002 06/01/2023

ATHENS, MEIGS, MONROE, MORGAN, NOBLE, VINTON (Brown, Knox, Madison, Vinton & Wilkesville Townships), and WASHINGTON COUNTIES

	Rates	Fringes
CABLE SPLICER.....	\$ 35.70	30.26
ELECTRICIAN.....	\$ 35.45	30.25

ELEC1105-001 05/29/2023

COSHOCTON, GUERNSEY, KNOX (Jackson, Clay, Morgan, Miller, Milford, Hilliar, Butler, Harrison, Pleasant & College Townships), LICKING, MUSKINGUM, PERRY, and TUSCARAWAS (Auburn, York, Clay, Jefferson, Rush, Oxford, Washington, Salem, Perry & Bucks Townships) COUNTIES

	Rates	Fringes
ELECTRICIAN.....	\$ 36.45	24.22

ENGI0018-003 05/01/2024

ASHTABULA, CUYAHOGA, ERIE, GEAUGA, LAKE, LORAIN, MEDINA, PORTAGE, and SUMMIT COUNTIES

	Rates	Fringes
POWER EQUIPMENT OPERATOR		
GROUP 1.....	\$ 45.63	16.41
GROUP 2.....	\$ 45.53	16.41
GROUP 3.....	\$ 44.49	16.41
GROUP 4.....	\$ 43.27	16.41
GROUP 5.....	\$ 37.98	16.41
GROUP 6.....	\$ 46.63	16.41
GROUP 7.....	\$ 46.63	16.41

OPERATING ENGINEER CLASSIFICATIONS

GROUP 1 - Air Compressor on Steel Erection; Barrier Moving Machine; Boiler Operator on Compressor or Generator when mounted on a Rig; Cableway; Combination Concrete Mixer & Tower; Concrete Plant (over 4 yd. Capacity); Concrete Pump; Crane (All Types, Including Boom Truck, Cherry Picker); Crane-Compact, Track or Rubber over 4,000 lbs. capacity; Cranes-Self Erecting, Stationary, Track or Truck (All Configurations); Derrick; Dragline; Dredge (Dipper, Clam or Suction); Elevating Grader or Euclid Loader; Floating Equipment (All Types); Gradall; Helicopter Crew (Operator-Hoist or Winch); Hoe (all types); Hoisting Engine on Shaft or Tunnel Work; Hydraulic Gantry (Lifting System); Industrial-Type Tractor; Jet Engine Dryer (D8 or D9) Diesel Tractor; Locomotive (Standard Gauge); Maintenance Operator Class A; Mixer, Paving (Single or Double Drum); Mucking Machine; Multiple Scraper; Piledriving Machine (All Types); Power Shovel; Prentice Loader; Quad 9 (Double Pusher); Rail Tamper (with auto lifting & aligning device); Refrigerating Machine (Freezer Operation); Rotary Drill, on Caisson work; Rough Terrain Fork Lift with Winch/Hoist; Side-Boom; Slip-Form Paver; Tower Derrick; Tree Shredder; Trench Machine (Over 24" wide); Truck Mounted Concrete Pump; Tug Boat; Tunnel Machine and/or Mining Machine; Wheel Excavator; and Asphalt Plant Engineer (Cleveland District Only).

GROUP 2 - Asphalt Paver; Automatic Subgrader Machine, Self-Propelled (CMI Type); Bobcat Type and/or Skid Steer Loader with Hoe Attachment Greater than 7,000 lbs.; Boring Machine More than 48"; Bulldozer; Endloader; Horizontal Directional Drill (Over 50,000 ft lbs thrust); Hydro Milling Machine; Kolman-type Loader (production type-Dirt); Lead Greaseman; Lighting & Traffic Signal Installation Equipment (includes all groups or classifications); Material Transfer Equipment (Shuttle Buggy) Asphalt;

Pettibone-Rail Equipment; Power Grader; Power Scraper; Push Cat; Rotomill (all), Grinders & Planers of All types; Trench Machine (24" wide & under); Vermeer type Concrete Saw; and Maintenance Operators (Portage and Summit Counties Only).

GROUP 3 - A-Frame; Air Compressor on Tunnel Work (low pressure); Asphalt Plant Engineer (Portage and Summit Counties Only); Bobcat-type and/or Skid Steer Loader with or without Attachments; Highway Drills (all types); Locomotive (narrow gauge); Material Hoist/Elevator; Mixer, Concrete (more than one bag capacity); Mixer, one bag capacity (Side Loader); Power Boiler (Over 15 lbs. Pressure) Pump Operator installing & operating Well Points; Pump (4" & over discharge); Roller, Asphalt; Rotovator (lime soil stabilizer); Switch & Tie Tampers (without lifting & aligning device); Utility Operator (Small equipment); Welding Machines; and Railroad Tie inserter/Remover; Articulating/straight bed end dumps if assigned (minus \$4.00 per hour).

GROUP 4 - Backfiller; Ballast Re-locator; Bars, Joint & Mesh Installing Machine; Batch Plant; Boring Machine Operator (48" or less); Bull Floats; Burlap & Curing Machine; Concrete Plant (capacity 4 yd. & under); Concrete Saw (Multiple); Conveyor (Highway); Crusher; Deckhand; Farm-type Tractor with attachments (highway); Finishing Machine; Fireperson, Floating Equipment (all types); Forklift; Form Trencher; Hydro Hammer expect masonry; Hydro Seeder; Pavement Breaker; Plant Mixer; Post Driver; Post Hole Digger (Power Auger); Power Brush Burner; Power Form Handling Equipment; Road Widening Trencher; Roller (Brick, Grade & Macadam); Self-Propelled Power Spreader; Self-Propelled Power Subgrader; Steam Fireperson; Tractor (Pulling Sheepfoot, Roller or Grader); and Vibratory Compactor with Integral Power.

GROUP 5 - Compressor (Portable, Sewer, Heavy & Highway); Drum Fireperson (Asphalt Plant); Generator; Masonry Fork Lift; Inboard-Outboard Motor Boat Launch; Oil Heater (asphalt plant); Oiler/Helper; Power Driven Heater; Power Sweeper & Scrubber; Pump (under 4" discharge); Signalperson; Tire Repairperson; VAC/ALLS; Cranes - Compact, track or rubber under 4,000 pound capacity; fueling and greasing; and Chainmen.

GROUP 6 - Master Mechanic & Boom from 150 to 180.

GROUP 7 - Boom from 180 and over.

ENGI0018-004 05/01/2024

ADAMS, ALLEN, ASHLAND, ATHENS, AUGLAIZE, BELMONT, BROWN, BUTLER, CARROLL, CHAMPAIGN, CLARK, CLERMONT, CLINTON, COSHOCTON, CRAWFORD, DARKE, DEFIANCE, DELAWARE, FAIRFIELD, FAYETTE, FRANKLIN, FULTON, GALLIA, GREENE, GUERNSEY, HAMILTON, HANCOCK, HARDIN, HARRISON, HENRY, HIGHLAND, HOCKING, HOLMES, HURON, JACKSON, JEFFERSON, KNOX, LAWRENCE, LICKING, LOGAN, LUCAS, MADISON, MARION, MEIGS, MERCER, MIAMI, MONROE, MONTGOMERY, MORGAN, MORROW, MUSKINGUM, NOBLE, OTTAWA, PAULDING, PERRY, PICKAWAY, PIKE, PREBLE, PUTNAM, RICHLAND, ROSS, SANDUSKY, SCIOTO, SENECA, SHELBY, STARK, TUSCARAWAS, UNION, VAN WERT, VINTON, WARREN, WASHINGTON, WAYNE, WILLIAMS, WOOD, and YANDOT COUNTIES

	Rates	Fringes
POWER EQUIPMENT OPERATOR		
GROUP 1.....	\$ 44.14	16.41
GROUP 2.....	\$ 44.02	16.41
GROUP 3.....	\$ 42.98	16.41
GROUP 4.....	\$ 41.80	16.41
GROUP 5.....	\$ 36.34	16.41
GROUP 6.....	\$ 45.14	16.41
GROUP 7.....	\$ 45.14	16.41

OPERATING ENGINEER CLASSIFICATIONS

GROUP 1 - Air Compressor on Steel Erection; Barrier Moving Machine; Boiler Operator on Compressor or Generator when mounted on a Rig; Cableway; Combination Concrete Mixer & Tower; Concrete Plant (over 4 yd. Capacity); Concrete Pump; Crane (All Types, Including Boom Truck, Cherry Picker); Crane-Compact, Track or Rubber over 4,000 lbs. capacity; Cranes-Self Erecting, Stationary, Track or Truck (All Configurations); Derrick; Dragline; Dredge (Dipper, Clam or Suction); Elevating Grader or Euclid Loader; Floating Equipment (All Types); Gradall; Helicopter Crew (Operator-Hoist or Winch); Hoe (all types); Hoisting Engine on Shaft or Tunnel Work; Hydraulic Gantry (Lifting System); Industrial-Type Tractor; Jet Engine Dryer (D8 or D9) Diesel Tractor; Locomotive (Standard Gauge); Maintenance Operator Class A; Mixer, Paving (Single or Double Drum); Mucking Machine; Multiple Scraper; Piledriving Machine (All Types); Power Shovel; Prentice Loader; Quad 9 (Double Pusher); Rail Tamper (with auto lifting & aligning device); Refrigerating Machine (Freezer Operation); Rotary Drill, on Caisson work; Rough Terrain Fork Lift with Winch/Hoist; Side-Boom; Slip-Form Paver; Tower Derrick; Tree Shredder; Trench Machine (Over 24" wide); Truck Mounted Concrete Pump; Tug Boat; Tunnel Machine and/or Mining Machine; and Wheel Excavator.

GROUP 2 - Asphalt Paver; Automatic Subgrader Machine, Self-Propelled (CMI Type); Bobcat Type and/or Skid Steer Loader with Hoe Attachment Greater than 7,000 lbs.; Boring Machine More than 48"; Bulldozer; Endloader; Hydro Milling Machine; Horizontal Directional Drill (over 50,000 ft. lbs. thrust); Kolman-type Loader (production type-Dirt); Lead Greaseman; Lighting & Traffic Signal Installation Equipment (includes all groups or classifications); Material Transfer Equipment (Shuttle Buggy) Asphalt; Pettibone-Rail Equipment; Power Grader; Power Scraper; Push Cat; Rotomill (all), Grinders & Planers of All types; Trench Machine (24" wide & under); and Vermeer type Concrete Saw.

GROUP 3 - A-Frame; Air Compressor on Tunnel Work (low pressure); Asphalt Plant Engineer; Bobcat-type and/or Skid Steer Loader with or without Attachments; Highway Drills (all types); Locomotive (narrow gauge); Material Hoist/Elevator; Mixer, Concrete (more than one bag capacity); Mixer, one bag capacity (Side Loader); Power Boiler (Over 15 lbs. Pressure) Pump Operator installing & operating Well Points; Pump (4" & over discharge); Railroad Tie Insertor/Remover; Roller, Asphalt; Rotovator (lime soil stabilizer); Switch & Tie Tampers (without lifting & aligning device); Utility Operator (Small equipment); and Welding Machines; Articulating/straight bed end dumps if assigned (minus \$4.00 per hour).

GROUP 4 - Backfiller; Ballast Re-locator; Bars, Joint & Mesh Installing Machine; Batch Plant; Boring Machine Operator (48" or less); Bull Floats; Burlap & Curing Machine; Concrete Plant (capacity 4 yd. & under); Concrete Saw (Multiple); Conveyor (Highway); Crusher; Deckhand; Farm-type Tractor with attachments (highway); Finishing Machine; Fireperson, Floating Equipment (all types); Fork Lift; Form Trencher; Hydro Hammer expect masonry; Hydro Seeder; Pavement Breaker; Plant Mixer; Post Driver; Post Hole Digger (Power Auger); Power Brush Burner; Power Form Handling Equipment; Road Widening Trencher; Roller (Brick, Grade & Macadam); Self-Propelled Power Spreader; Self-Propelled Power Subgrader; Steam Fireperson; Tractor (Pulling Sheepfoot, Roller or Grader); and Vibratory Compactor with Integral Power.

GROUP 5 - Compressor (Portable, Sewer, Heavy & Highway); Drum Fireperson (Asphalt Plant); Generator; Masonary Forklift; Inboard-Outboard Motor Boat Launch; Oil Heater (asphalt plant); Oiler/Helper; Power Driven Heater; Power Sweeper & Scrubber; Pump (under 4" discharge); Signalperson; Tire Repairperson; VAC/ALLS; Cranes - Compact, track or rubber under 4,000 pound capacity; fueling and greasing; and Chainmen.

GROUP 6 - Master Mechanic & Boom from 150 to 180.

GROUP 7 - Boom from 180 and over.

 ENGI0066-023 06/01/2023

COLUMBIANA, MAHONING & TRUMBULL COUNTIES

	Rates	Fringes
POWER EQUIPMENT OPERATOR		
ASBESTOS; HAZARDOUS/TOXIC WASTE PROJECTS		
GROUP 1 - A & B.....	\$ 44.63	24.30
ASBESTOS; HAZARDOUS/TOXIC WASTE PROJECTS		
GROUP 2 - A & B.....	\$ 44.30	24.30
ASBESTOS; HAZARDOUS/TOXIC WASTE PROJECTS		
GROUP 3 - A & B.....	\$ 38.47	24.30
ASBESTOS; HAZARDOUS/TOXIC WASTE PROJECTS		
GROUP 4 - A & B.....	\$ 34.52	24.30
ASBESTOS; HAZARDOUS/TOXIC WASTE PROJECTS		
GROUP 5 - A & B.....	\$ 31.13	24.30
HAZARDOUS/TOXIC WASTE PROJECTS		
GROUP 1 - C & D.....	\$ 40.91	24.30
HAZARDOUS/TOXIC WASTE PROJECTS		
GROUP 2 - C & D.....	\$ 40.61	24.30
HAZARDOUS/TOXIC WASTE PROJECTS		
GROUP 3 - C & D.....	\$ 35.27	24.30
HAZARDOUS/TOXIC WASTE PROJECTS		
GROUP 4 - C & D.....	\$ 31.65	24.30
HAZARDOUS/TOXIC WASTE PROJECTS		
GROUP 5 - C & D.....	\$ 28.53	24.30
ALL OTHER WORK		
GROUP 1.....	\$ 37.19	24.30
ALL OTHER WORK		
GROUP 2.....	\$ 36.92	24.30
ALL OTHER WORK		
GROUP 3.....	\$ 32.06	24.30
ALL OTHER WORK		
GROUP 4.....	\$ 28.77	24.30
ALL OTHER WORK		
GROUP 5.....	\$ 25.94	24.30

GROUP 1 - Rig, Pile Driver or Caisson Type; & Rig, Pile Hydraulic Unit Attached

GROUP 2 - Asphalt Heater Planer; Backfiller with Drag Attachment; Backhoe; Backhoe with Shear attached; Backhoe-Rear Pivotal Swing; Batch Plant-Central Mix Concrete; Batch Plant, Portable concrete; Berm Builder-Automatic; Boat Derrick; Boat-Tug; Boring Machine Attached to Tractor; Bullclam; Bulldozer; C.M.I. Road Builder & Similar Type; Cable Placer & Layer; Carrier-Straddle; Carryall-Scraper or Scoop; Chicago Boom; Compactor with Blade Attached; Concrete Saw (Vermeer or similar type); Concrete Spreader Finisher; Combination, Bidwell Machine; Crane; Crane-Electric Overhead; Crane-Rough Terrain; Crane-Side Boom; Crane-Truck; Crane-Tower; Derrick-Boom; Derrick-Car; Digger-Wheel (Not trencher or road widener); Double Nine; Drag Line; Dredge; Drill-Kenny or Similar Type; Easy Pour Median Barrier Machine (or similar type); Electromatic; Frankie Pile; Gradall; Grader; Gurry; Self-Propelled; Heavy Equipment Robotics Operator/Mechanic; Hoist-Monorail; Hoist-Stationary & Mobile Tractor; Hoist, 2 or 3 drum; Horizontal Directional Drill Operator; Jackall; Jumbo Machine; Kocal & Kuhlman; Land-Seagoing Vehicle; Loader, Elevating; Loader, Front End; Loader, Skid Steer; Locomotive; Mechanic/Welder; Metro Chip Harvester with Boom; Mucking Machine; Paver-Asphalt Finishing Machine; Paver-Road Concrete; Paver-Slip Form (C.M.I. or similar); Place Crete Machine with Boom; Post Driver (Carrier mounted); Power Driven Hydraulic Pump & Jack (When used in Slip Form or Lift Slab Construction); Pump Crete Machine; Regulator-Ballast; Hydraulic Power Unit not attached to Rig for Pile Drillings; Rigs-Drilling; Roto Mill or similar Full Lane (8' Wide & Over); Roto Mill or similar type (Under 8'); Shovel; Slip Form Curb Machine; Speedwing; Spikemaster; Stonecrusher; Tie Puller & Loader; Tie Tamper; Tractor-Double Boom; Tractor with Attachments; Truck-Boom; Truck-Tire; Trench Machine; Tunnel Machine (Mark 21 Java or similar); & Whirley (or similar type)

GROUP 3 - Asphalt Plant; Bending Machine (Pipeline or similar type); Boring machine, Motor Driven; Chip Harvester without Boom; Cleaning Machine, Pipeline Type; Coating Machine, Pipeline Type; Compactor; Concrete Belt Placer; Concrete Finisher; Concrete Planer or Asphalt; Concrete Spreader; Elevator; Fork Lift (Home building only); Fork lift & Lulls; Fork Lift Walk Behind (Hoisting over 1 buck high); Form Line Machine; Grease Truck operator; Grout Pump; Gunnite Machine; Horizontal Directional Drill Locator; Single Drum Hoist with or without Tower; Huck Bolting Machine; Hydraulic Scaffold (Hoisting building materials); Paving Breaker (Self-propelled or Ridden); Pipe Dream; Pot Fireperson (Power Agitated); Refrigeration Plant; Road Widener; Roller; Sasgen Derrick; Seeding Machine; Soil Stabilizer (Pump type); Spray Cure Machine, Self-Propelled; Straw Blower Machine; Sub-Grader; Tube Finisher or Broom C.M.I. or similar type; & Tugger Hoist

GROUP 4 - Air Curtain Destructor & Similar Type; Batch Plant-Job Related; Boiler Operator; Compressor; Conveyor; Curb Builder, self-propelled; Drill Wagon; Generator Set; Generator-Steam; Heater-Portable Power; Hydraulic Manipulator Crane; Jack-Hydraulic Power driven; Jack-Hydraulic (Railroad); Ladavator; Minor Machine Operator; Mixer-Concrete; Mulching Machine; Pin Puller; Power Broom; Pulverizer; Pump; Road Finishing Machine (Pull Type); Saw-Concrete-Self-Propelled (Highway Work); Signal Person; Spray Cure Machine-Motor Powered; Stump Cutter; Tractor; Trencher Form; Water Blaster; Steam Jenny; Syphon; Vibrator-Gasoline; & Welding Machine

GROUP 5 - Brakeperson; Fireperson; & Oiler

IRON0017-002 05/01/2024

ASHTABULA (North of Route 6, starting at the Geauga County Line, proceeding east to State Route 45), CUYAHOGA, ERIE (Eastern 2/3), GEAUGA, HURON (East of a line drawn from the north border through Monroeville & Willard), LAKE, LORAIN, MEDINA (North of Old Rte. #224), PORTAGE (West of a line from Middlefield to Shalersville to Deerfield), and SUMMIT (North of Old Rte. #224, including city limits of Barberton) COUNTIES

Rates Fringes

IRONWORKER
Ornamental, Reinforcing, &
Structural.....\$ 36.83 29.01

IRON0017-010 05/01/2024

ASHTABULA (Eastern part from Lake Erie on the north to route #322 on the south to include Conneaut, Kingsville, Sheffield, Denmark, Dorset, Cherry Valley, Wayne, Monroe, Pierpont, Richmond, Andover & Williamsfield Townships)

Rates Fringes

IRONWORKER
Structural, including
metal building erection &
Reinforcing.....\$ 36.83 29.01

IRON0044-001 06/01/2022

ADAMS (Western Part), BROWN, BUTLER (Southern Part), CLERMONT, CLINTON (South of a line drawn from Blanchester to Lynchburg), HAMILTON, HIGHLAND (Excluding eastern one-fifth & portion of county inside lines drawn from Marshall to Lynchburg from the northern county line through E. Monroe to Marshall) and WARREN (South of a line drawn from Blanchester through Morrow to the west county line) COUNTIES

	Rates	Fringes
IRONWORKER, REINFORCING.....	\$ 32.37	22.30
Beyond 30-mile radius of Hamilton County Courthouse..	\$ 28.67	21.20
Up to & including 30-mile radius of Hamilton County Courthouse.....	\$ 27.60	20.70

* IRON0044-002 06/01/2024

CLINTON (South of a line drawn from Blanchester to Lynchburg), HAMILTON, HIGHLAND (Excluding eastern one-fifth & portion of county inside lines drawn from Marshall to Lynchburg from the northern county line through E. Monroe to Marshall) & WARREN (South of a line drawn from Blanchester through Morrow to the west county line)

	Rates	Fringes
IRONWORKER		
Fence Erector.....	\$ 33.60	23.00
Ornamental; Structural.....	\$ 35.37	23.00

* IRON0055-003 07/01/2024

CRAWFORD (Area Between lines drawn from where Hwy #598 & #30 meet through N. Liberty to the northern border & from said Hwy junction point due west to the border), DEFIANCE (S. of a line drawn from where Rte. #66 meets the northern line through Independence to the eastern county border), ERIE (Western 1/3), FULTON, HANCOCK, HARDIN (North of a line drawn from Maysville to a point 4 miles south of the northern line on the eastern line), HENRY, HURON (West of a line drawn from the northern border through Monroeville & Willard), LUCAS, OTTAWA, PUTNAM (East of a line drawn from the northern border down through Miller City to where #696 meets the southern border), SANDUSKY, SENECA, WILLIAMS (East of a line drawn from Pioneer through Stryker to the southern border), WOOD & WYANDOT (North of Rte. #30)

	Rates	Fringes
IRONWORKER		
Fence Erector.....	\$ 26.40	24.62
Flat Road Mesh.....	\$ 29.77	21.30
Tunnels & Caissons Under Pressure.....	\$ 29.77	21.30
All Other Work.....	\$ 35.50	29.20

IRON0147-002 06/01/2024

ALLEN (Northern half), DEFIANCE (Northern part, excluding south of a line drawn from where Rte. #66 meets the northern line through Independence to the eastern county border), MERCER (Northern half), PAULDING, PUTNAM (Western part, excluding east of a line drawn from the northern border down through Miller City to where #696 meets the southern border), VAN WERT, and WILLIAMS (Western part, excluding east of a line drawn from Pioneer through Stryker to the southern border) COUNTIES

	Rates	Fringes
IRONWORKER.....	\$ 34.20	26.39

IRON0172-002 06/01/2024

CHAMPAIGN (Eastern one-third), CLARK (Eastern one-fourth), COSHOCTON (West of a line beginning at the northwestern county line going through Walhonding & Tunnel Hill to the southern county line), CRAWFORD (South of Rte. #30), DELAWARE, FAIRFIELD, FAYETTE, FRANKLIN, HARDIN (Excluding a line drawn from Roundhead to Maysville), HIGHLAND (Eastern one-fifth), HOCKING, JACKSON (Northern half), KNOX, LICKING, LOGAN (Eastern one-third), MADISON, MARION, MORROW, MUSKINGUM (West of a line starting at Adams Mill going to Adamsville & going from Adamsville through Blue Rock to the southern border), PERRY, PICKAWAY, PIKE (Northern half), ROSS, UNION, VINTON and WYANDOT (South of Rte. #30) COUNTIES

	Rates	Fringes
IRONWORKER.....	\$ 36.77	22.85

IRON0207-004 06/01/2024

ASHTABULA (Southern part starting at the Geauga County line), COLUMBIANA (E. of a line from Damascus to Highlandtown), MAHONING (N. of Old Route #224), PORTAGE (E. of a line from

Middlefield to Shalersville to Deerfield) & TRUMBULL

	Rates	Fringes
IRONWORKER		
Layout; Sheeter.....	\$ 35.83	27.41
Ornamental; Reinforcing;		
Structural.....	\$ 34.83	27.41
Ornamental; Reinforcing....	\$ 28.92	25.61

IRON0290-002 06/01/2024

ALLEN (Southern half), AUGLAIZE, BUTLER (North of a line drawn from east to the west county line going through Oxford, Darrrtown & Woodsdale), CHAMPAIGN (Excluding east of a line drawn from Catawla to the point where #68 intersects the northern county line), CLARK (Western two-thirds), CLINTON (Excluding south of a line drawn from Blanchester to Lynchburg), DARKE, GREENE, HIGHLAND (Inside lines drawn from Marshall to Lynchburg & from the northern county line through East Monroe to Marshall), LOGAN (West of a line drawn from West Liberty to where the northern county line meets the western county line of Hardin), MERCER (Southern half), MIAMI, MONTGOMERY, PREBLE, SHELBY & WARREN (Excluding south of a line drawn from Blanchester through Morrow to the western county line) COUNTIES

	Rates	Fringes
IRONWORKER.....	\$ 35.39	24.35

IRON0549-003 12/01/2022

BELMONT, GUERNSEY, HARRISON, JEFFERSON, MONROE & MUSKINGUM (Excluding portion west of a line starting at Adams Mill going to Adamsville and going from Adamsville through Blue Rock to the south border)

	Rates	Fringes
IRONWORKER.....	\$ 35.19	25.66

IRON0550-004 05/01/2024

ASHLAND, CARROLL, COLUMBIANA (W. of a line from Damascus to Highlandtown), COSHOCTON (E. of a line beginning at NW Co. line going through Walhonding & Tunnel Hill to the South Co. line), HOLMES, HURON (S. of Old Rte. #224), MAHONING (S. of Old Rte. #224), MEDINA (S. of Old Rte. #224), PORTAGE (S. of Old Rte. #224), RICHLAND, STARK, SUMMIT (S. of Old Rte. #224, Excluding city limits of Barberton), TUSCARAWAS, & WAYNE

	Rates	Fringes
Ironworkers:Structural, Ornamental and Reinforcing.....	\$ 34.70	22.88

IRON0769-004 06/01/2024

ADAMS (Eastern Half), GALLIA, JACKSON (Southern Half), LAWRENCE & SCIOTO

	Rates	Fringes
IRONWORKER.....	\$ 37.66	29.24

IRON0787-003 06/01/2024

ATHENS, MEIGS, MORGAN, NOBLE, and WASHINGTON COUNTIES

	Rates	Fringes
IRONWORKER.....	\$ 33.00	24.25

LAB00265-008 05/01/2024

	Rates	Fringes
LABORER		
ASHTABULA, ERIE, HURON, LORAIN, LUCAS, MAHONING, MEDINA, OTTAWA, PORTAGE, SANDUSKY, STARK, SUMMIT, TRUMBULL & WOOD COUNTIES		
GROUP 1.....	\$ 35.05	13.70
GROUP 2.....	\$ 35.22	13.70
GROUP 3.....	\$ 35.55	13.70
GROUP 4.....	\$ 36.00	13.70
CUYAHOGA AND GEAUGA COUNTIES ONLY: SEWAGE PLANTS, WASTE PLANTS, WATER TREATMENT FACILITIES, PUMPING STATIONS, & ETHANOL PLANTS CONSTRUCTION.....		
	\$ 37.66	13.70
CUYAHOGA, GEAUGA & LAKE COUNTIES		
GROUP 1.....	\$ 36.28	13.70
GROUP 2.....	\$ 36.45	13.70
GROUP 3.....	\$ 36.78	13.70

GROUP 4.....	\$ 37.23	13.70
REMAINING COUNTIES OF OHIO		
GROUP 1.....	\$ 35.52	14.45
GROUP 2.....	\$ 35.69	14.45
GROUP 3.....	\$ 36.02	14.45
GROUP 4.....	\$ 36.47	14.45

LABORER CLASSIFICATIONS

GROUP 1 - Asphalt Laborer; Carpenter Tender; Concrete Curing Applicator; Dump Man (Batch Truck); Guardrail and Fence Installer; Joint Setter; Laborer (Construction); Landscape Laborer; Mesh Handlers & Placer; Right-of-way Laborer; Riprap Laborer & Grouter; Scaffold Erector; Seal Coating; Surface Treatment or Road Mix Laborer; Sign Installer; Slurry Seal; Utility Man; Bridge Man; Handyman; Waterproofing Laborer; Flagperson; Hazardous Waste (level D); Diver Tender; Zone Person & Traffic Control

GROUP 2 - Asphalt Raker; Concrete Puddler; Kettle Man Pipeline); Machine Driven Tools (Gas, Electric, Air); Mason Tender; Brick Paver; Mortar Mixer; Power Buggy or Power Wheelbarrow; Paint Striper; Sheeting & Shoring Man; Surface Grinder Man; Plastic Fusing Machine Operator; Pug Mill Operator; & Vacuum Devices (wet or dry); Rodding Machine Operator; Diver; Screwwoman or Paver; Screed Person; Water Blast, Hand Held Wand; Pumps 4" & Under (Gas, Air or Electric) & Hazardous Waste (level C); Air Track and Wagon Drill; Bottom Person; Cofferdam (below 25 ft. deep); Concrete Saw Person; Cutting with Burning Torch; Form Setter; Hand Spiker (Railroad); Pipelayer; Tunnel Laborer (without air) & Caisson; Underground Person (working in Sewer and Waterline, Cleaning, Repairing & Reconditioning); Sandblaster Nozzle Person; & Hazardous Waste (level B)

GROUP 3 - Blaster; Mucker; Powder Person; Top Lander; Wrencher (Mechanical Joints & Utility Pipeline); Yarner; Hazardous Waste (level A); Concrete Specialist; Concrete Crew in Tunnels (With Air-pressurized - \$1.00 premium); Curb Setter & Cutter; Grade Checker; Utility Pipeline Tapper; Waterline; and Caulker

GROUP 4 - Miner (With Air-pressurized - \$1.00 premium); & Gunite Nozzle Person

TUNNEL LABORER WITH AIR-PRESSURIZED ADD \$1.00 TO BASE RATE

SIGNAL PERSON WILL RECEIVE THE RATE EQUAL TO THE RATE PAID THE LABORER CLASSIFICATION FOR WHICH HE OR SHE IS SIGNALING.

PAIN006-002 05/01/2023

ASHTABULA, CUYAHOGA, GEAUGA, LAKE, LORAIN, PORTAGE (N. of the East-West Turnpike) & SUMMIT (N. of the East-West Turnpike)

Rates Fringes

PAINTER

COMMERCIAL NEW WORK; REMODELING; & RENOVATIONS		
GROUP 1.....	\$ 30.75	18.95
GROUP 2.....	\$ 31.15	18.95
GROUP 3.....	\$ 31.45	18.95
GROUP 4.....	\$ 37.01	18.95
COMMERCIAL REPAINT		
GROUP 1.....	\$ 29.25	18.95
GROUP 2.....	\$ 29.65	18.95
GROUP 3.....	\$ 29.95	18.95

PAINTER CLASSIFICATIONS - COMMERCIAL NEW WORK; REMODELING; & RENOVATIONS

GROUP 1 - Brush; & Roller

GROUP 2 - Sandblasting & Buffing

GROUP 3 - Spray Painting; Closed Steel Above 55 feet; Bridges & Open Structural Steel; Tanks - Water Towers; Bridge Painters; Bridge Riggers; Containment Builders

GROUP 4 - Bridge Blaster

PAINTER CLASSIFICATIONS - COMMERCIAL REPAINT

GROUP 1 - Brush; & Roller

GROUP 2 - Sandblasting & Buffing

GROUP 3 - Spray Painting

* PAIN007-002 07/01/2024

FULTON, HENRY, LUCAS, OTTAWA (Excluding Allen, Bay, Bono, Catawba Island, Clay Center, Curtice, Danbury, Eagle Beach, Elliston, Elmore, Erie, Fishback, Gem Beach & Genova) & WOOD

Rates Fringes

PAINTER

NEW COMMERCIAL WORK		
GROUP 1.....	\$ 31.84	20.79

GROUP 2.....	\$ 32.84	20.79
GROUP 3.....	\$ 32.84	20.79
GROUP 4.....	\$ 32.84	20.79
GROUP 5.....	\$ 32.84	20.79
GROUP 6.....	\$ 32.84	20.79
GROUP 7.....	\$ 32.84	20.79
GROUP 8.....	\$ 32.84	20.79
GROUP 9.....	\$ 32.84	20.79

REPAINT IS 90% OF JR

PAINTER CLASSIFICATIONS

GROUP 1 - Brush; Spray & Sandblasting Pot Tender

GROUP 2 - Refineries & Refinery Tanks; Surfaces 30 ft. or over where material is applied to or labor performed on above ground level (exterior), floor level (interior)

GROUP 3 - Swing Stage & Chair

GROUP 4 - Lead Abatement

GROUP 5 - All Methods of Spray

GROUP 6 - Solvent-Based Catalized Epoxy Materials of 2 or More Component Materials, to include Solvent-Based Conversion Varnish (excluding water based)

GROUP 7 - Spray Solvent Based Material; Sand & Abrasive Blasting

GROUP 8 - Towers; Tanks; Bridges; Stacks Over 30 Feet

GROUP 9 - Epoxy Spray (excluding water based)

PAIN0012-008 05/01/2019

BUTLER COUNTY

	Rates	Fringes
PAINTER		
GROUP 1.....	\$ 21.95	10.20
GROUP 2.....	\$ 25.30	10.20
GROUP 3.....	\$ 25.80	10.20
GROUP 4.....	\$ 26.05	10.20
GROUP 5.....	\$ 26.30	10.20

PAINTER CLASSIFICATIONS

GROUP 1: Bridge Equipment Tender; Bridge/Containment Builder

GROUP 2: Brush & Roller

GROUP 3: Spray

GROUP 4: Sandblasting; & Waterblasting

GROUP 5: Elevated Tanks; Steeplejack Work; Bridge; & Lead Abatement

PAIN0012-010 05/01/2019

BROWN, CLERMONT, CLINTON, HAMILTON & WARREN

	Rates	Fringes
PAINTER		
HEAVY & HIGHWAY BRIDGES- GUARDRAILS-LIGHTPOLES- STRIPING		
Bridge Equipment Tender and Containment Builder....	\$ 21.95	10.20
Bridges when highest point of clearance is 60 feet or more; & Lead Abatement Projects.....	\$ 26.30	10.20
Brush & Roller.....	\$ 25.30	10.20
Sandblasting & Hopper Tender; Water Blasting....	\$ 26.05	10.20
Spray.....	\$ 25.80	10.20

PAIN0093-001 12/01/2023

ATHENS, GUERNSEY, HOCKING, MONROE, MORGAN, NOBLE and WASHINGTON COUNTIES

	Rates	Fringes
PAINTER		
Bridges; Locks; Dams; Tension Towers; & Energized Substations.....	\$ 35.45	23.69
Power Generating Facilities.	\$ 32.30	23.69

PAIN0249-002 05/01/2024

CLARK, DARKE, GREENE, MIAMI, MONTGOMERY & PREBLE

	Rates	Fringes
--	-------	---------

PAINTER

GROUP 1 - Brush & Roller....	\$ 27.15	13.64
GROUP 2 - Swing, Scaffold Bridges; Structural Steel; Open Acid Tank; High Tension Electrical Equipment; & Hot Pipes.....	\$ 27.15	13.64
GROUP 3 - Spray; Sandblast; Steamclean; Lead Abatement.....	\$ 27.90	13.64
GROUP 4 - Steeplejack Work..	\$ 28.10	13.64
GROUP 5 - Coal Tar.....	\$ 28.65	13.64
GROUP 6 - Bridge Equipment Tender & or Containment Builder.....	\$ 35.86	13.64
GROUP 7 - Tanks, Stacks & Towers.....	\$ 31.09	13.64
GROUP 8 - Bridge Blaster, Rigger.....	\$ 38.86	13.64

PAIN0356-002 09/01/2009

KNOX, LICKING, MUSKINGUM, and PERRY

Rates Fringes

PAINTER

Bridge Equipment Tenders and Containment Builders....	\$ 27.93	7.25
Bridges; Blasters; and Riggers.....	\$ 34.60	7.25
Brush and Roller.....	\$ 20.93	7.25
Sandblasting; Steam Cleaning; Waterblasting; and Hazardous Work.....	\$ 25.82	7.25
Spray.....	\$ 21.40	7.25
Structural Steel and Swing Stage.....	\$ 25.42	7.25
Tanks; Stacks; and Towers..	\$ 28.63	7.25

PAIN0438-002 12/01/2023

BELMONT, HARRISON and JEFFERSON COUNTIES

Rates Fringes

PAINTER

Bridges, Locks, Dams, Tension Towers & Energized Substations.....	\$ 36.09	19.49
Power Generating Facilities.	\$ 32.94	19.49

PAIN0476-001 06/01/2024

COLUMBIANA, MAHONING, and TRUMBULL COUNTIES

Rates Fringes

PAINTER

GROUP 1.....	\$ 28.39	17.14
GROUP 2.....	\$ 35.02	17.14
GROUP 3.....	\$ 28.60	17.14
GROUP 4.....	\$ 28.89	17.14
GROUP 5.....	\$ 29.04	17.14
GROUP 6.....	\$ 29.29	17.14
GROUP 7.....	\$ 30.39	17.14

PAINTER CLASSIFICATIONS:

GROUP 1: Painters, Brush & Roller

GROUP 2: Bridges

GROUP 3: Structural Steel

GROUP 4: Spray, Except Bar Joist/Deck

GROUP 5: Epoxy/Mastic; Spray- Bar Joist/Deck; Working Above
50 Feet; and Swingstages

GROUP 6: Tanks; Sandblasting

GROUP 7: Towers; Stacks

PAIN0555-002 11/01/2023

ADAMS, HIGHLAND, JACKSON, PIKE & SCIOTO

Rates Fringes

PAINTER

GROUP 1.....	\$ 32.18	20.29
GROUP 2.....	\$ 33.81	20.29
GROUP 3.....	\$ 35.44	20.29
GROUP 4.....	\$ 38.63	20.29

PAINTER CLASSIFICATIONS

GROUP 1 - Containment Builder

GROUP 2 - Brush; Roller; Power Tools, Under 40 feet

GROUP 3 - Sand Blasting; Spray; Steam Cleaning; Pressure

Washing; Epoxy & Two Component Materials; Lead Abatement; Hazardous Waste; Toxic Materials; Bulk & Storage Tanks of 25,000 Gallon Capacity or More; Elevated Tanks

GROUP 4 - Stacks; Bridges

PAIN0639-001 05/01/2011

	Rates	Fringes
Sign Painter & Erector.....	\$ 20.61	3.50+a+b+c

FOOTNOTES: a. 7 Paid Holidays: New Year's Day; Memorial Day; July 4th; Labor Day; Thanksgiving Day; Christmas Day & 1 Floating Day
 b. Vacation Pay: After 1 year's service - 5 days' paid vacation; After 2, but less than 10 years' service - 10 days' paid vacation; After 10, but less than 20 years' service - 15 days' paid vacation; After 20 years' service - 20 days' paid vacation
 c. Funeral leave up to 3 days maximum paid leave for death of mother, father, brother, sister, spouse, child, mother-in-law, father-in-law, grandparent and inlaw provided employee attends funeral

PAIN0788-002 06/01/2024

ASHLAND, CRAWFORD, ERIE, HANCOCK, HURON, MARION, MORROW, OTTAWA (Allen, Bay, Bono, Catawba Island, Clay Center, Curtice, Danbury, Eagle Beach, Elliston, Elmore, Erie, Fishback, Gem Beach & Genoa), RICHLAND, SANDUSKY, SENECA & WYANDOT

	Rates	Fringes
PAINTER		
Brush & Roller.....	\$ 29.13	17.52
Structural Steel.....	\$ 30.73	17.52

WINTER REPAINT: Between December 1 to March 31 - 90%JR

\$.50 PER HOUR SHALL BE ADDED TO THE RATE OF PAY FOR THE CLASSIFICATION OF WORK:

While working swingstage, boatswain chair, needle beam and horizontal cable. While operating sprayguns, sandblasting, cobblasting and high pressure waterblasting (4000psi).

\$1.00 PER HOUR SHALL BE ADDED TO THE RATE OF PAY FOR THE CLASSIFICATION OF WORK:

For the application of catalized epoxy, including latex epoxy that is deemed hazardous, lead abatement, or for work or material where special precautions beyond normal work duties must be taken. For working on stacks, tanks, and towers over 40 feet in height.

PAIN0813-005 12/01/2008

GALLIA, LAWRENCE, MEIGS & VINTON

	Rates	Fringes
PAINTER		
Base Rate.....	\$ 24.83	10.00
Bridges, Locks, Dams & Tension Towers.....	\$ 27.83	10.00

PAIN0841-001 06/01/2023

MEDINA, PORTAGE (South of and including Ohio Turnpike), and SUMMIT (South of and including Ohio Turnpike) COUNTIES

	Rates	Fringes
Painters:		
GROUP 1.....	\$ 30.18	15.50
GROUP 2.....	\$ 30.83	15.50
GROUP 3.....	\$ 30.93	15.50
GROUP 4.....	\$ 31.03	15.50
GROUP 5.....	\$ 31.43	15.50
GROUP 6.....	\$ 39.20	11.75
GROUP 7.....	\$ 31.68	15.50

PAINTER CLASSIFICATIONS:

GROUP 1 - Brush, Roller & Paperhanger

GROUP 2 - Epoxy Application

GROUP 3 - Swing Scaffold, Bosum Chair, & Window Jack

GROUP 4 - Spray Gun Operator of Any & All Coatings

GROUP 5 - Sandblast, Painting of Standpipes, etc. from Scaffolds, Bridge Work and/or Open Structural Steel, Standpipes and/or Water Towers

GROUP 6 - Public & Commerce Transportation, Steel or Galvanized, Bridges, Tunnels & Related Support Items (concrete)

GROUP 7 - Synthetic Exterior, Drywall Finisher and/or Taper, Drywall Finisher and Follow-up Man Using Automatic Tools

* PAIN0841-002 06/01/2023

CARROLL, COSHOCTON, HOLMES, STARK, TUSCARAWAS & WAYNE

	Rates	Fringes
PAINTER		
Bridges; Towers, Poles & Stacks; Sandblasting Steel; Structural Steel & Metalizing.....	\$ 31.43	15.50
Brush & Roller.....	\$ 30.18	15.50
Spray; Tank Interior & Exterior.....	\$ 31.03	15.50

PAIN1020-002 04/01/2024

ALLEN, AUGLAIZE, CHAMPAIGN, DEFIANCE, HARDIN, LOGAN, MERCER, PAULDING, PUTNAM, SHELBY, VAN WERT, and WILLIAMS COUNTIES

	Rates	Fringes
PAINTER		
Brush & Roller.....	\$ 26.84	17.01
Drywall Finishing & Taping..	\$ 27.59	17.01
Lead Abatement.....	\$ 28.59	17.01
Spray, Sandblasting Pressure Cleaning, & Refinery.....	\$ 27.59	17.01
Swing Stage, Chair, Spiders, & Cherry Pickers...	\$ 27.09	17.01
Wallcoverings.....	\$ 27.59	17.01

All surfaces 40 ft. or over where material is applied to or labor performed on, above ground level (exterior), floor level (interior) - \$.50 premium

Applying Coal Tar Products - \$1.00 premium

PAIN1275-002 05/01/2024

DELAWARE, FAIRFIELD, FAYETTE, FRANKLIN, MADISON, PICKAWAY, ROSS & UNION

	Rates	Fringes
PAINTER		
Bridges.....	\$ 36.26	14.91
Brush; Roller.....	\$ 30.65	14.91
Sandblasting; Steamcleaning; Waterblasting (3500 PSI or Over)& Hazardous Work.....	\$ 31.35	14.91
Spray.....	\$ 31.15	14.91
Stacks; Tanks; & Towers.....	\$ 33.46	14.91
Structural Steel & Swing Stage.....	\$ 29.50	14.91

* PLAS0109-001 06/01/2024

MEDINA, PORTAGE, STARK, and SUMMIT COUNTIES

	Rates	Fringes
PLASTERER.....	\$ 31.70	23.63

* PLAS0109-003 06/01/2024

CARROLL, HOLMES, TUSCARAWAS, and WAYNE COUNTIES

	Rates	Fringes
PLASTERER.....	\$ 31.70	23.63

PLAS0132-002 07/01/2023

BROWN, BUTLER, CLERMONT, HAMILTON, HIGHLAND, WARREN COUNTIES

	Rates	Fringes
PLASTERER.....	\$ 28.40	16.24

PLAS0404-002 05/01/2018

ASHTABULA, CUYAHOGA, GEAUGA, AND LAKE COUNTIES

	Rates	Fringes
PLASTERER.....	\$ 29.63	17.11

PLAS0404-003 05/01/2018

LORAIN COUNTY

	Rates	Fringes
PLASTERER.....	\$ 28.86	17.11

 PLAS0526-022 05/01/2018

COLUMBIANA, MAHONING, and TRUMBULL COUNTIES

	Rates	Fringes
PLASTERER.....	\$ 28.86	17.11

 PLAS0526-023 05/01/2018

BELMONT, HARRISON, and JEFFERSON COUNTIES

	Rates	Fringes
PLASTERER.....	\$ 28.21	17.11

 PLAS0886-001 07/01/2024

FULTON, HANCOCK, HENRY, LUCAS, PUTNAM, and WOOD COUNTIES

	Rates	Fringes
PLASTERER.....	\$ 33.73	23.25

 PLAS0886-003 07/01/2024

	Rates	Fringes
PLASTERER.....	\$ 33.73	23.25

 PLAS0886-004 07/01/2024

	Rates	Fringes
PLASTERER.....	\$ 33.73	23.25

* PLUM0042-002 07/01/2024

ASHLAND, CRAWFORD, ERIE, HURON, KNOX, LORAIN, MORROW, RICHLAND & WYANDOT

	Rates	Fringes
Plumber, Pipefitter, Steamfitter.....	\$ 40.62	25.67

 PLUM0050-002 07/01/2024

DEFIANCE, FULTON, HANCOCK, HENRY, LUCAS, OTTAWA, PAULDING, PUTNAM, SANDUSKY, SENECA, WILLIAMS & WOOD

	Rates	Fringes
Plumber, Pipefitter, Steamfitter.....	\$ 49.70	30.76

 PLUM0055-003 05/01/2024

ASHTABULA, CUYAHOGA, GEAUGA, LAKE, MEDINA (N. of Rte. #18 & Smith Road) & SUMMIT (N. of Rte. #303, including the corporate limits of the city of Hudson)

	Rates	Fringes
PLUMBER.....	\$ 42.36	29.90

 PLUM0083-001 07/01/2023

BELMONT & MONROE (North of Rte. #78)

	Rates	Fringes
Plumber and Steamfitter.....	\$ 35.94	37.35

 PLUM0094-002 05/01/2023

CARROLL (Northen Half), STARK, and WAYNE COUNTIES

	Rates	Fringes
PLUMBER/PIPEFITTER.....	\$ 38.03	23.09

 PLUM0120-002 04/29/2024

ASHTABULA, CUYAHOGA, GEAUGA, LAKE, LORAIN (the C.E.I. Power House in Avon Lake), MEDINA (N. of Rte. #18) & SUMMIT (N. of #303)

	Rates	Fringes
PIPEFITTER.....	\$ 47.07	28.15

 PLUM0162-002 06/01/2024

CHAMPAIGN, CLARK, CLINTON, DARKE, FAYETTE, GREENE, MIAMI, MONTGOMERY & PREBLE

	Rates	Fringes
--	-------	---------

Plumber, Pipefitter,
Steamfitter.....\$ 43.05 27.18

PLUM0168-002 06/01/2023

MEIGS, MONROE (South of Rte. #78), MORGAN (South of Rte. #78)
& WASHINGTON

Rates Fringes

PLUMBER/PIPEFITTER.....\$ 38.95 34.97

PLUM0189-002 06/01/2024

DELAWARE, FAIRFIELD, FRANKLIN, HOCKING, LICKING, MADISON,
MARION, PERRY, PICKAWAY, ROSS & UNION

Rates Fringes

Plumber, Pipefitter,
Steamfitter.....\$ 43.25 26.94

PLUM0219-002 06/01/2024

MEDINA (Rte. #18 from eastern edge of Medina Co., west to
eastern corporate limits of the city of Medina, & on the county
road from the west corporate limits of Medina running due west
to and through community of Risley to the western edge of
Medina County - All territory south of this line), PORTAGE, and
SUMMIT (S. of Rte. #303) COUNTIES

Rates Fringes

Plumber and Steamfitter.....\$ 45.37 27.64

PLUM0392-002 06/01/2024

BROWN, BUTLER, CLERMONT, HAMILTON & WARREN

Rates Fringes

PLUMBER/PIPEFITTER.....\$ 40.65 26.75

PLUM0396-001 06/01/2024

COLUMBIANA (Excluding Washington & Yellow Creek Townships &
Liverpool Twp. - Secs. 35 & 36 - West of County Road #427),
MAHONING and TRUMBULL COUNTIES

Rates Fringes

PLUMBER/PIPEFITTER.....\$ 38.45 28.96

PLUM0495-002 06/01/2024

CARROLL (Rose, Monroe, Union, Lee, Orange, Perry & Loudon
Townships), COLUMBIANA (Washington & Yellow Creek Townships &
Liverpool Township, Secs. 35 & 36, West of County Rd. #427),
COSHOCTON, GUERNSEY, HARRISON, HOLMES, JEFFERSON, MORGAN (South
to State Rte. #78 & from McConelsville west on State Rte. #37
to the Perry County line), MUSKINGUM, NOBLE, and TUSCARAWAS
COUNTIES

Rates Fringes

Plumber, Pipefitter,
Steamfitter.....\$ 37.82 36.70

PLUM0577-002 06/01/2024

ADAMS, ATHENS, GALLIA, HIGHLAND, JACKSON, LAWRENCE, PIKE,
SCIOTO & VINTON

Rates Fringes

Plumber, Pipefitter,
Steamfitter.....\$ 41.65 27.48

PLUM0776-002 07/01/2023

ALLEN, AUGLAIZE, HARDIN, LOGAN, MERCER, SHELBY and VAN WERT
COUNTIES

Rates Fringes

Plumber, Pipefitter,
Steamfitter.....\$ 40.07 28.95

TEAM0377-003 05/01/2024

STATEWIDE, EXCEPT CUYAHOGA, GEAUGA & LAKE

Rates Fringes

TRUCK DRIVER
GROUP 1.....\$ 32.54 16.80
GROUP 2.....\$ 32.96 16.80

TRUCK DRIVER CLASSIFICATIONS

GROUP 1 - Asphalt Distributor; Batch; 4- Wheel Service; 4-Wheel Dump; Oil Distributor & Tandem

GROUP 2 - Tractor-Trailer Combination: Fuel; Pole Trailer; Ready Mix; Semi-Tractor; & Asphalt Oil Spraybar Man When Operated From Cab; 5 Axles & Over; Belly Dump; End Dump; Articulated Dump; Heavy Duty Equipment; Low Boy; & Truck Mechanic

TEAM0436-002 05/01/2024

CUYAHOGA, GEauga & LAKE

	Rates	Fringes
TRUCK DRIVER		
GROUP 1.....	\$ 32.54	16.85
GROUP 2.....	\$ 32.96	16.85

GROUP 1: Straight & Dump, Straight Fuel

GROUP 2: Semi Fuel, Semi Tractor, Euclids, Darts, Tank, Asphalt Spreaders, Low Boys, Carry-All, Tourna-Rockers, Hi-Lifts, Extra Long Trailers, Semi-Pole Trailers, Double Hook-Up Tractor Trailers including Team Track & Railroad Siding, Semi-Tractor & Tri-Axle Trailer, Tandem Tractor & Tandem Trailer, Tag Along Trailer, Expandable Trailer or Towing Requiring Road Permits, Ready-Mix (Agitator or Non-Agitator), Bulk Concrete Driver, Dry Batch Truck, Articulated End Dump

WELDERS - Receive rate prescribed for craft performing operation to which welding is incidental.

** Workers in this classification may be entitled to a higher minimum wage under Executive Order 14026 (\$17.20) or 13658 (\$12.90). Please see the Note at the top of the wage determination for more information. Please also note that the minimum wage requirements of Executive Order 14026 are not currently being enforced as to any contract or subcontract to which the states of Texas, Louisiana, or Mississippi, including their agencies, are a party.

Note: Executive Order (EO) 13706, Establishing Paid Sick Leave for Federal Contractors applies to all contracts subject to the Davis-Bacon Act for which the contract is awarded (and any solicitation was issued) on or after January 1, 2017. If this contract is covered by the EO, the contractor must provide employees with 1 hour of paid sick leave for every 30 hours they work, up to 56 hours of paid sick leave each year. Employees must be permitted to use paid sick leave for their own illness, injury or other health-related needs, including preventive care; to assist a family member (or person who is like family to the employee) who is ill, injured, or has other health-related needs, including preventive care; or for reasons resulting from, or to assist a family member (or person who is like family to the employee) who is a victim of, domestic violence, sexual assault, or stalking. Additional information on contractor requirements and worker protections under the EO is available at <https://www.dol.gov/agencies/whd/government-contracts>.

Unlisted classifications needed for work not included within the scope of the classifications listed may be added after award only as provided in the labor standards contract clauses (29CFR 5.5 (a) (1) (iii)).

The body of each wage determination lists the classification and wage rates that have been found to be prevailing for the cited type(s) of construction in the area covered by the wage determination. The classifications are listed in alphabetical order of "identifiers" that indicate whether the particular rate is a union rate (current union negotiated rate for local), a survey rate (weighted average rate) or a union average rate (weighted union average rate).

Union Rate Identifiers

A four letter classification abbreviation identifier enclosed in dotted lines beginning with characters other than "SU" or "UAVG" denotes that the union classification and rate were prevailing for that classification in the survey. Example: PLUM0198-005 07/01/2014. PLUM is an abbreviation identifier of the union which prevailed in the survey for this classification, which in this example would be Plumbers. 0198 indicates the local union number or district council number where applicable, i.e., Plumbers Local 0198. The next number, 005 in the example, is an internal number used in processing the wage determination. 07/01/2014 is the effective date of the most current negotiated rate, which in this example is July 1, 2014.

Union prevailing wage rates are updated to reflect all rate changes in the collective bargaining agreement (CBA) governing

this classification and rate.

Survey Rate Identifiers

Classifications listed under the "SU" identifier indicate that no one rate prevailed for this classification in the survey and the published rate is derived by computing a weighted average rate based on all the rates reported in the survey for that classification. As this weighted average rate includes all rates reported in the survey, it may include both union and non-union rates. Example: SULA2012-007 5/13/2014. SU indicates the rates are survey rates based on a weighted average calculation of rates and are not majority rates. LA indicates the State of Louisiana. 2012 is the year of survey on which these classifications and rates are based. The next number, 007 in the example, is an internal number used in producing the wage determination. 5/13/2014 indicates the survey completion date for the classifications and rates under that identifier.

Survey wage rates are not updated and remain in effect until a new survey is conducted.

Union Average Rate Identifiers

Classification(s) listed under the UAVG identifier indicate that no single majority rate prevailed for those classifications; however, 100% of the data reported for the classifications was union data. EXAMPLE: UAVG-OH-0010 08/29/2014. UAVG indicates that the rate is a weighted union average rate. OH indicates the state. The next number, 0010 in the example, is an internal number used in producing the wage determination. 08/29/2014 indicates the survey completion date for the classifications and rates under that identifier.

A UAVG rate will be updated once a year, usually in January of each year, to reflect a weighted average of the current negotiated/CBA rate of the union locals from which the rate is based.

State Adopted Rate Identifiers

Classifications listed under the "SA" identifier indicate that the prevailing wage rate set by a state (or local) government was adopted under 29 C.F.R. 1.3(g)-(h). Example: SAME2023-007 01/03/2024. SA reflects that the rates are state adopted. ME refers to the State of Maine. 2023 is the year during which the state completed the survey on which the listed classifications and rates are based. The next number, 007 in the example, is an internal number used in producing the wage determination. 01/03/2024 reflects the date on which the classifications and rates under the "SA" identifier took effect under state law in the state from which the rates were adopted.

----- WAGE DETERMINATION APPEALS PROCESS

1.) Has there been an initial decision in the matter? This can be:

- * an existing published wage determination
- * a survey underlying a wage determination
- * a Wage and Hour Division letter setting forth a position on a wage determination matter
- * a conformance (additional classification and rate) ruling

On survey related matters, initial contact, including requests for summaries of surveys, should be with the Wage and Hour National Office because National Office has responsibility for the Davis-Bacon survey program. If the response from this initial contact is not satisfactory, then the process described in 2.) and 3.) should be followed.

With regard to any other matter not yet ripe for the formal process described here, initial contact should be with the Branch of Construction Wage Determinations. Write to:

Branch of Construction Wage Determinations
Wage and Hour Division
U.S. Department of Labor
200 Constitution Avenue, N.W.
Washington, DC 20210

2.) If the answer to the question in 1.) is yes, then an interested party (those affected by the action) can request review and reconsideration from the Wage and Hour Administrator (See 29 CFR Part 1.8 and 29 CFR Part 7). Write to:

Wage and Hour Administrator
U.S. Department of Labor
200 Constitution Avenue, N.W.
Washington, DC 20210

The request should be accompanied by a full statement of the interested party's position and by any information (wage payment data, project description, area practice material, etc.) that the requestor considers relevant to the issue.

3.) If the decision of the Administrator is not favorable, an interested party may appeal directly to the Administrative Review Board (formerly the Wage Appeals Board). Write to:

Administrative Review Board
U.S. Department of Labor
200 Constitution Avenue, N.W.

Washington, DC 20210

4.) All decisions by the Administrative Review Board are final.

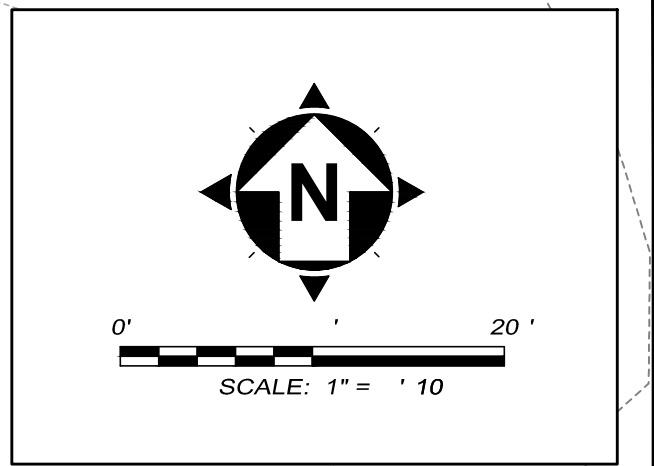
=====

END OF GENERAL DECISION"

FUELING EQUIPMENT LIST

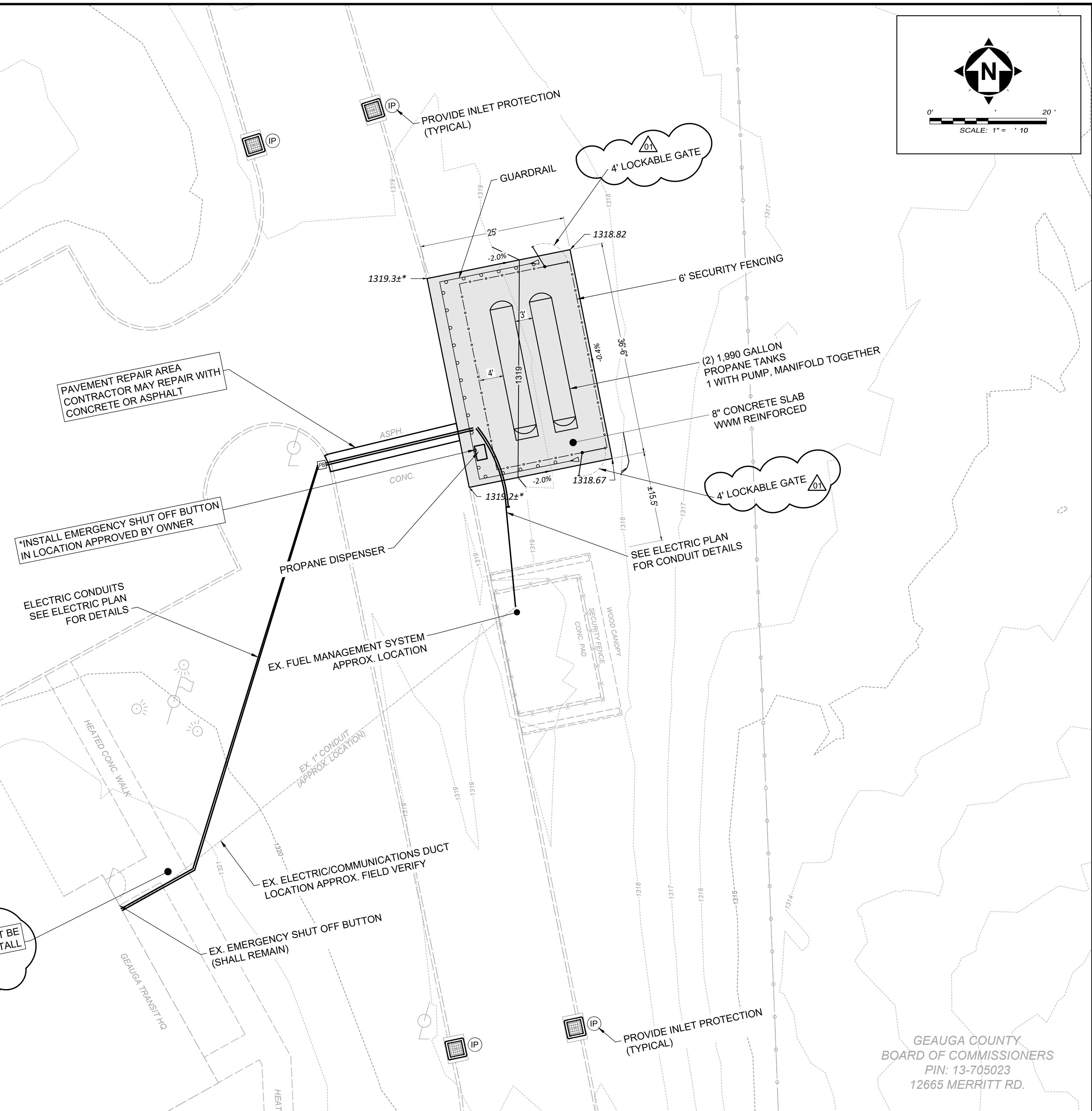
PROPANE:		
ITEM	DESCRIPTION	MODEL
TANK WITH PUMP	1990 GALLON TANK, 3HP MOTOR WITH RC-20 PUMP ON STEEL SKID	SUPERIOR ENERGY: PAFD-1D-1990 OR APPROVED EQUAL
TANK SKID PACKAGE	1990 GALLON TANK, PIPING AND STEEL SKID	SUPERIOR ENERGY: PAFD-PT-1990 OR APPROVED EQUAL
DISPENSER	PRO-VEND 1000 SINGLE HOSE UNIT WITH ENDRESS+HAUSER METER	SUPERIOR ENERGY: PAFD-01EH OR APPROVED EQUAL

FUEL MANAGEMENT:		
ITEM	DESCRIPTION	MODEL
EX. FM CONSOLE	OPW FUEL ISLAND TERMINAL	PETRO VEND PV200 FUEL CONTROL SYSTEM



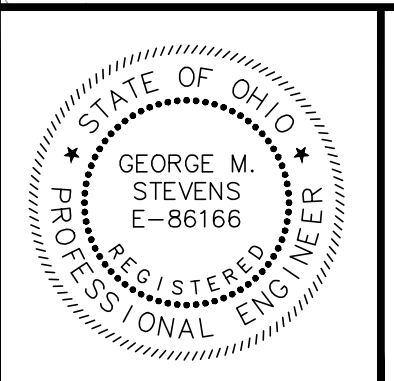
- CONSTRUCTION PHASING NOTES**
TO MINIMIZE THE FUELING DOWNTIME, CONTRACTOR SHALL:
- 1) MAINTAIN ACCESS TO EXISTING EQUIPMENT AT ALL TIMES
 - 2) CONSTRUCT 8" CONCRETE PAD FOR PROPANE TANKS
 - 3) INSTALL NEW PROPANE TANKS, & DISPENSER
 - 4) PREPARE CONNECTION OF DISPENSER TO EXISTING FUEL MANAGEMENT CONSOLE TO MINIMIZE ANY FUELING DOWNTIME DURING THE FINAL CONNECTION.

- NOTES:**
- GENERAL:
1. THE BASE MAP WAS DRAWN FROM ORTHOGRAPHIC IMAGERY DATED 03/08/23 BY NEARMAP.
 2. THE INSTALLATION SHALL CONFORM TO THE FOLLOWING CODES: ASME B16.5, ASME B16.9, ASME B16.11, ASME B16.34, ASME B36.10M, NFPA 30 (2021 EDITION), NFPA 30A (2021 EDITION), NFPA 70 (2021 EDITION).
 3. ALL APPLICABLE RULES AND REGULATIONS OF NFPA 30 AND 30A FOR LEAK DETECTION MUST BE FOLLOWED.
 4. A COMPONENT SELECTION LIST WILL BE SUBMITTED BY THE CONTRACTOR FOR APPROVAL BEFORE INSTALLATION.
 5. NEW EQUIPMENT SHALL BE INTEGRATED INTO THE EXISTING FUEL MANAGEMENT SYSTEM.
 6. AN EMERGENCY SHUT OFF BUTTON SHALL BE PLACED NEAR THE TANK INSTALLATION IN A SUITABLE LOCATION APPROVED BY OWNER.
- TANK SYSTEM AND FOUNDATION:
7. THE AREA ADJACENT TO THE TANK SHALL BE GRADED SO THAT SPILLED PRODUCT WILL NOT ENTER CATCH BASINS OR OTHER NEARBY UNDERGROUND STRUCTURES.
 8. FIRE EXTINGUISHERS SHALL BE PROVIDED AT THE STORAGE TANK IN ACCORDANCE WITH NFPA 30.
 9. REDUCTION IN SIZING OF THE EMERGENCY VENTS SHALL NOT BE PERMITTED.
 10. ASSUME THAT SOIL BEARING PRESSURE IS A MINIMUM OF 3,000PSF.
 11. THE PROPANE TANK SYSTEM SHALL BE MANIFOLDED TOGETHER TO UTILIZE 1 PUMP.
 12. 6" CHAIN LINK SECURITY FENCING WITH LOCKABLE 6" SLIDING GATES SHALL BE PLACED AROUND THE TANKS. FENCING SHALL BE MOUNTED TO THE CONCRETE PAD PER DETAIL.
- PIPING:
13. ALL OF THE ABOVE GROUND PIPING SHALL BE 2" SCH. 40 SEAMLESS CARBON STEEL, CONFORMING TO ASTM 106 GRADE B. ANY BELOW GROUND PIPING SHALL BE 2" XP-200-SC APT PIPING.
 14. HORIZONTAL BURIED FUEL PIPING, IF NEEDED, SHALL BE SLOPED WITH A DOWNWARD GRADE OF NOT LESS THAN 1/8TH INCH PER FOOT OF RUN FROM DISPENSER SUMPS TOWARD THE PIPING TRANSITION SUMP NEAR THE AST.
 15. PRODUCT LINE AND VAPOR LINE FLEX HOSES SHALL BE FIREFLEX FRP, EACH WITH A 2" BONDED FRP FITTING.
 16. CERTIFICATION FROM MANUFACTURER FOR INSTALLING UNDERGROUND PIPING SHALL BE SUBMITTED BY CONTRACTOR PRIOR TO INSTALLATION.
 17. A SHEAR VALVE WILL BE EQUIPPED ON THE INLET TO THE DISPENSER. THIS VALVE WILL BE A FRANKLIN FUELING MODEL 662501902 OR APPROVED EQUAL.
 18. THE TRANSITION SUMP, IF NEEDED, SHALL BE A FRANKLIN FUELING MODEL AST-2922 OR APPROVED EQUAL.
 19. CONTINUOUS LEAK MONITORING IS REQUIRED IN THE TRANSITION SUMP FOR METAL PIPE TO FRP CONNECTIONS.
- DISPENSERS:
20. SYSTEM SHALL BE COMPRISED OF ONE, 1 HOSE PROPANE AUTOGAS DISPENSER.
 21. SINGLE HOSE AUTOGAS DISPENSER SHALL BE A SUPERIOR ENERGY MODEL PAFD-01EH OR APPROVED EQUAL.
 22. DISPENSER SHALL BE EQUIPPED WITH PULSE OUTPUT COMPATIBLE WITH EXISTING OPW PETRO VEND PV200 FUEL CONTROL SYSTEM.
 23. FIRE EXTINGUISHERS SHALL BE PROVIDED AT THE DISPENSERS IN ACCORDANCE WITH NFPA 30.
 24. DISPENSER HOSE WILL BE FRANKLIN FUELING 8-1/2' LENGTH, 3/4" STANDARD HEAVY HOSE OR APPROVED EQUAL.
 25. DISPENSER HOSE WILL BE EQUIPPED WITH A 3/4" BREAKAWAY FRANKLIN FUELING MODEL 69713701 OR APPROVED EQUAL.
 26. NOZZLE SHALL BE ROBUST ELAFLEX GASGUARD STYLE OR APPROVED EQUAL.



GEAUGA COUNTY
BOARD OF COMMISSIONERS
PIN: 13-705022
12555 MERRITT RD.

GEAUGA COUNTY
BOARD OF COMMISSIONERS
PIN: 13-705023
12665 MERRITT RD.



NO	REVISION	DATE
01	ADDENDUM #1 - MULTIPLE UPDATES	8-2-24

GEAUGA TRANSIT
PROPANE & FUELING INFRASTRUCTURE
12555 MERRITT RD., CHARDON, OH 44024
GEAUGA COUNTY, OHIO

ISSUED FOR: BID SET - REBID
ISSUE DATE: 7-16-2024
SCALE: AS SHOWN
DESIGNED BY: PJF/GMS
DRAWN BY: GMS
CHECKED BY: PJF

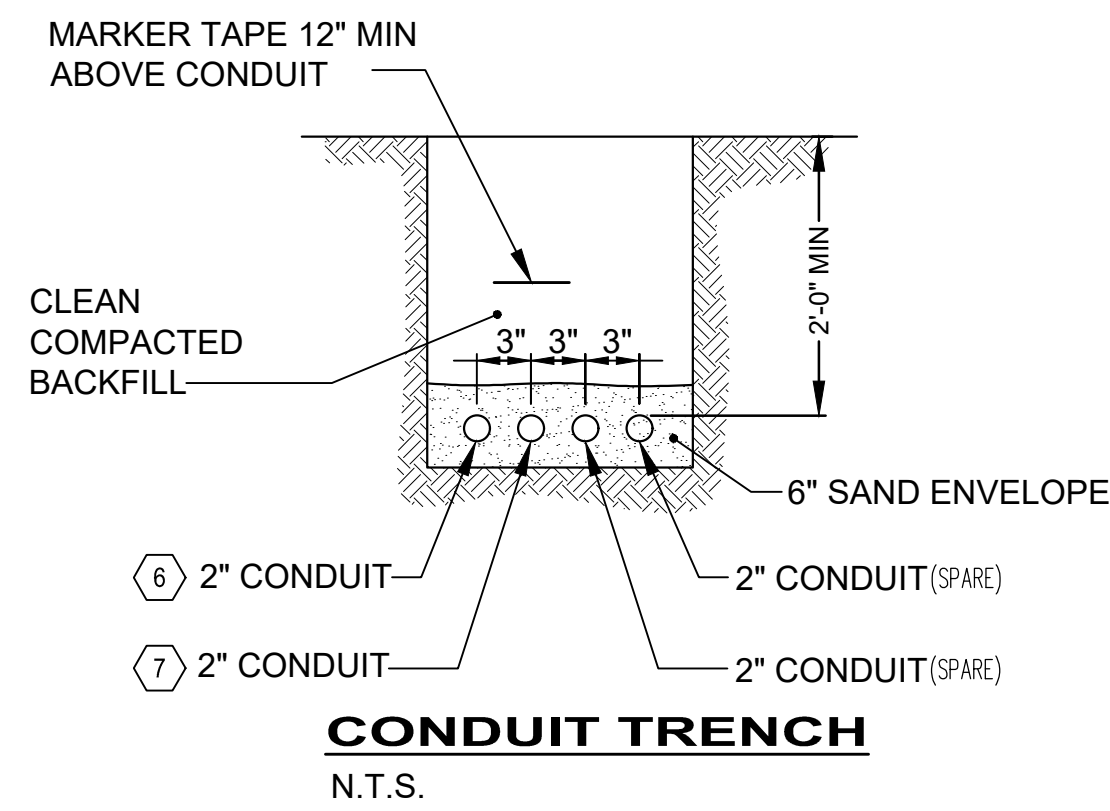
SITE LAYOUT & GRADING

PROJECT NO.	241176
DISCIPLINE	CIVIL
SHEET NAME	C-2
SHEET	OF
04	7

H:\0204\1176\DWG\SHETC_C-21176 - SITE DWG - 04 - 1/26/2024 1:55:58 PM - GEORGE STEVENS

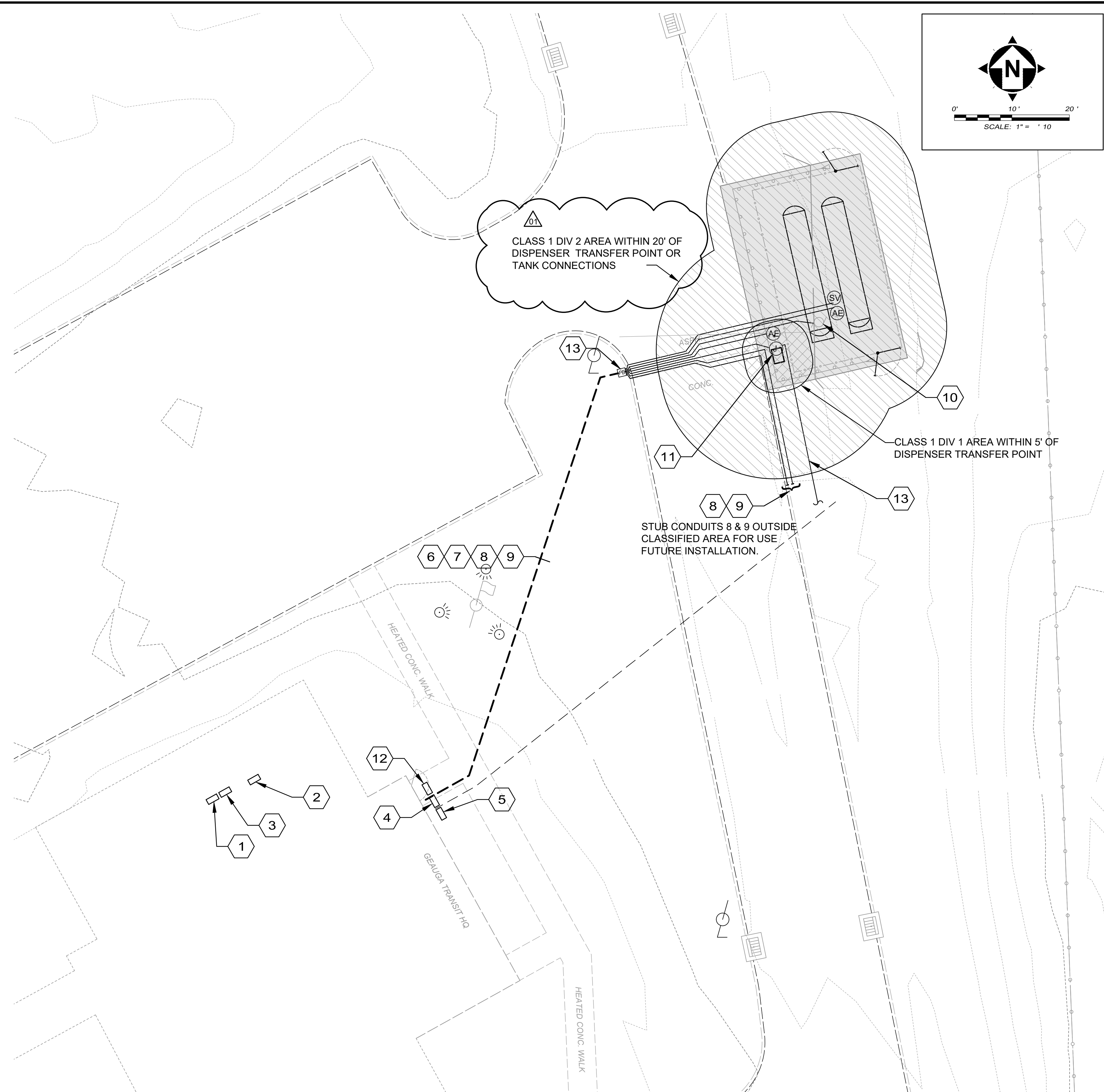
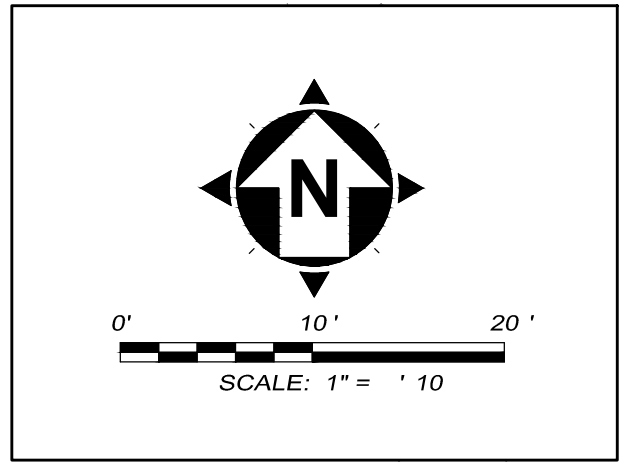
X CODED NOTES:

1. EXISTING 120/240V, 1Ø DISTRIBUTION PANEL WITH NEW CIRCUIT BREAKERS AS REQUIRED
2. NEW PROPANE PUMP MOTOR STARTERS, GAS DETECTOR MONITOR, AND GASOLINE SYSTEM CONTROL PANEL TO BE WALL MOUNTED IN THE EXISTING BUILDING NEAR THE EXISTING PANEL EMDP. DETERMINE EXACT LOCATION IN FIELD.
3. NEW 120/240V DISTRIBUTION PANEL LOCATED APPROXIMATELY 3' DUE WEST FROM THE EXISTING PANEL. VERIFY SPARE CAPACITY AND PROVIDE NEW CIRCUIT BREAKERS AS REQUIRED.
4. NEW NEMA 4X SS SURFACE MOUNTED PULL BOX FOR POWER WIRING TO THE NEW FUEL STATION AREA. SIZE PULL BOX PER NEC. LOCATE ON THE EXTERIOR WALL OF THE BUILDING. EXTEND CONDUIT AND WIRE FROM THIS BOX TO PANELS AND STARTERS INSIDE THE BUILDING. SEAL ALL BUILDING PENETRATIONS.
5. NEW NEMA 4X SS SURFACE MOUNTED PULL BOX FOR CONTROL/NETWORK WIRING TO THE NEW FUEL STATION ISLAND. 24"X36"X8" MINIMUM. LOCATE ON THE EXTERIOR WALL OF THE BUILDING. EXTEND CONDUIT AND WIRE FROM THIS BOX TO PANELS INSIDE THE BUILDING AS NOTED. STUB CONDUITS LISTED AS SPARE INTO THE BUILDING AND TO ABOVE THE EXISTING CEILING. SEAL ALL ENVELOPE PENETRATIONS.
6. (2) #8 & (1) #8 GND 1 1/2" C FOR PROPANE PUMP POWER.
7. (12) #10, (1) #10 GND & (1) #10 ISO GND 1 1/2" C FOR DISPENSING STATION POWER/ CONTROL. VERIFY ALL WIRING REQUIREMENTS WITH THE SYSTEM SUPPLIERS.
8. 1 1/2" C FOR FUTURE.
9. 1 1/2" C. SPARE.
10. LIQUID PROPANE FUEL PUMP MOTOR LOCATED IN CLASS 1, DIVISION 1 HAZARDOUS AREA. PROVIDE (2) #8 & (1) #8 GND IN 1" RGS UNDERGROUND CONDUIT. INSTALL EXPLOSION PROOF SEAL OFF FITTING BETWEEN THE UNDERGROUND CONDUIT RUN AND THE MOTOR. VERIFY REQUIREMENTS WITH THE EQUIPMENT SUPPLIER.
11. LIQUID PROPANE DISPENSING STATION, PROVIDED WITH AN EXPLOSION PROOF JUNCTION BOX. LOCATED IN CLASS 1, DIVISION 1 HAZARDOUS AREA. PROVIDE (3) #12, (1) #12 GND & (1) #12 ISO GND IN 1" RGS UNDERGROUND CONDUIT. INSTALL EXPLOSION PROOF SEAL OFF FITTING BETWEEN THE UG CONDUIT AND THE J-BOX. WIRE PER EQUIPMENT SUPPLIER'S DRAWINGS. VERIFY POWER AND INSTRUMENTATION WIRING REQUIREMENTS WITH THE EQUIPMENT SUPPLIER. PROVIDE ONE ADDITIONAL 1" RGS CONDUIT BETWEEN THE STATION AND THE NEW BOOTH, CAPPED ABOVE GROUND FOR FUTURE CONNECTION TO NEW FMS SYSTEM.
12. EMERGENCY SHUT DOWN BUTTON(S) PER NFPA. WIRE PER EQUIPMENT SUPPLIER'S DRAWINGS, SEE FUELING SYSTEM MANUFACTURERS DRAWINGS FOR ADDITIONAL INFORMATION.
13. INGROUND PRECAST POLYMER CONCRETE PULL-BOX, OUTSIDE OF THE NEC HAZARDOUS AREAS, PROTECTED FROM TRAFFIC BY GUARDRAIL. BOX SHALL BE INSTALLED ON 6" OF CRUSHED STONE, COVER SHALL BE FLUSH WITH THE PAVEMENT AROUND IT AND STAMPED WITH THE WORD "COMMUNICATIONS". MINIMUM SIZE - 24"X36"X18" DEEP, MINIMUM TIER 15. PROVIDE (2) 2" CONDUITS BETWEEN THIS BOX AND THE NEW PULL-BOX ON THE EXISTING BUILDING.
14. 1 1/2" CONDUIT WITH CIRCUITS TO PROPANE DISPENSER FROM EXISTING FUEL MANAGEMENT SYSTEM. INSTALL EXPLOSION PROOF SEAL OFF FITTING BETWEEN THE UG CONDUIT AND THE J-BOX. WIRE PER EQUIPMENT SUPPLIER'S DRAWINGS. VERIFY POWER AND INSTRUMENTATION WIRING REQUIREMENTS WITH THE EQUIPMENT SUPPLIER.



GENERAL NOTES:

1. ALL EXISTING EQUIPMENT LOCATIONS ARE APPROXIMATE. VERIFY LOCATIONS AND SPARE CAPACITY IN FIELD PRIOR TO BID.
2. FOR THE PROPANE AND GASOLINE DISPENSING SYSTEMS AND ANCILLARY DEVICES - VERIFY SYSTEM CONTROL, INTERCONNECTION, ALARM AND MONITORING WIRING WITH THE SYSTEM SUPPLIERS. INCLUDE IN BID ALL COSTS FOR ADDITIONAL CONDUIT AND WIRE REQUIRED, INCLUDING FOR ANY ADDITIONAL DEVICES THAT MAY BE NOT SHOWN ON THIS DRAWING.



NO	REVISION	DATE
01	ADDENDUM #1 - DIVISION 2 AREA UPDATE	8-2-24

GEAUGA TRANSIT
PROPANE & FUELING INFRASTRUCTURE
 12555 MERRITT RD., CHARDON, OH 44024
 GEAUGA COUNTY, OHIO

ISSUED FOR: BID SET - REBID
 ISSUE DATE: 7-16-2024
 SCALE: AS SHOWN
 DESIGNED BY: ELE
 DRAWN BY: ELE
 CHECKED BY: PJF

ELECTRIC PLAN

PROJECT NO.		241176
DISCIPLINE		ELEC.
SHEET NAME		ELEC-1
SHEET	OF	
06	7	