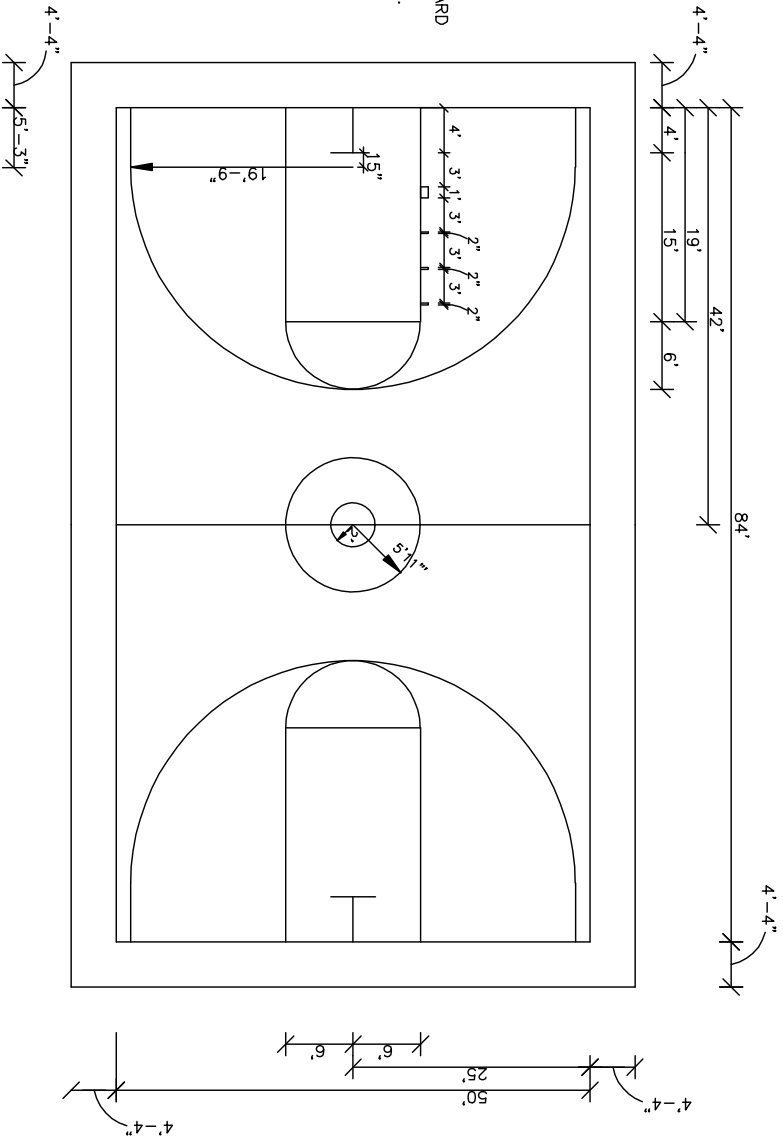




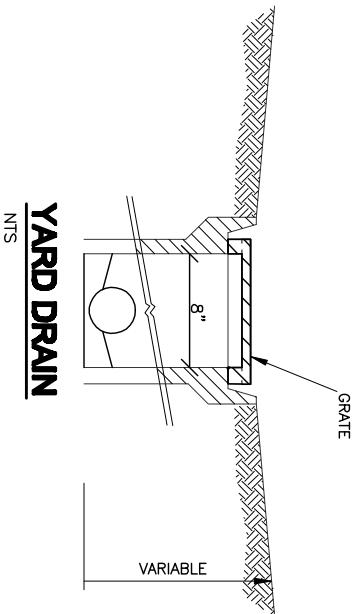
**CT Consultants**  
 engineers | architects | planners

5150 Scripps Court, Columbus, Ohio 43240  
 614.951.9900 www.ctconsultants.com

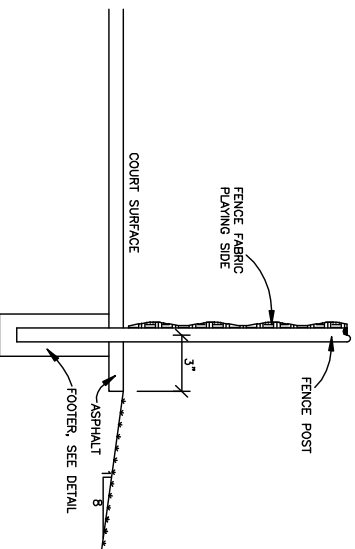
BASKETBALL POST, BACKBOARD AND GOAL - 2 PER FULL COURT, SEE SPECIFICATIONS. INSTALL AS PER MANUFACTURER'S INSTRUCTIONS.  
 ALL LINES 2" WIDE UNLESS OTHERWISE NOTED



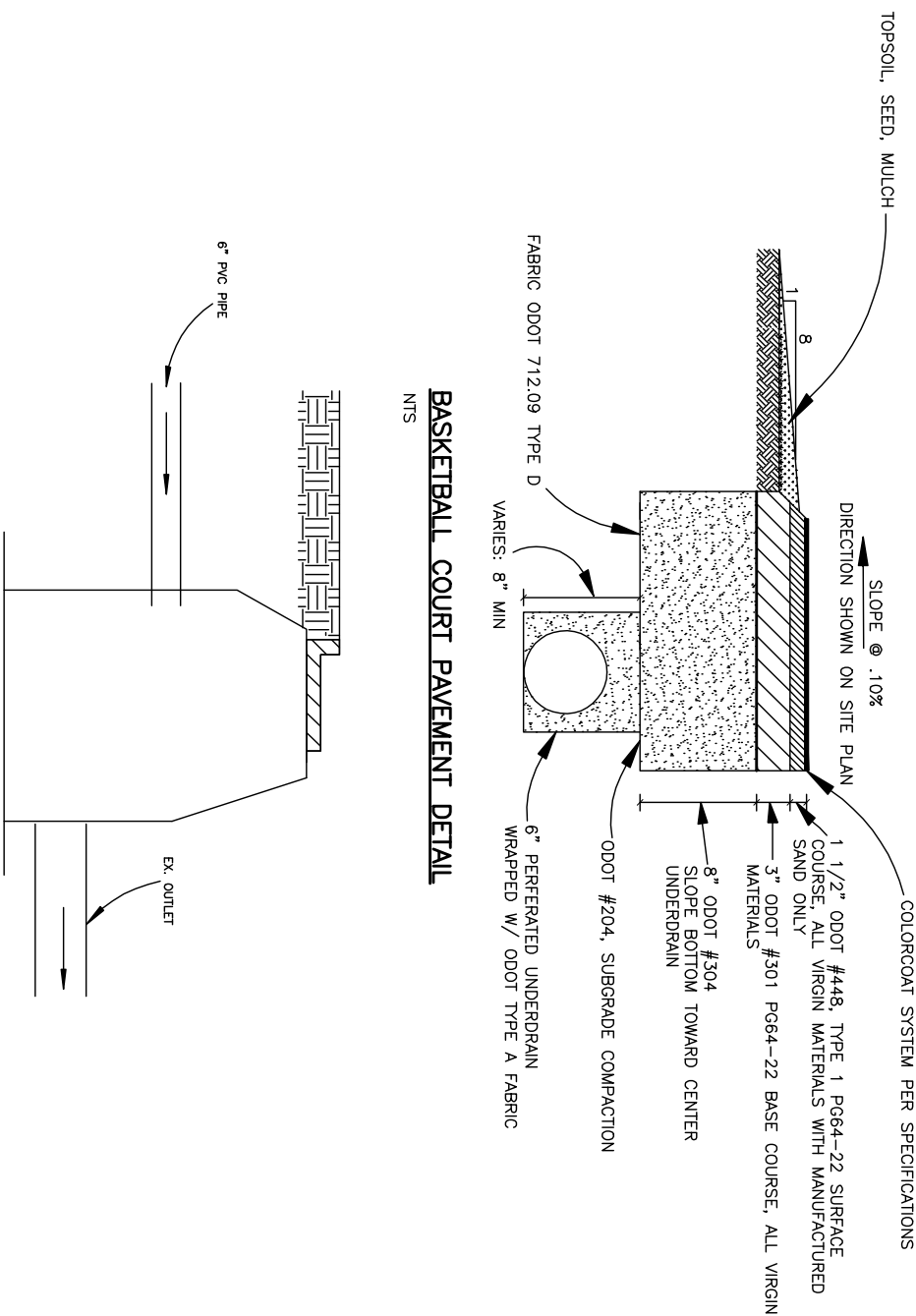
**BASKETBALL COURT LAYOUT**  
 NTS



**YARD DRAIN**  
 NTS

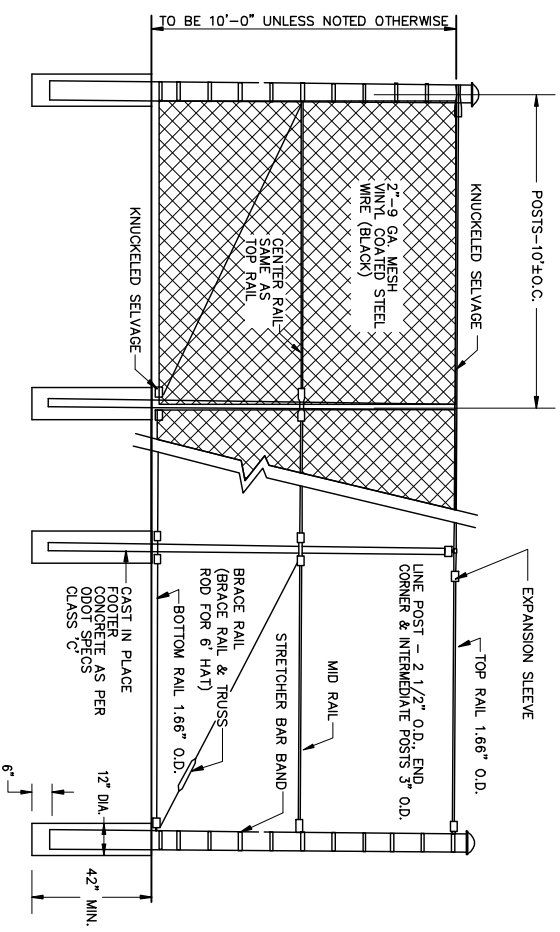


**ASPHALT EDGE AT FENCE LINE**  
 NTS



**BASKETBALL COURT PAVEMENT DETAIL**  
 NTS

**CONNECTION TO EXISTING INLET**  
 NTS



**CHAIN LINK FENCE DETAIL**  
 NTS

- NOTES:
1. CONCRETE SHALL CONFORM TO ODOT ITEM #499
  2. SEE SPECS FOR ADDITIONAL INFORMATION
  3. FABRIC INSTALLED TOWARD COURTS

REV. NO.	DESCRIPTION	DATE	BY	CHK'D.

**CITY OF EUCLID**  
**MEMORIAL PARK**  
**BASKETBALL COURT IMPROVEMENTS**  
**CUYAHOGA COUNTY, OHIO**

DATE: 9/21/12  
 DRAWN BY: \_\_\_\_\_  
 CHECKED BY: \_\_\_\_\_  
 APPROVED BY: \_\_\_\_\_  
 F.B. No. \_\_\_\_\_

**LAYOUT AND DETAILS**

SCALE	
HOR.	NTS
VERT.	NTS
CONTRACT NO.	
12331	
SHEET NO.	OF
3	3